

A L

B

M I L A N O 1 9 6 4

E D



Our DNA is made up of production,
technical capability,
and attention to detail

In essence, we are an engineering company that works with aluminium, in which technical skills become strategic for ensuring reliable, high quality service for any project. This brand makes design, exclusivity, and attention to detail its distinctive character and, thanks to a well organised, collaborative and dynamic team, we develop solutions to suit the project.

Albed's mission

To be the best exponents of technical solutions
for interior architecture.

The Albed product system

A complete system of technical solutions, serving the designer

Hinged, pocket, and sliding doors; partition walls; walk-in closets; boiserie and furnishing accessories: all our products are entirely Made in Italy, using very high quality raw materials that are 100% recyclable.

We are a production company, and we're proud of it, because that's our strength. Our technology, know-how, and in-house management of the production cycle, make it possible for us to create highly personalised products, and to offer a "made to measure" service for every design need.





Albed's history

Aluminium and glass accessories and systems since 1964

Albed's history began in Milan in 1964, under the name Boccolini & Delmonte, producing high quality aluminium furnishing accessories, featuring sought-after Italian design. In 1983, the new head office was built in Nova Milanese, to house the growing operations unit and machinery, as well as the new in-house galvanic corrosion division.

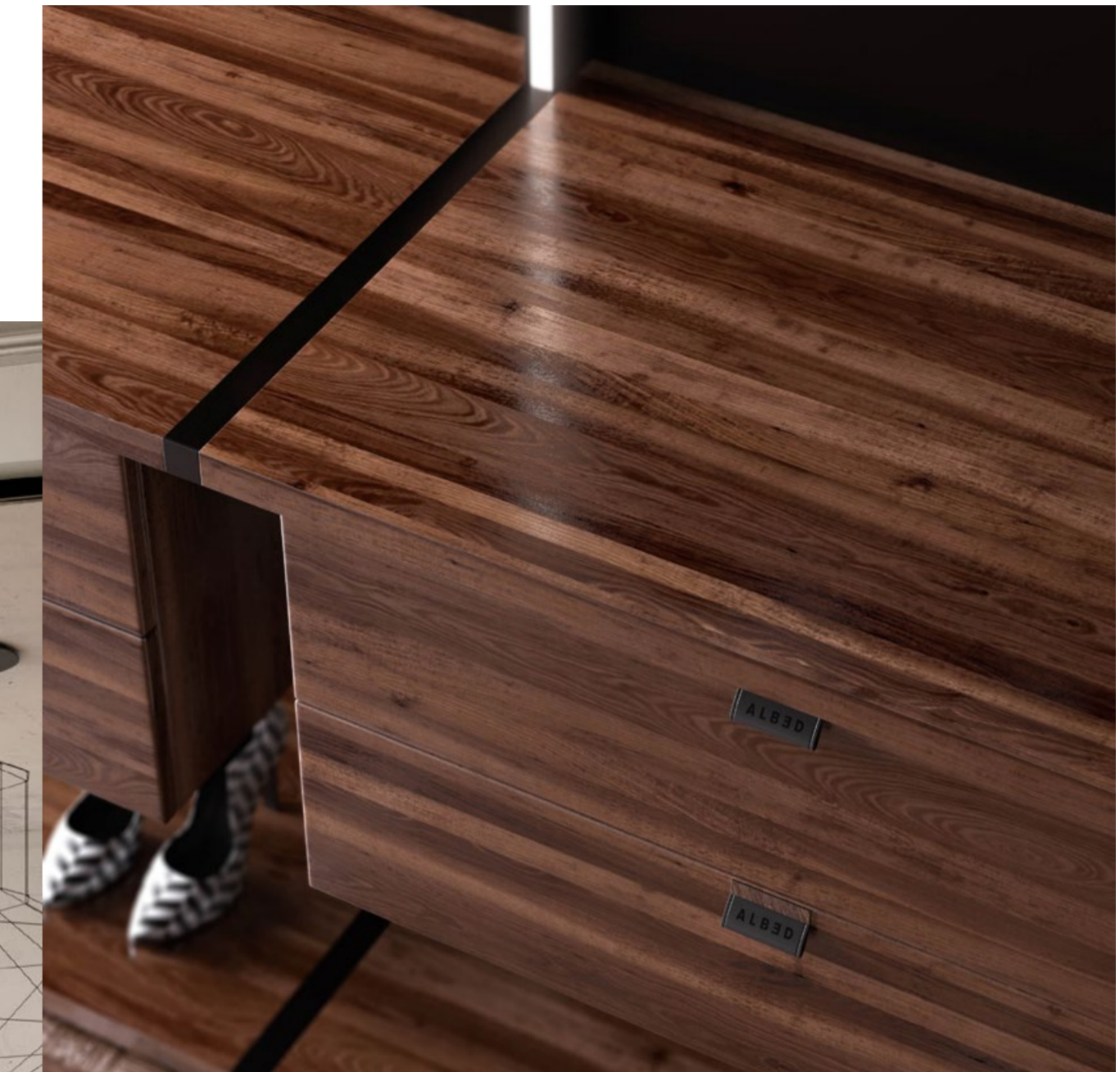
In 1996, with a new company structure and name, Delmonte srl, the production of furnishing accessories was expanded to include a larger range and door and partition systems for spaces. From the Delmonte family's point of view, this gave rise to offering aluminium and glass technical solutions for interior architecture, under the Albed brand.

ALBED
MILANO 1964

Technologies and materials

ALUMINIUM
GLASS
WOOD

Quality materials, recyclable materials.
Our products are made entirely in Italy, using raw materials that allow us to protect nature even before our processes begin. Sustainability is in our DNA, just like aluminium and glass, which are outstandingly eco-friendly materials because they are 100% recyclable.





We have obtained FSC®, Forest Stewardship Council® certification that, along with the intrinsic properties of glass and aluminium, can contribute towards acquiring LEED credits and the main certification systems for energy efficiency and the environmental impact of buildings.



Extruded aluminium with UNI EN AW-6060 alloy that conforms to the UNI EN 755 standard. Anodising treatment in conformity to the UNI 10681 standard. Powder coating in conformity to the UNI 12206 standard.



We only use safety glass that conforms to the UNI EN 12150 and UNI EN ISO 12543 standards.

The product system

We have rethought the path of choosing the product, according to the design needs and the new company mission: to be the best interpreter. We have traced this path following three questions that propose a new approach to defining the door.

1. What solution are you looking for?
2. How does the solution integrate into the project?
3. What is the aesthetic of the product?

The product system

Types of Albed doors and walls systems according to the product system



Hinged door and frame



Flush hinged door



Flush-effect hinged door



Hinged, without basic door frame



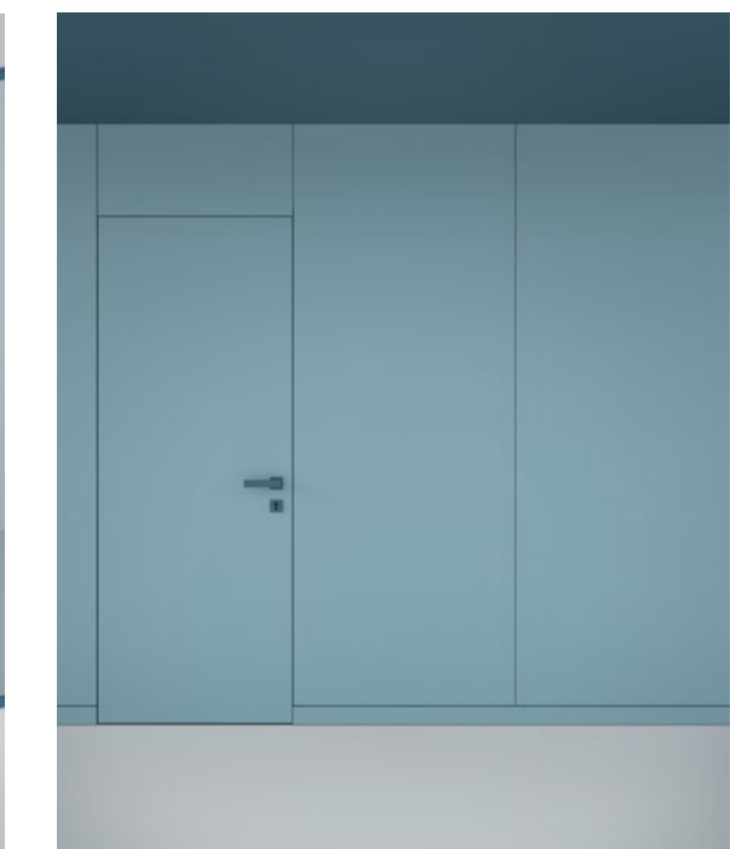
Pocket door



Sliding



Partition wall



Boiserie

ALBED
MILANO 1954

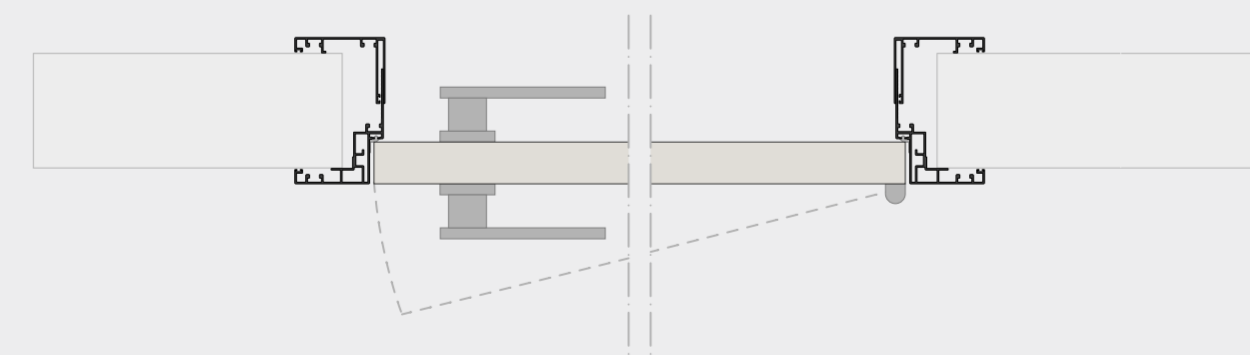




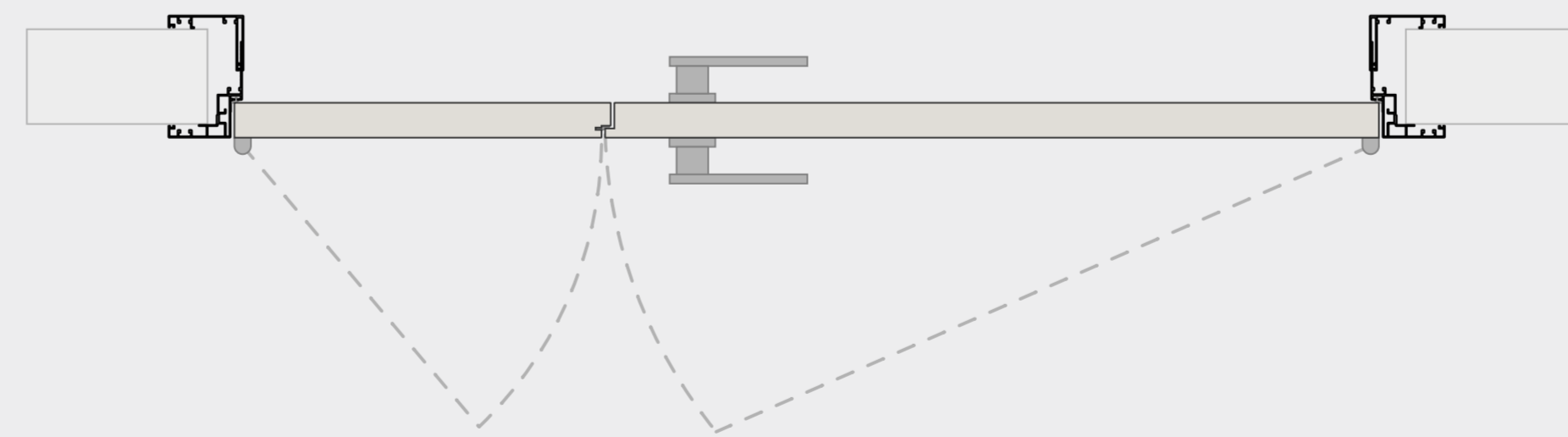
Typology

HINGED DOOR AND FRAME

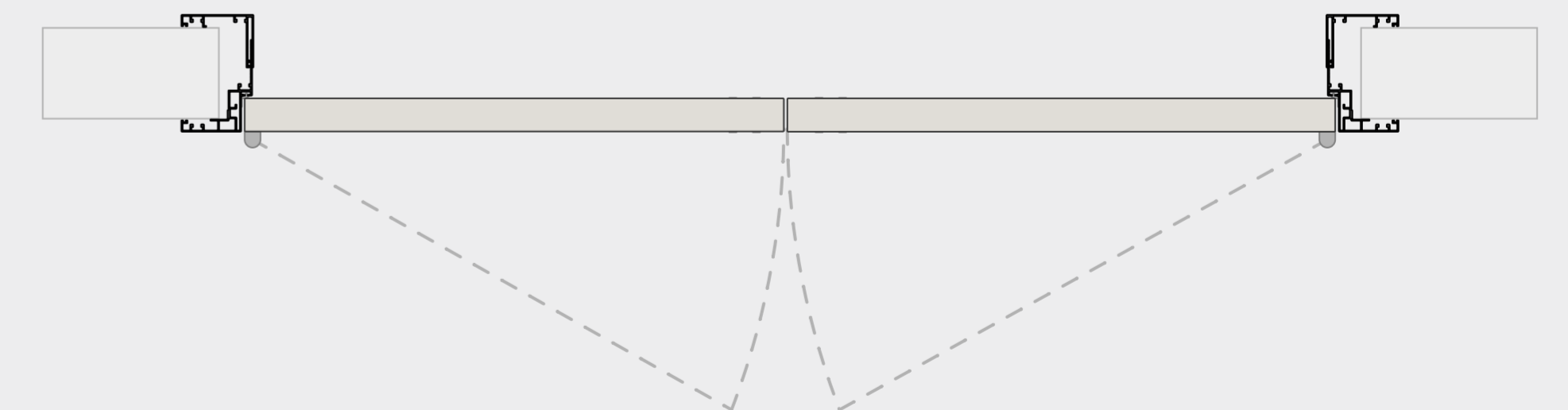
The “hinged door and frame” is the traditional door par excellence. It can be single or double, with push or pull opening. The jambs and finishing lists can also be personalised to suit design needs.



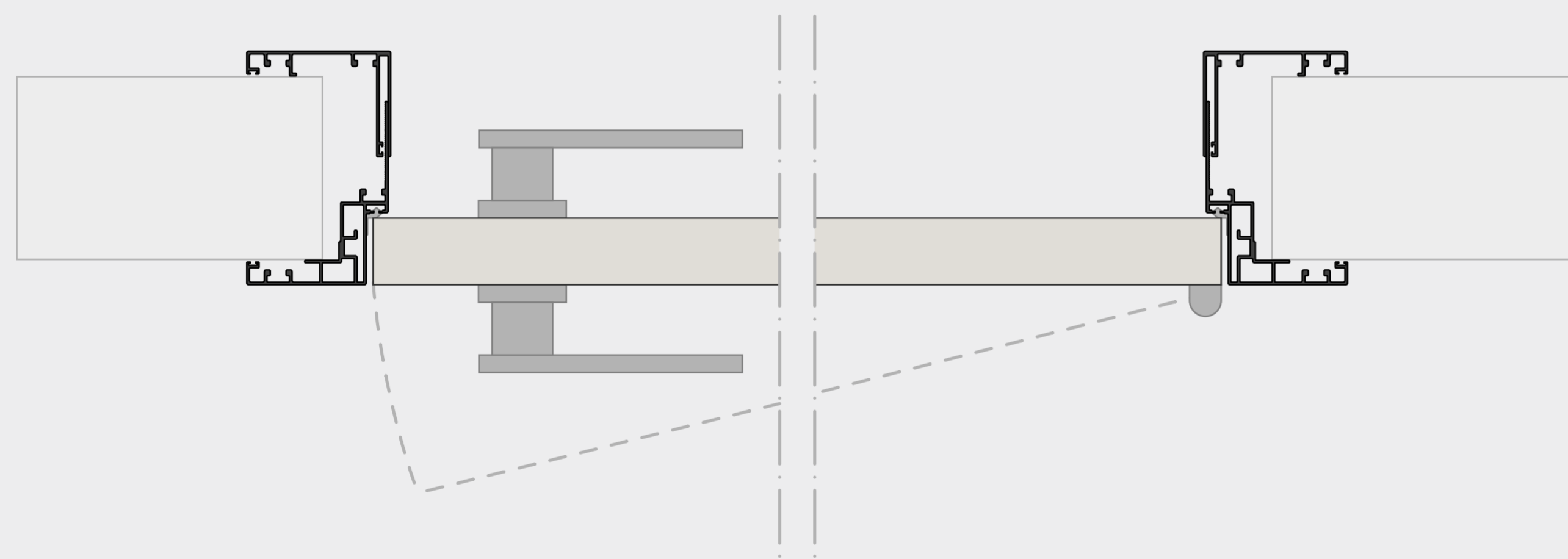
Single door to pull



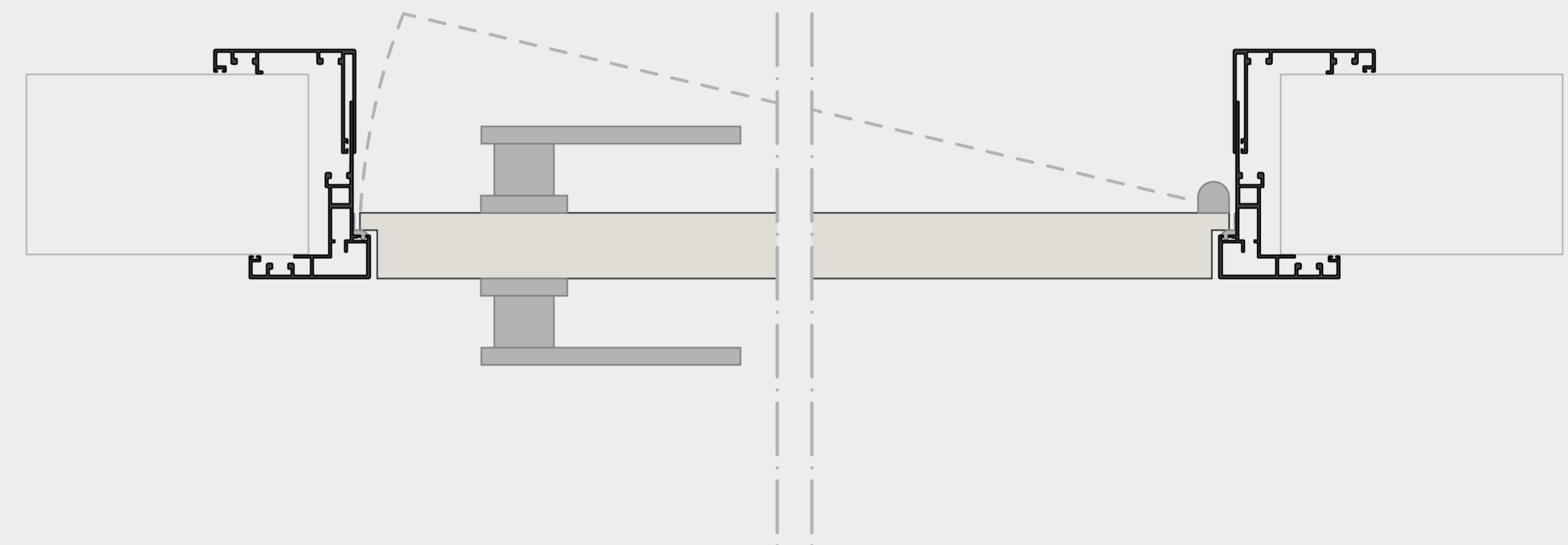
Asymmetrical double door to pull



Simmetrical double door to pull



Hinged door to pull



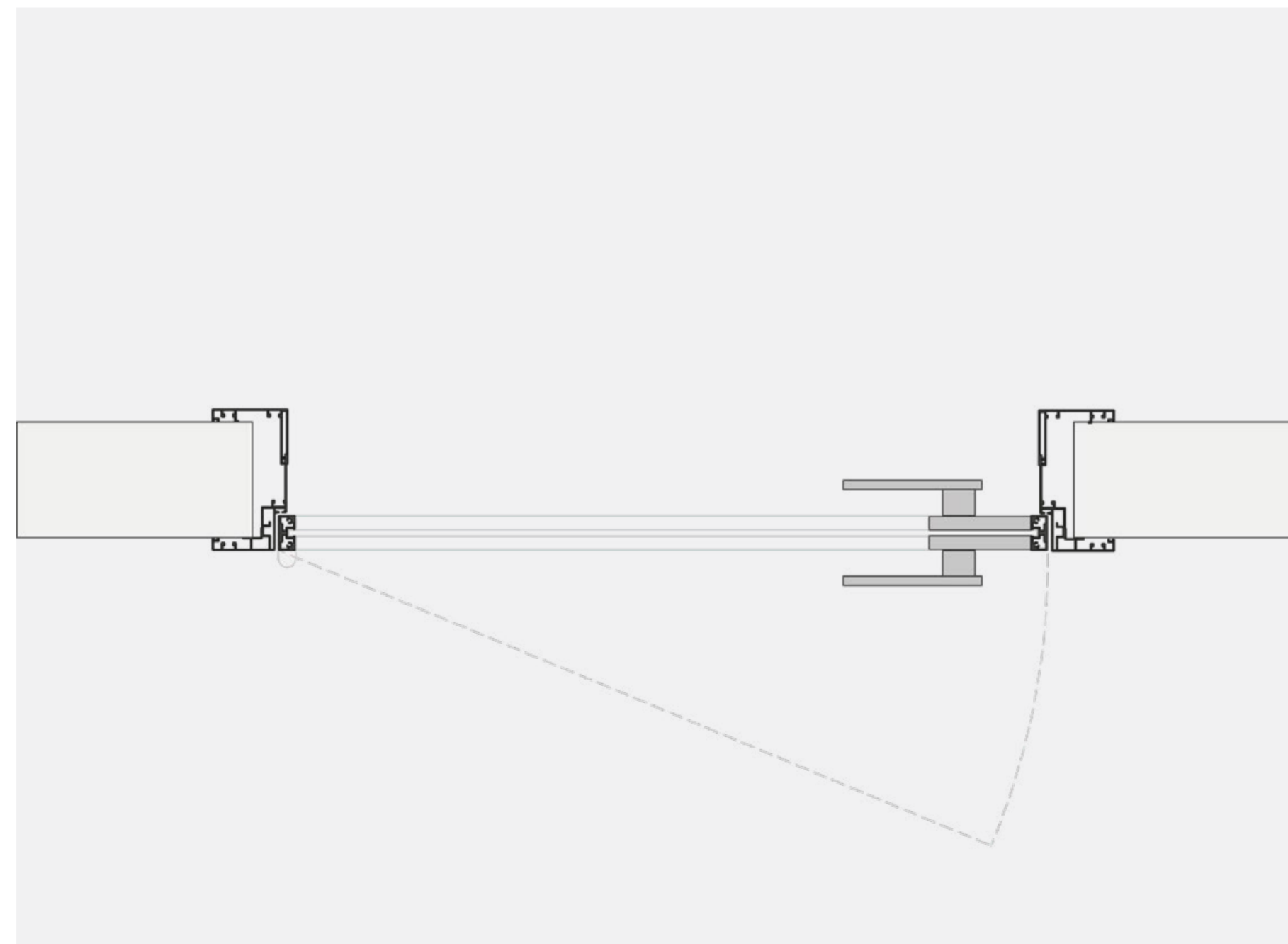
Hinged door to push



Jamb

JAMB 45°

The aluminium jamb cut at 45° is the minimal solution that involves technical precision and attention to detail, when it comes to classical framing of door openings. It is fitted into a traditional door frame and can be adapted to suit all wall thicknesses from 60 mm to 300 mm, thanks to the built-in telescopic system and the adjustments. It supports external pivot hinges which enhance its clean lines, with the door opening 180° (pull opening) or 90° (push opening). Albed's external pivot hinges are CATAS certified for 100,000 opening cycles for a 180° door.





Hinged door and frame
Aluminium jamb cut at 45°
Model: PRIMA

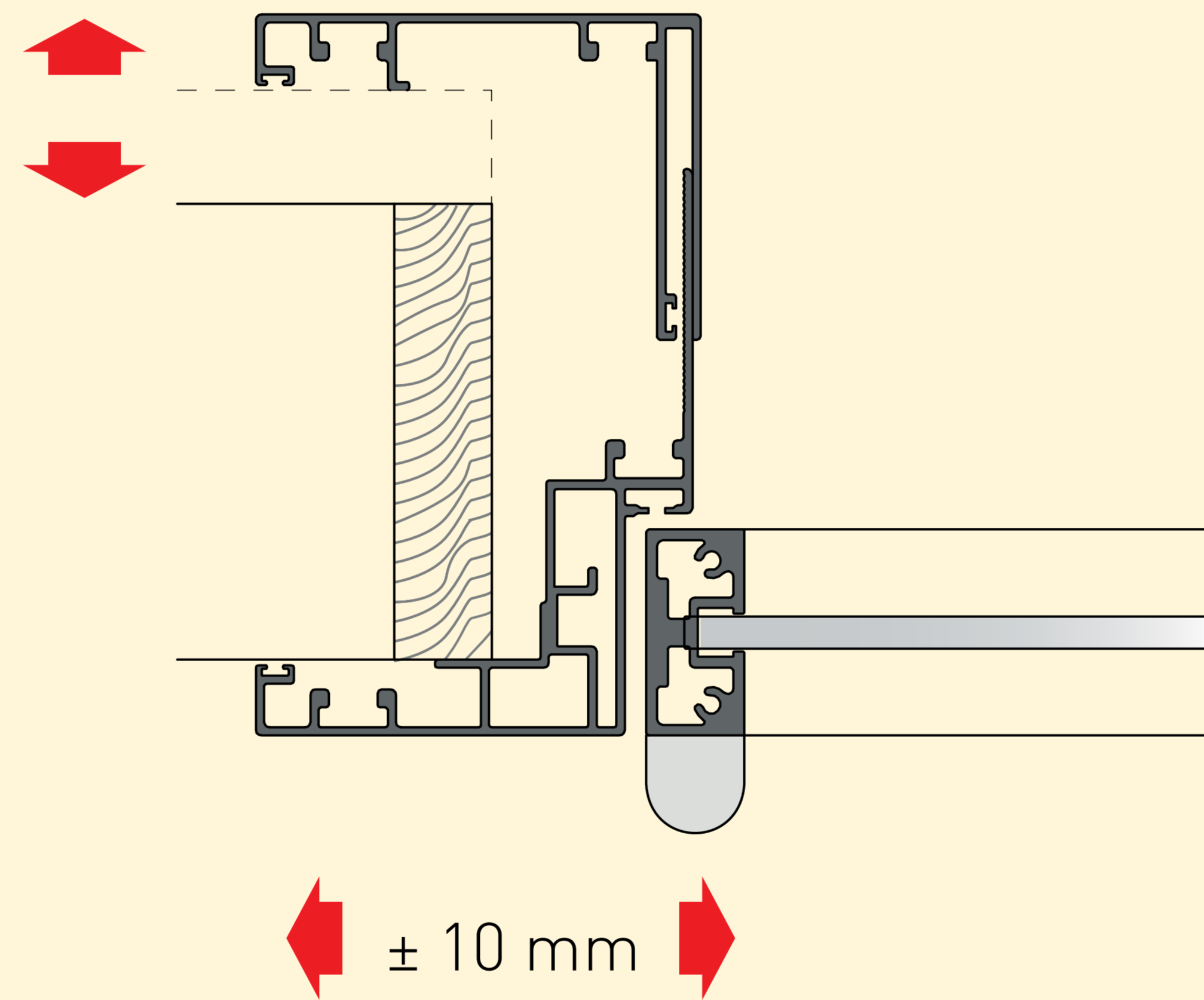


Hinged door and frame
Aluminium jamb cut at 45°
Model: RI-TRAIT 8B

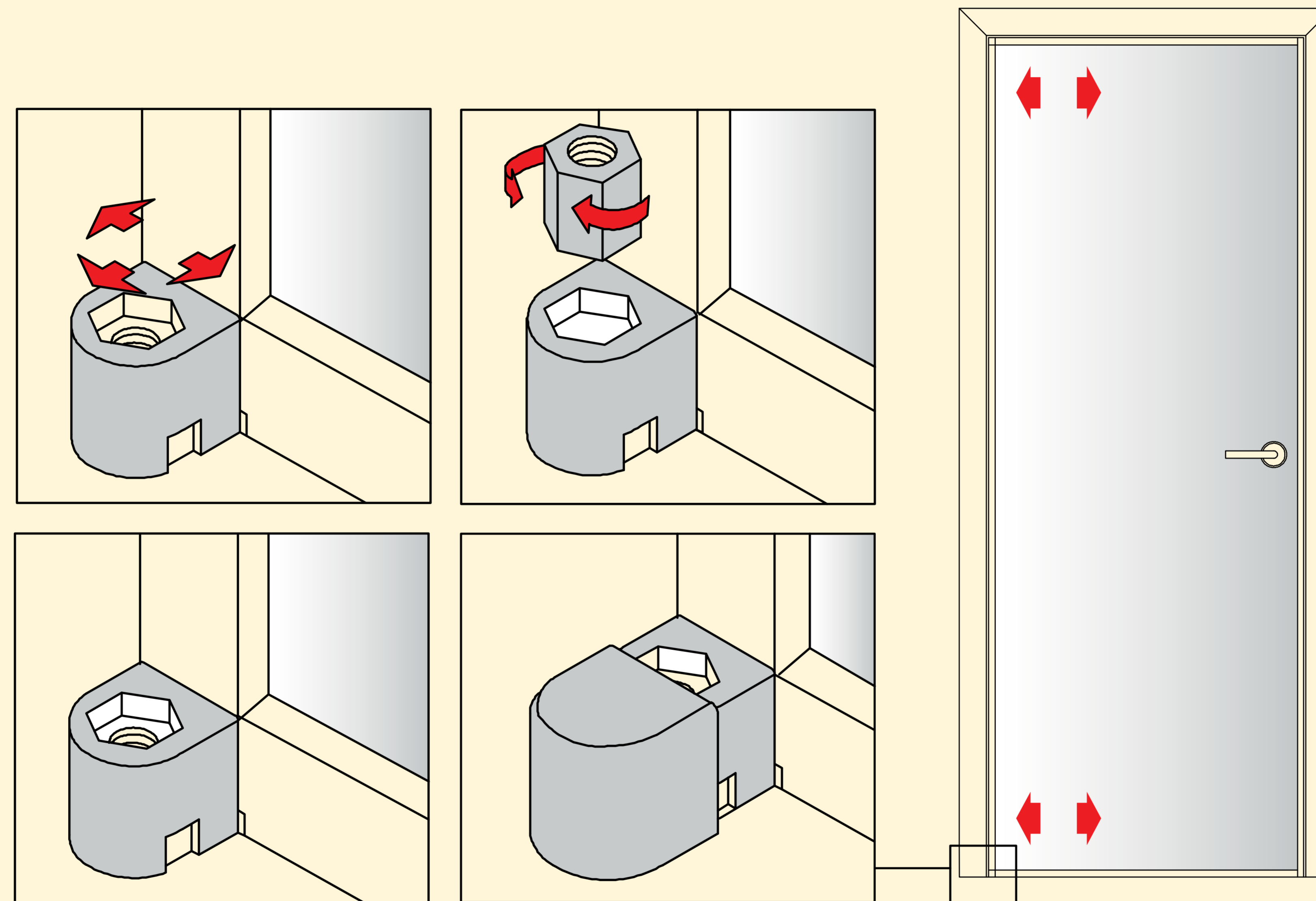


Hinged door and frame
Aluminium jamb cut at 45°
Model: RITRAIT

Adjustment
aluminum
jambs



Adjustment pivot hinge external

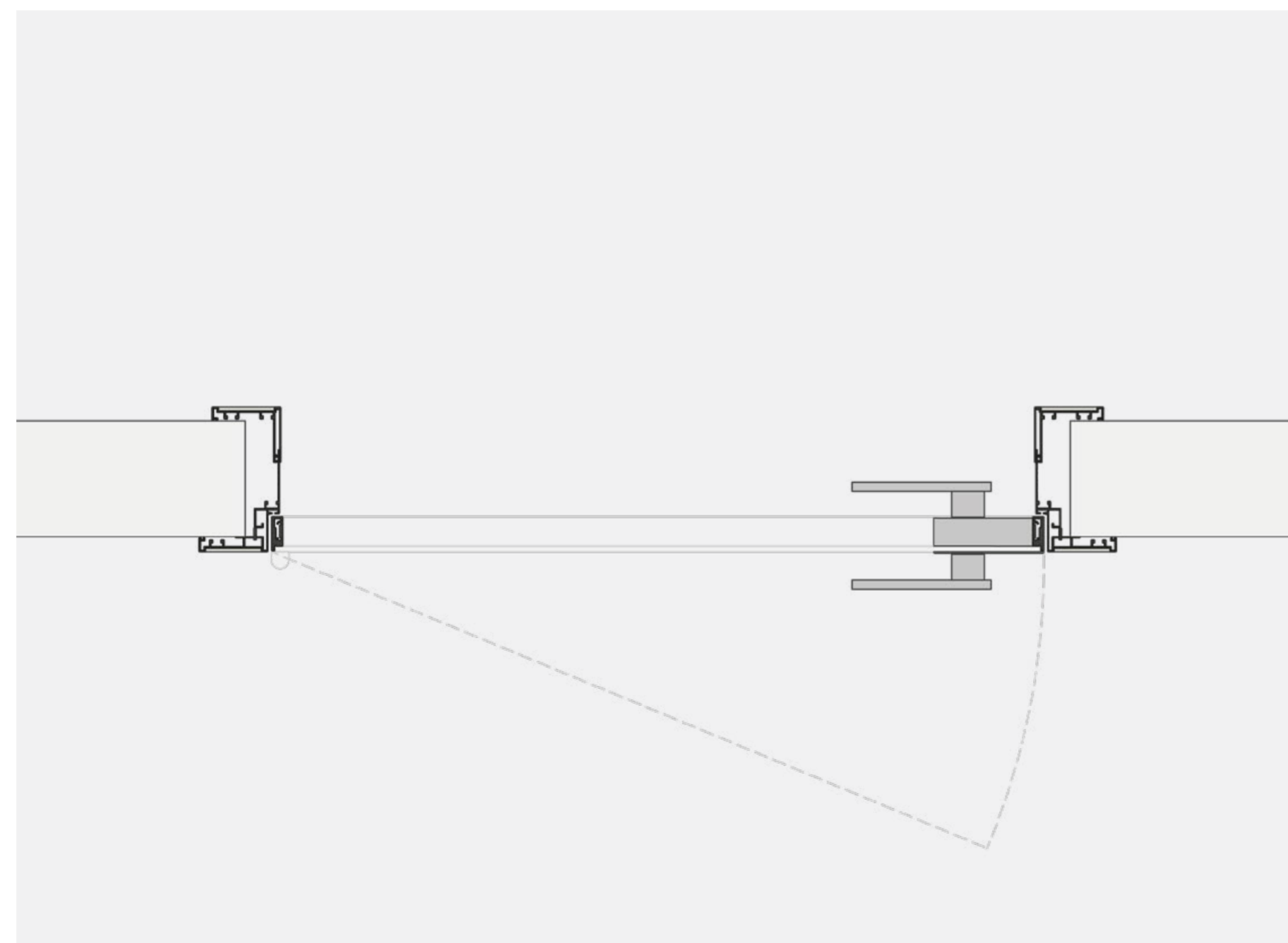




Jamb

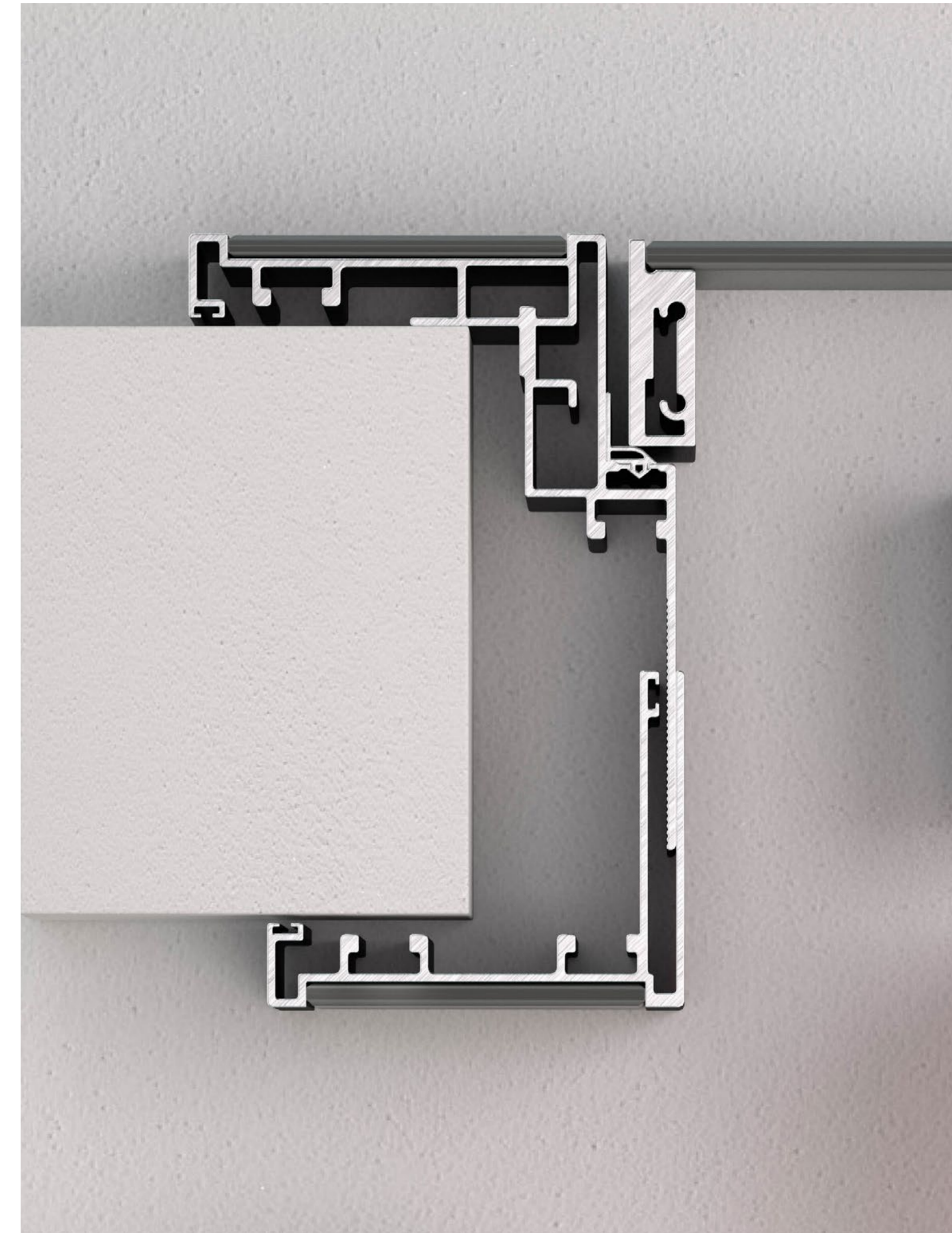
CUSTOMIZABLE JAMB

Albed's customizable aluminium jamb includes the 45° jamb with a finishing list, flush with the frame, which makes it possible to customize the finish on the jamb. As a result, materials and finishes can be used creatively. Wood, glass, and metal combine to meet the most demanding aesthetic requirements. It supports external pivot hinges which enhance its clean lines, with the door opening 180° (pull opening) or 90° (push opening). Albed's external pivot hinges are CATAS certified for 100,000 opening cycles for a 180° door.





Hinged door and frame
Customizable jamb
Model: QUADRA - Double glass



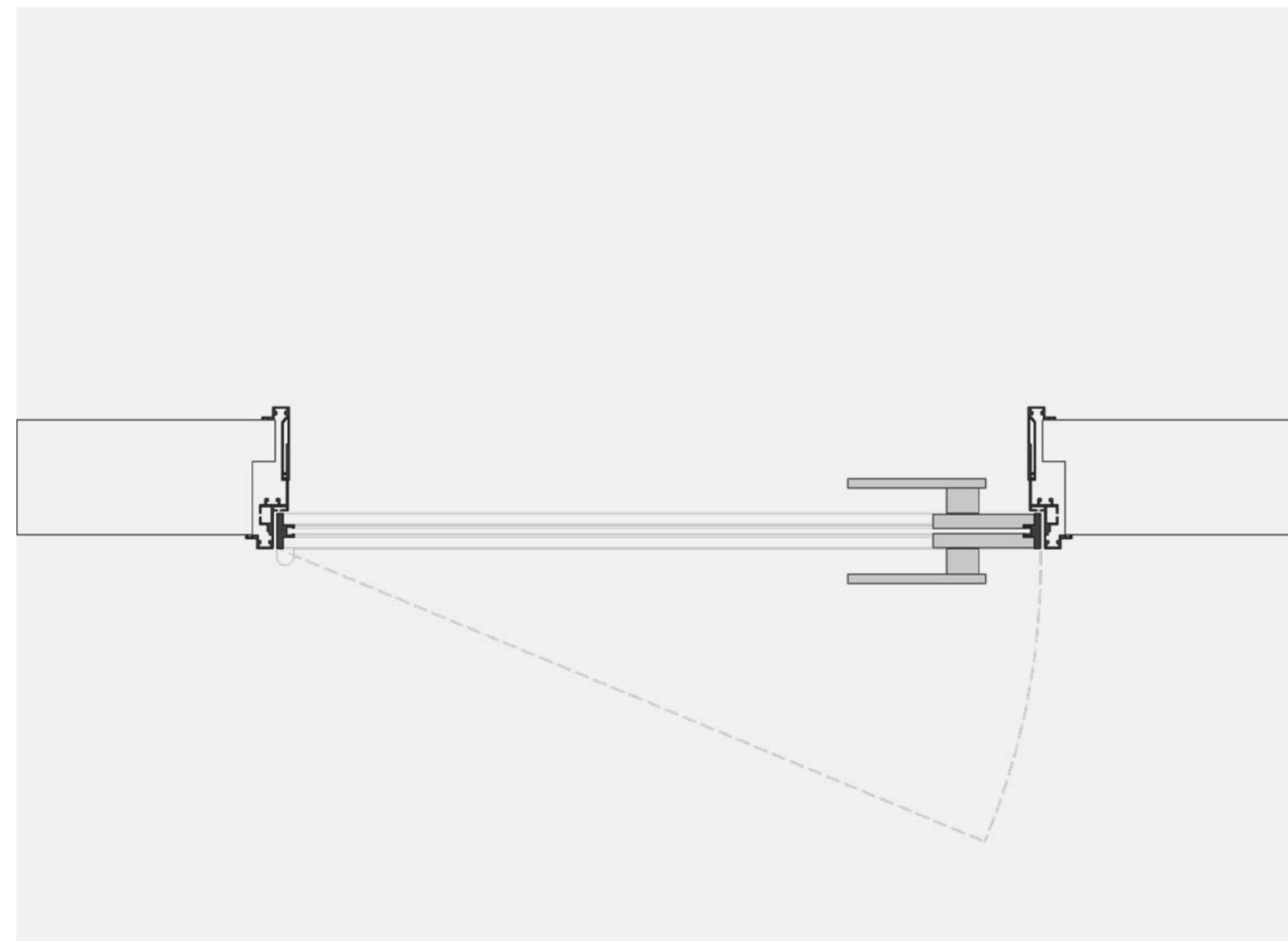
Hinged door and frame
Customizable jamb
Model: RI-TRAIT - Detail

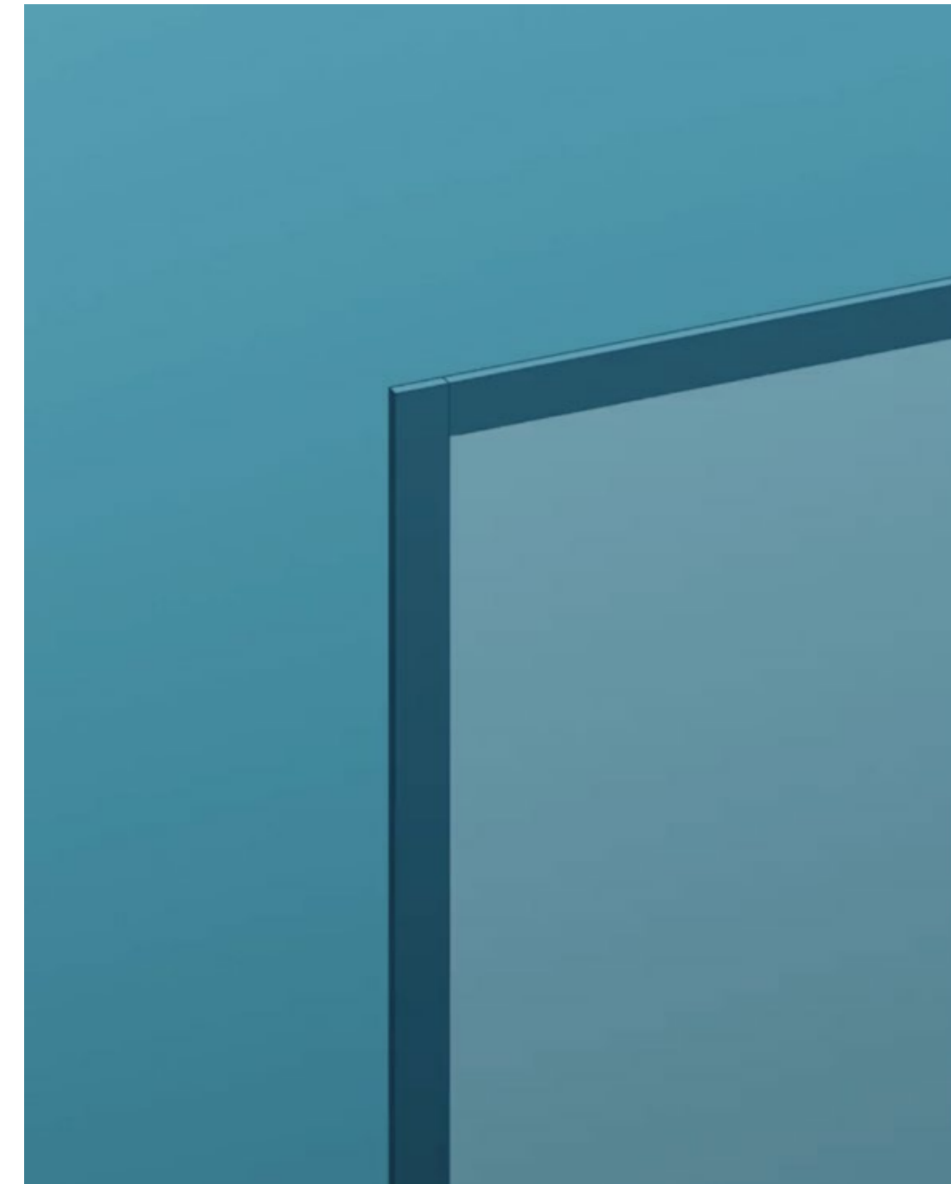


Jamb

SLIM JAMB

The Slim Jamb is an external profile in which the door system's thicknesses and technical details are reduced to a minimum to achieve refined technical insertion of the door panel into the wall. Its clean lines define a very slim frame around the door opening, outlining the way through. It supports external pivot hinges which enhance its clean lines, with the door opening 180° (pull opening). Albed's external pivot hinges are CATAS certified for 100,000 opening cycles for a 180° door.



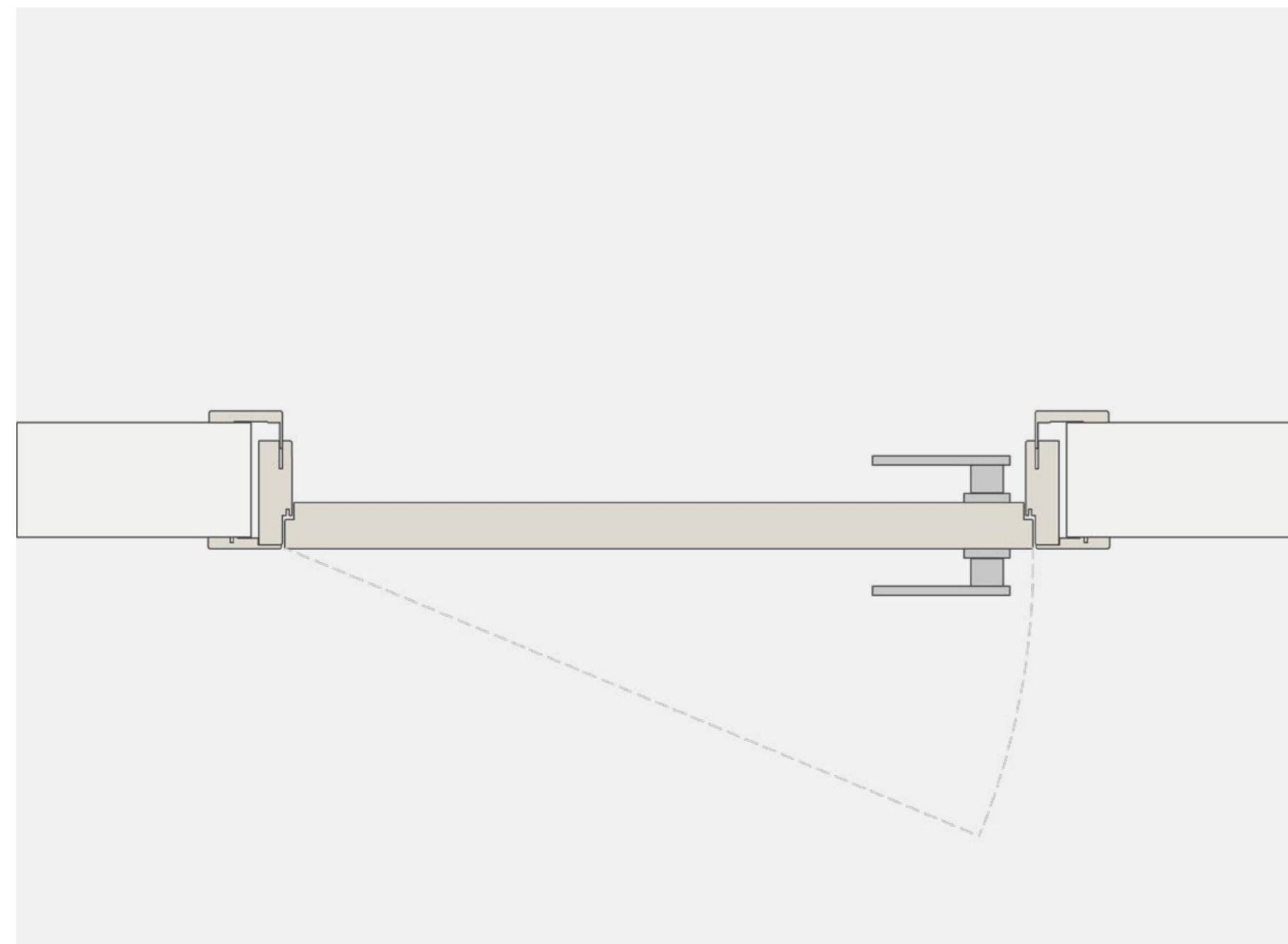


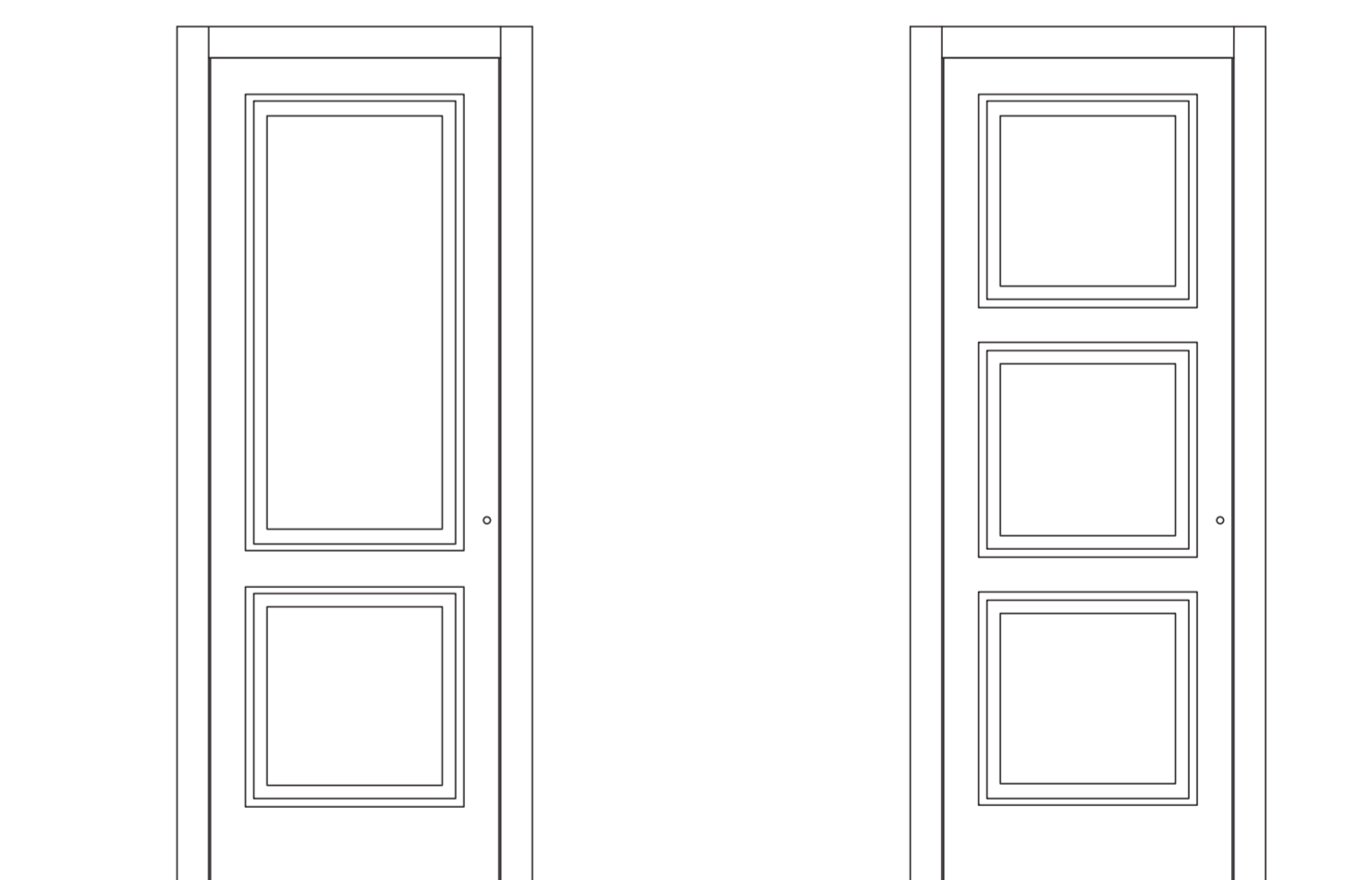
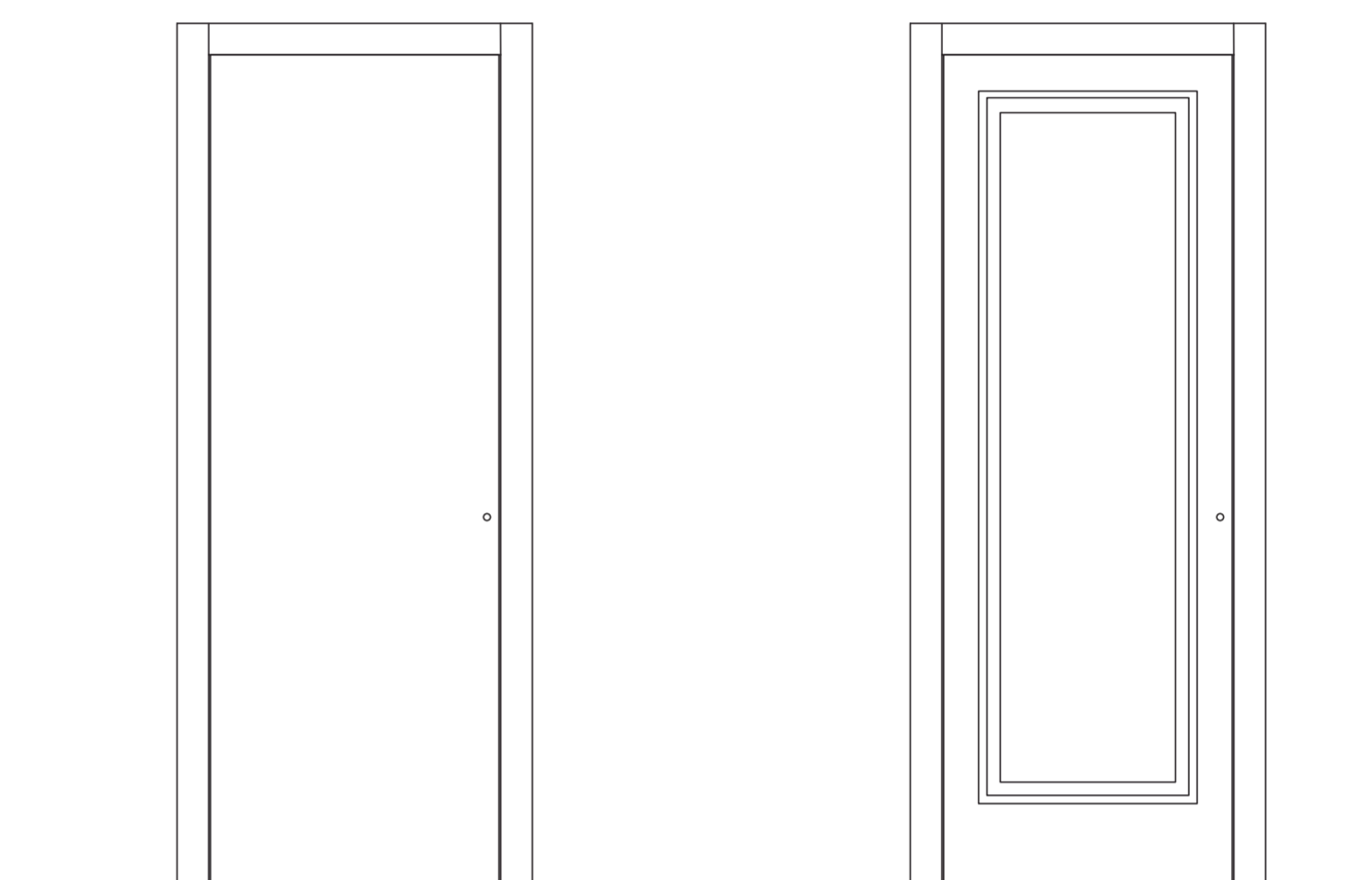
Jamb

WOODEN JAMB

A wooden jamb is the best traditional solution for the door system.

It is fitted into a wooden door frame and can be adapted to suit all wall thicknesses from 60 mm to 300 mm, thanks to the built-in telescopic system and the adjustments. It houses rebated hinges, allowing the door to open 180° (pull opening) or 90° (push opening). Albed uses certified hinges that can be adjusted on 3 axes.





Hinged door and frame
Wooden jamb
Model: AND



Tipology

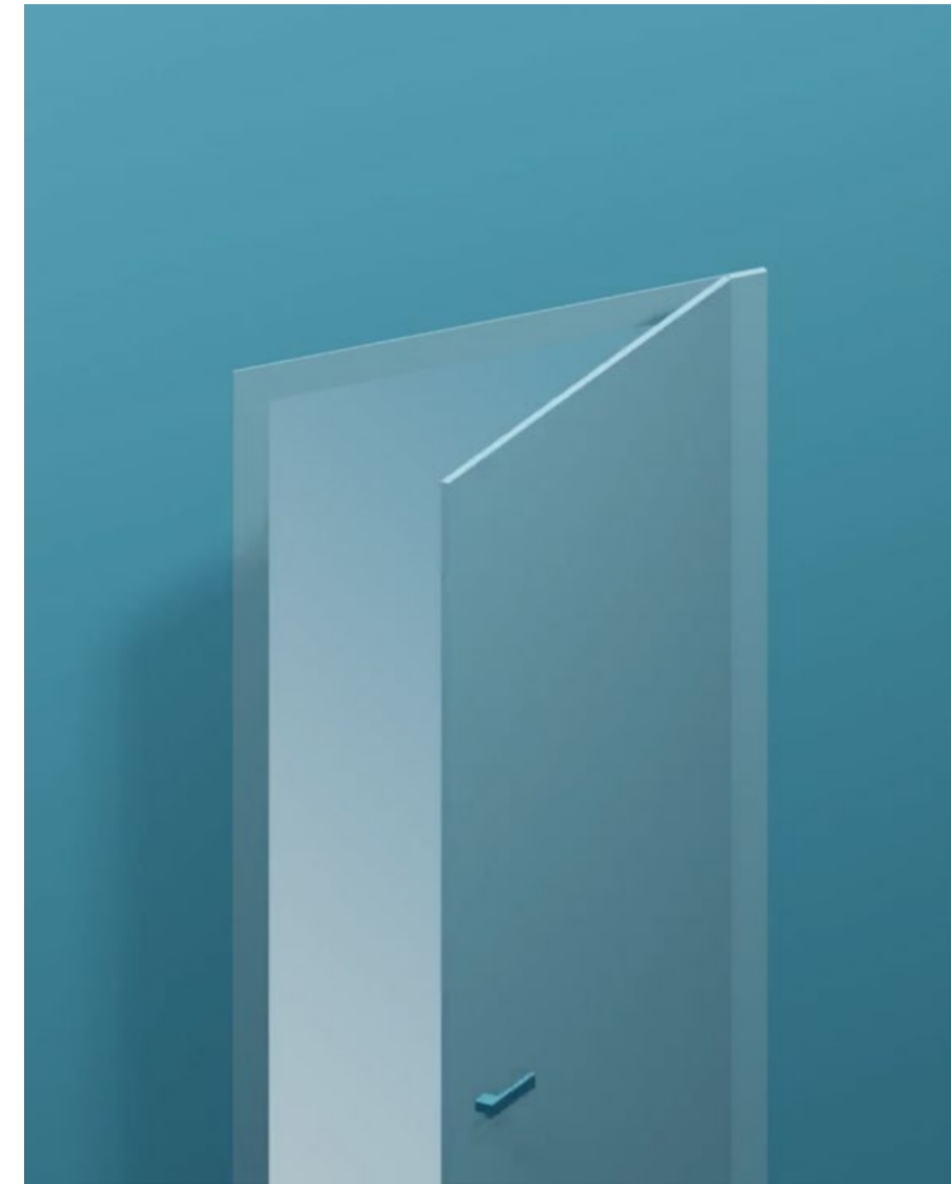
FLUSH-EFFECT HINGED DOOR

The “flush-effect hinged door” is a traditional hinged door that produces a final visual effect that is similar to a flush door. However, our model is much simpler to install. It is a single panel door that, when closed, covers the frame, creating a minimal protrusion in relation to the wall surface. This easy to install solution, without any special work required, is suitable for a standard door space with a counterframe.

ALBED
MILANO 1964

Flush-effect hinged door
Pivoting Flush Door Effect
Model: BOISÉ

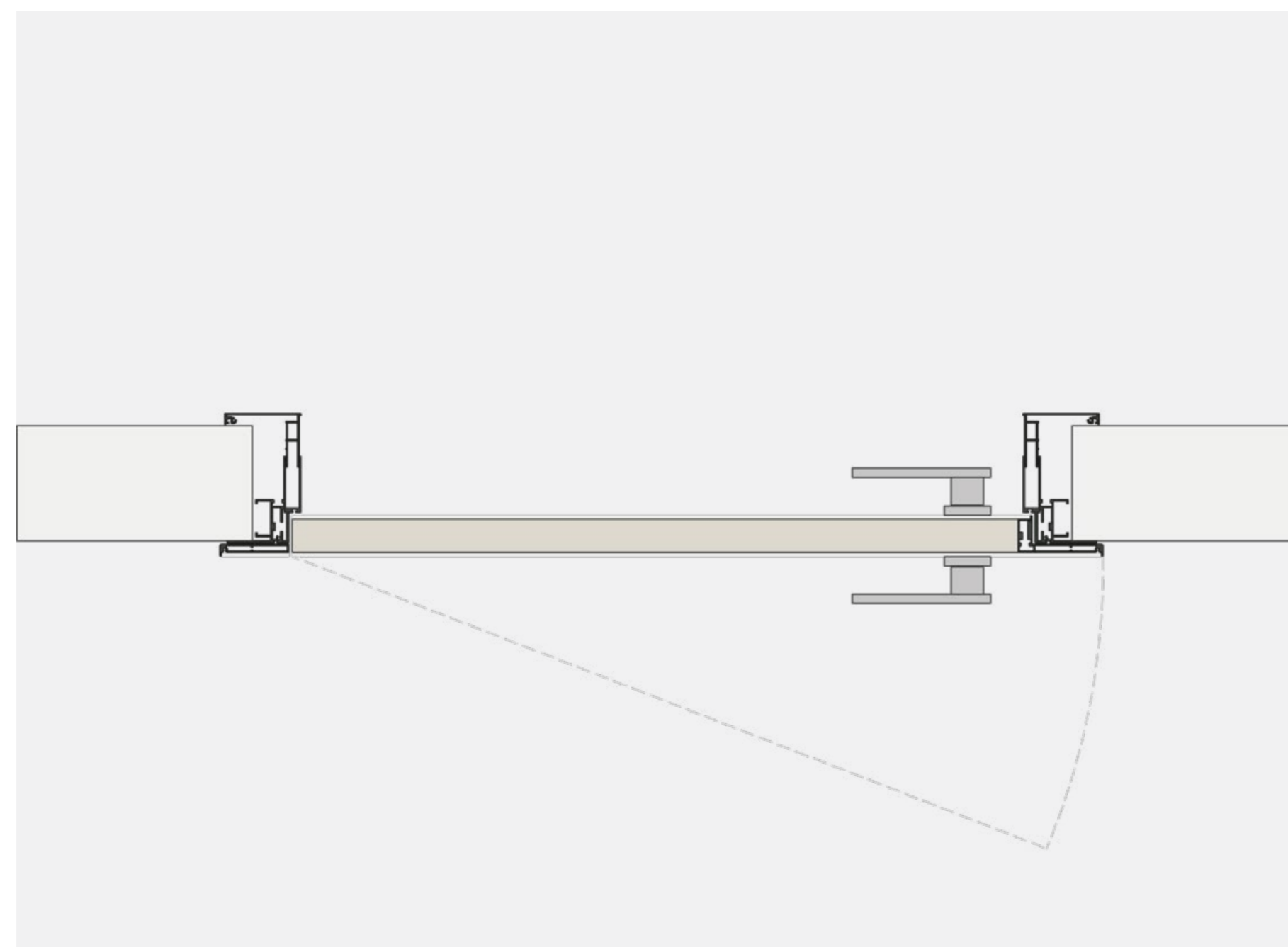




Jamb

FLUSH DOOR EFFECT

The "flush door effect" solution provides a continuous surface for the wall and door panel. The door jamb and panel are built-in, making it possible to achieve a single finish, almost without interruptions and visible hinges. This solution can be used with any type of wall and architectural opening, in place of a traditional door. The aesthetic result is that of a "picture" of the chosen finish, overhanging the wall - clean and minimal.

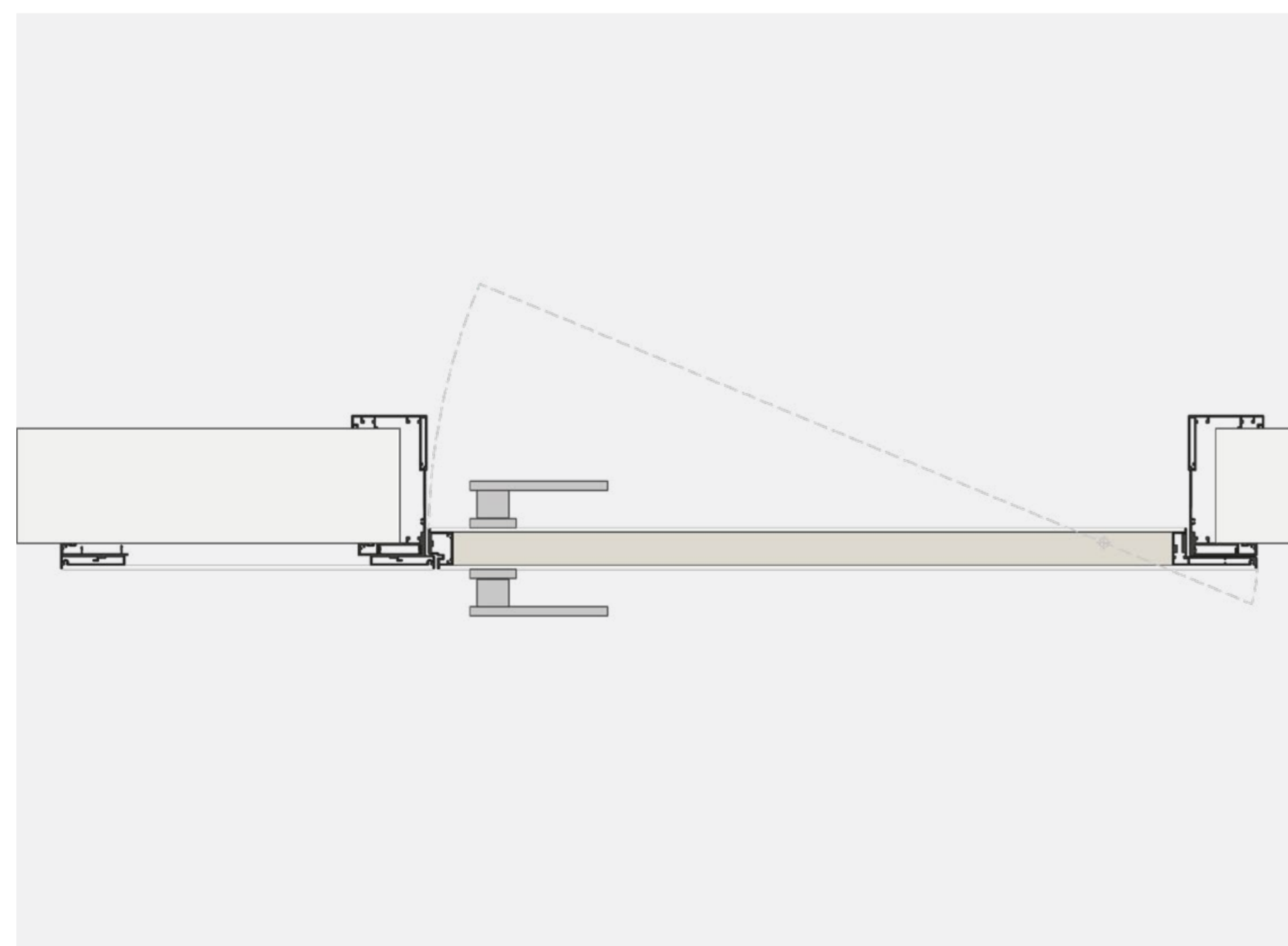




Jamb

PIVOTING FLUSH DOOR EFFECT

The "pivoting flush door effect" solution makes it possible to close door openings or traditional openings with a large size finishing panel, in which a pivot door is positioned. This way a boiserie can be created, with a built-in door and without any building preparation, on which an almost unlimited range of finishes can be applied.

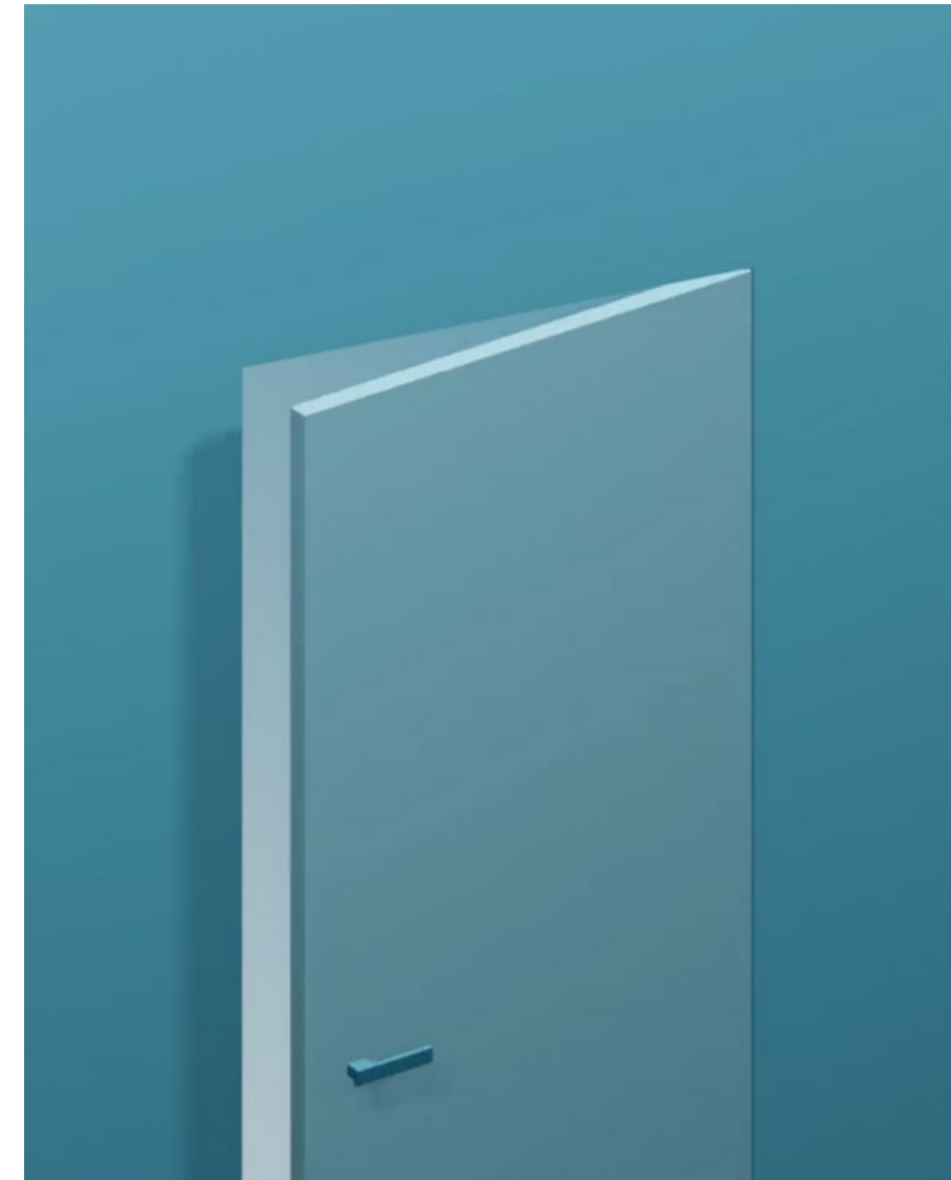




Jamb

FLUSH HINGED DOOR

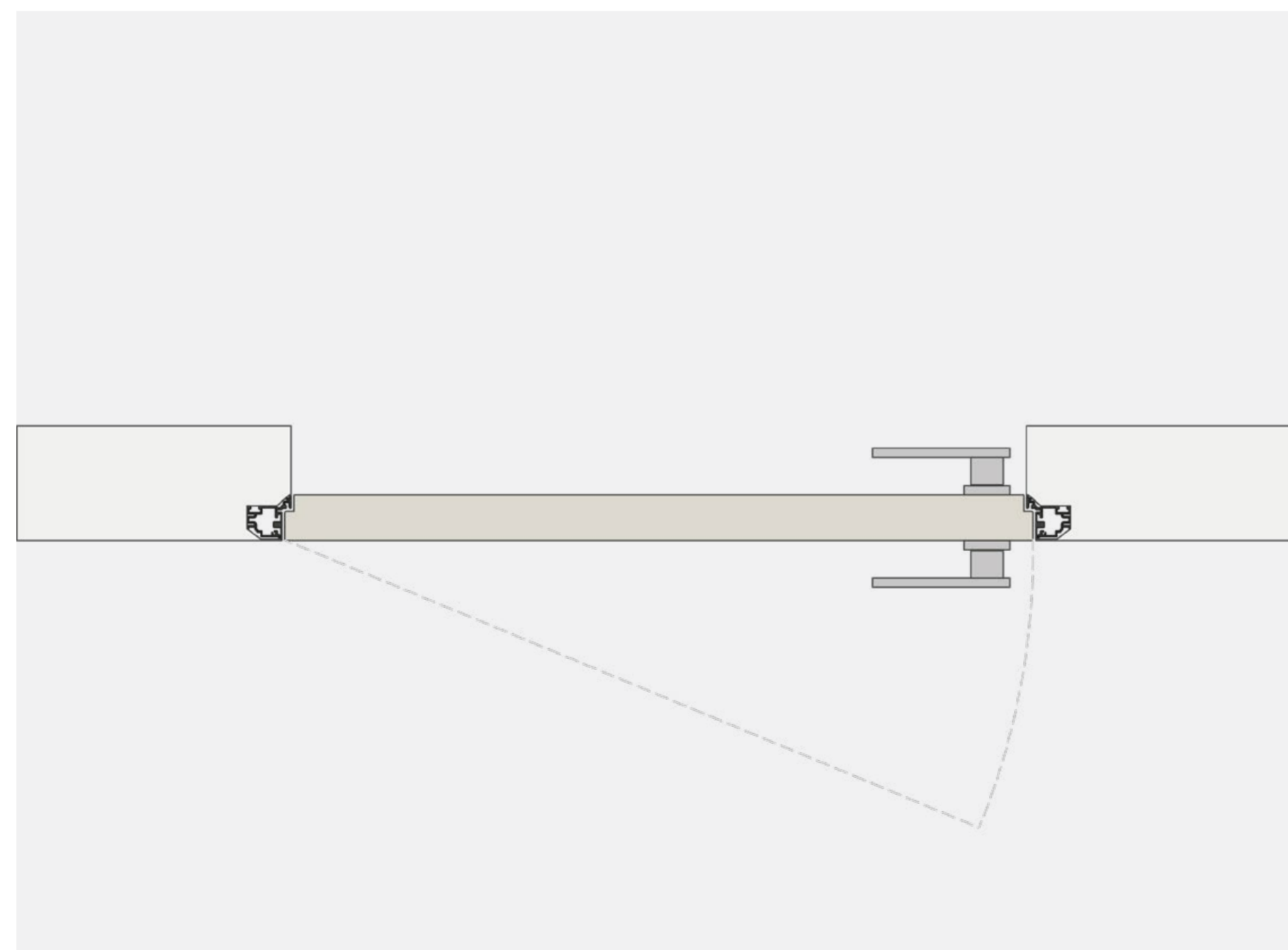
The “flush hinged” door is ideal for anyone looking for clean lines. The door jamb is built into the wall, leaving only the panel visible. Mechanics and aesthetics combine to make a door that is able to satisfy the most stringent design needs, while meeting the technical requirements of the worksite. Available for installation with drywall or brick walls.



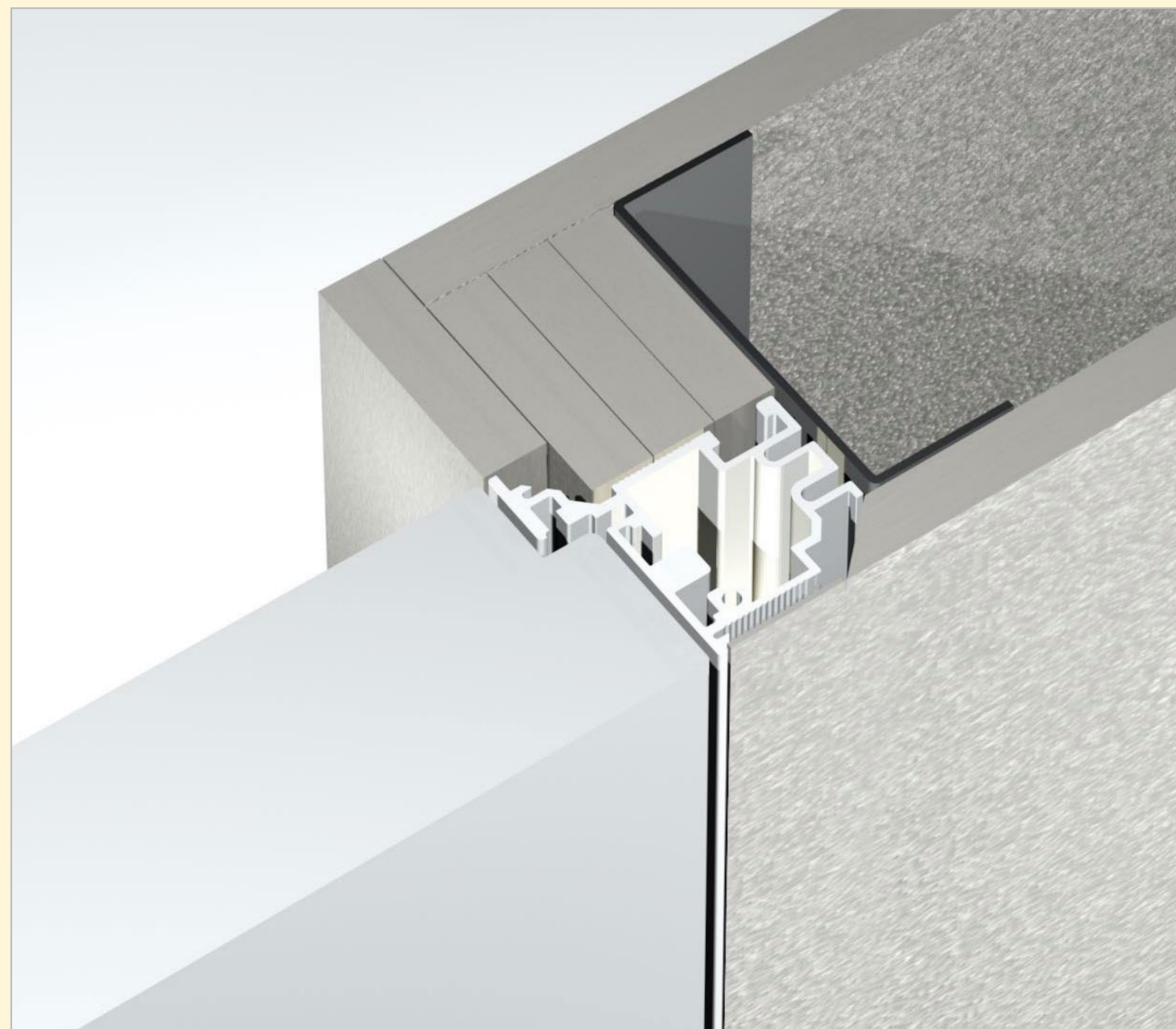
Jamb

FLUSH DOOR WITH CONCEALED HINGES

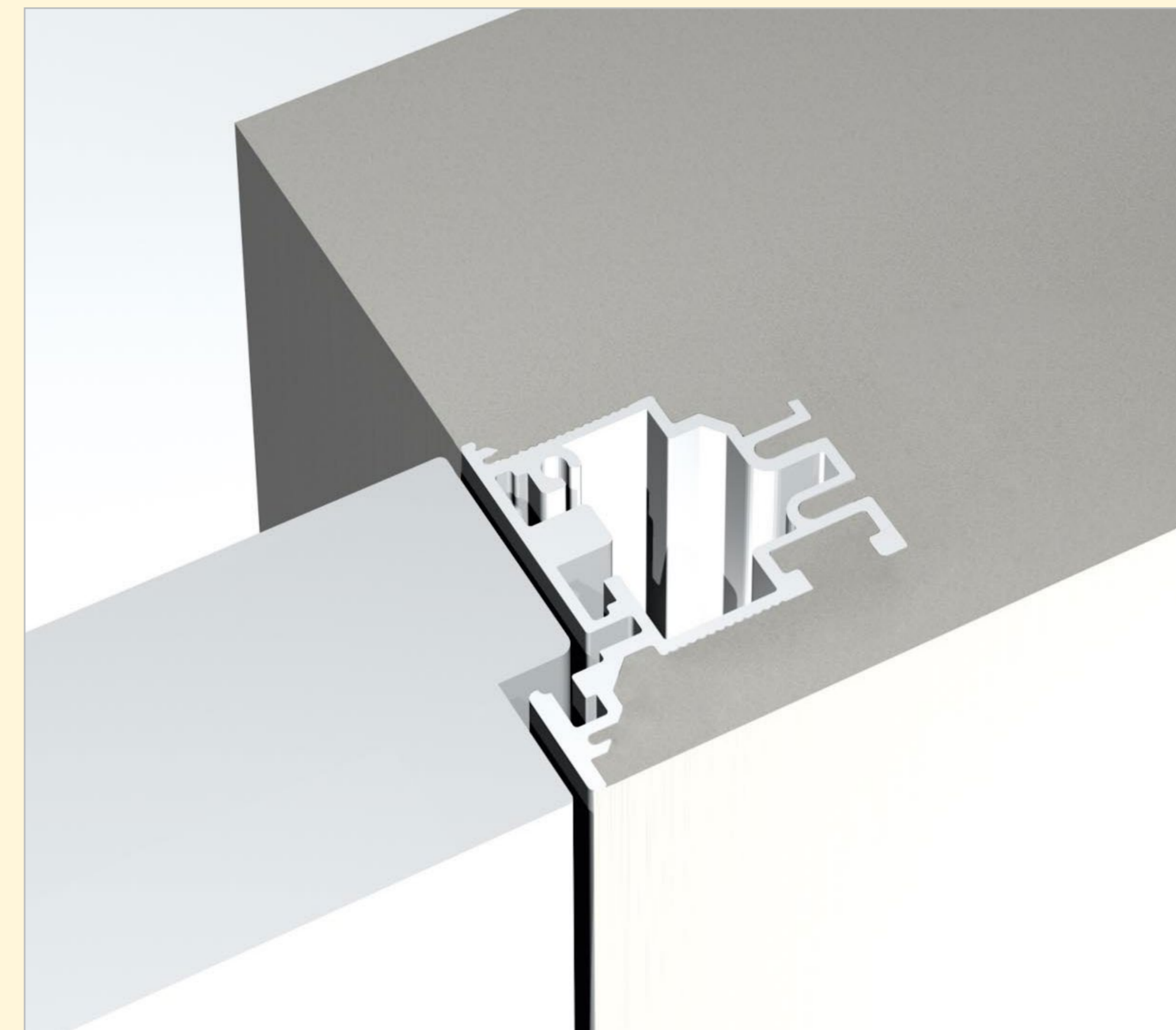
The "flush door with concealed hinges" jamb can be used to form a classical flush door, which is virtually invisible in the wall. The concealed hinges are rebated into the jamb and the door panel, allowing the door and wall to be completely flush, without any visible presence. The effect obtained is extremely clean. Albed uses certified hinges that can be adjusted on three axes.



Compatibility with different building systems

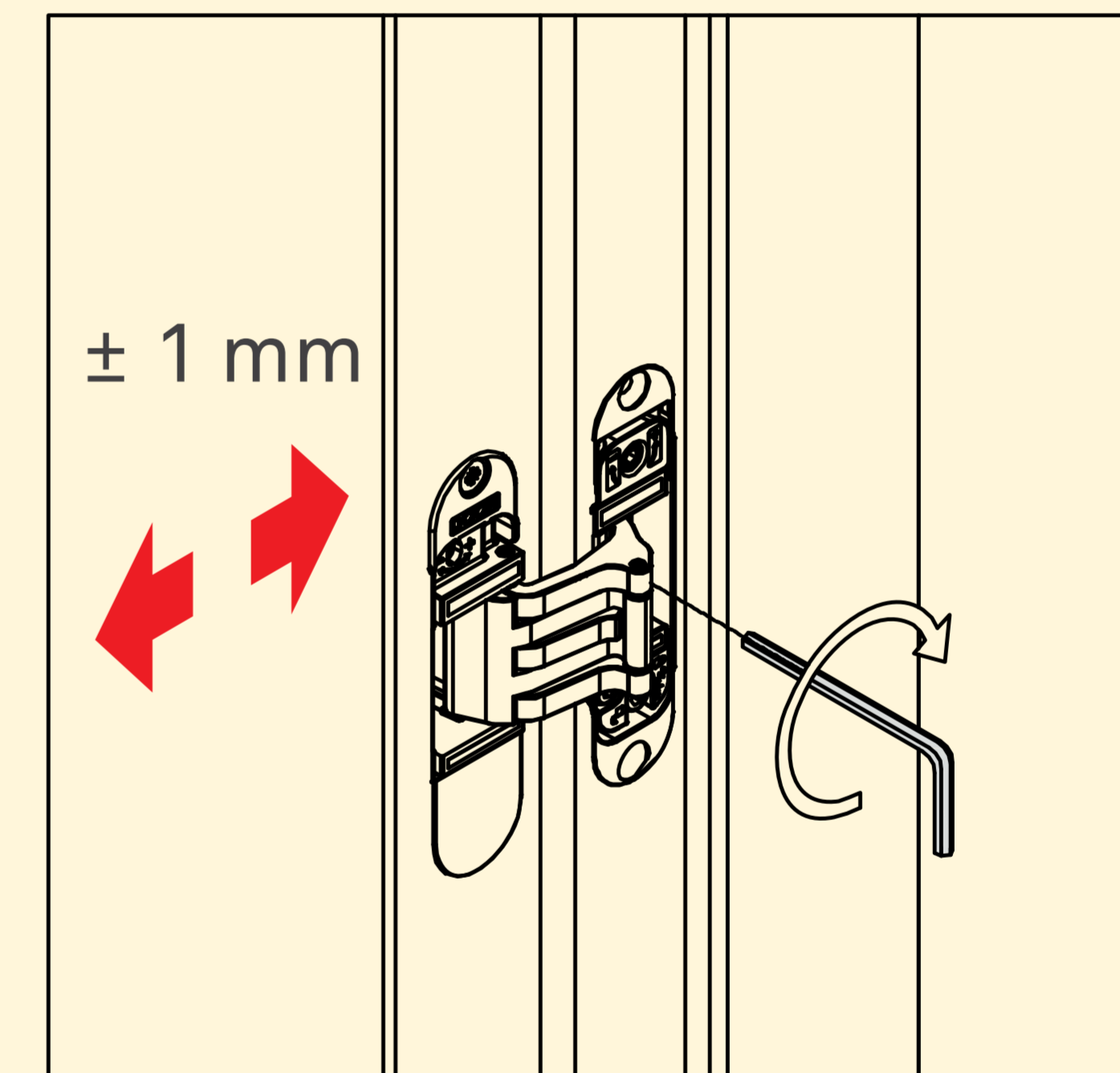
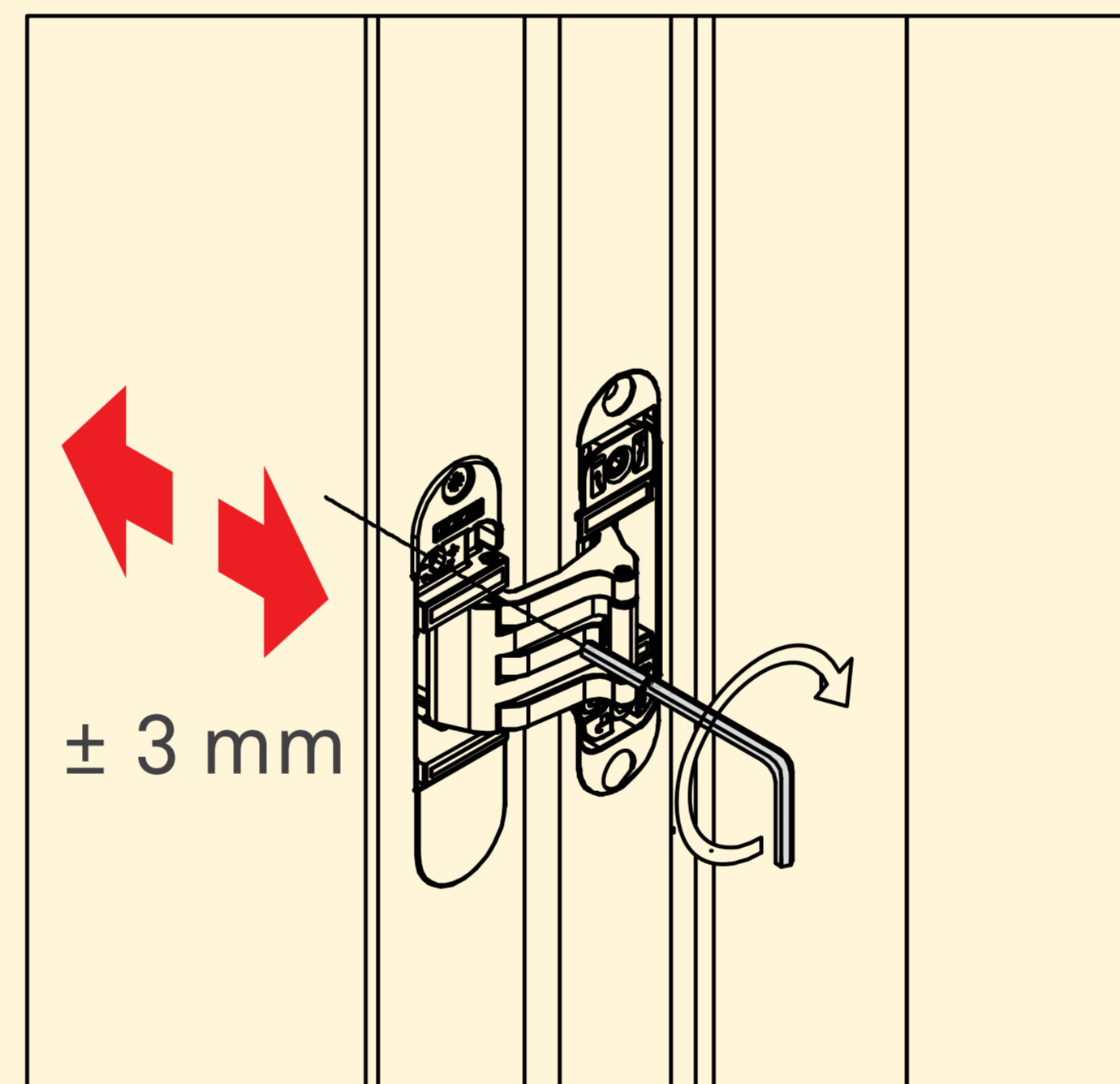
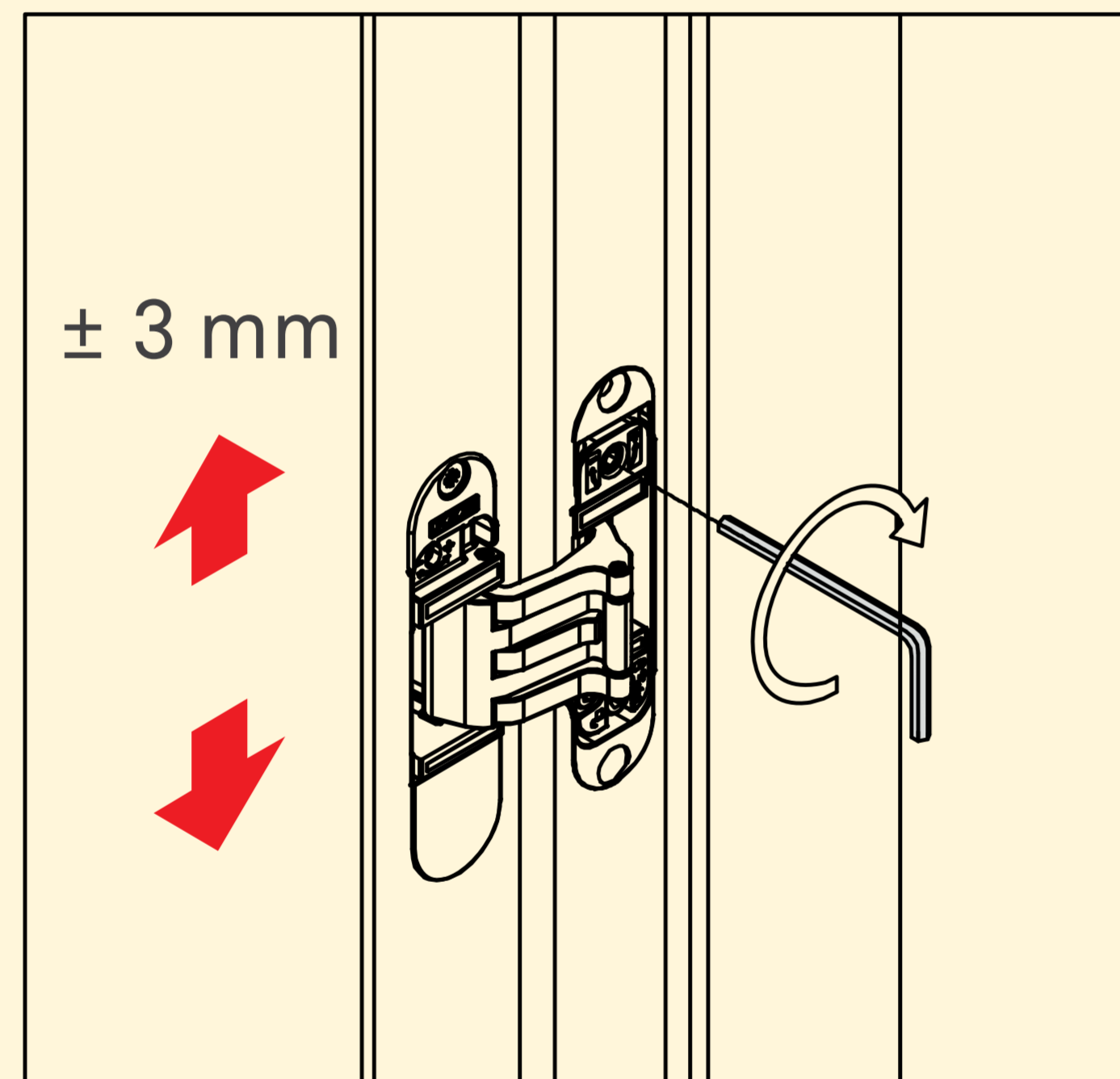


On drywall



On brick

Adjustment Concealed Hinges



Flush hinged door
Concealed Hinges
Model: NEXT EI30
Thickness: 58mm



Flush hinged door
Concealed Hinges
Model: NEXT
Thickness: 50mm



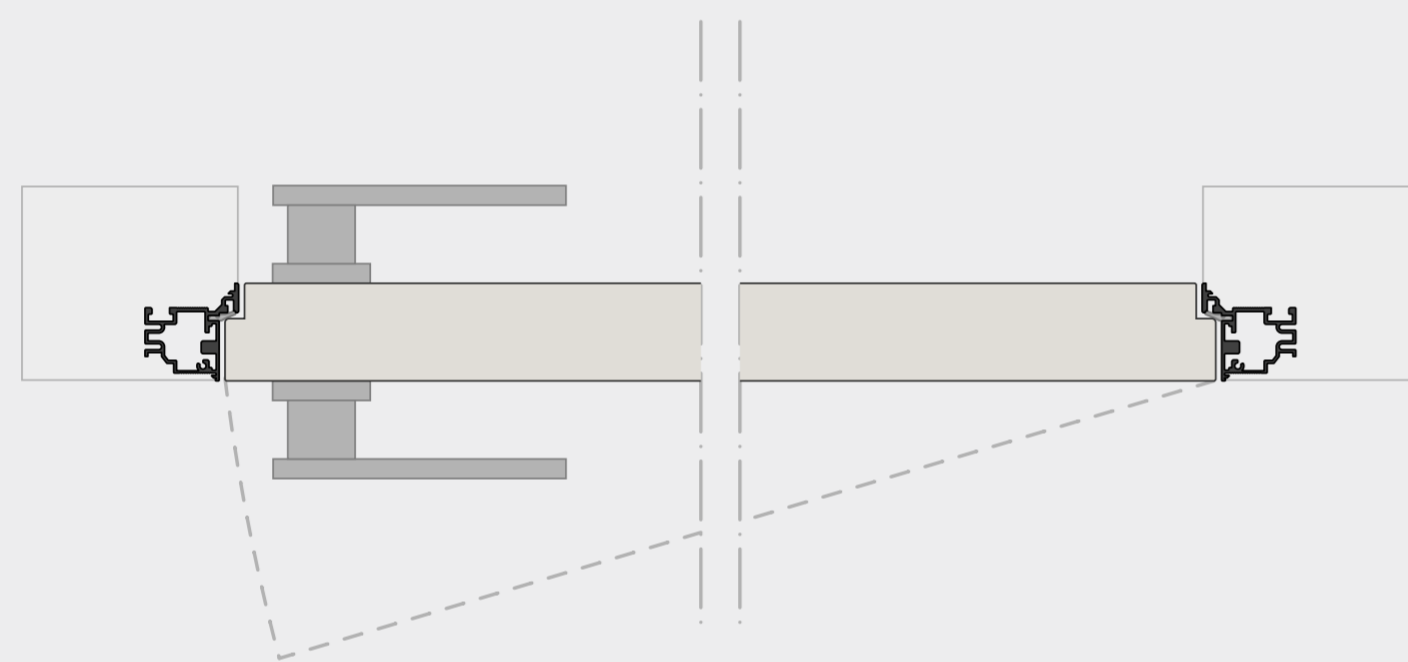
Flush hinged door
Concealed Hinges
Model: NEXT
Thickness: 50mm



Flush hinged door
Concealed Hinges
Model: SUIT
Thickness: 60mm

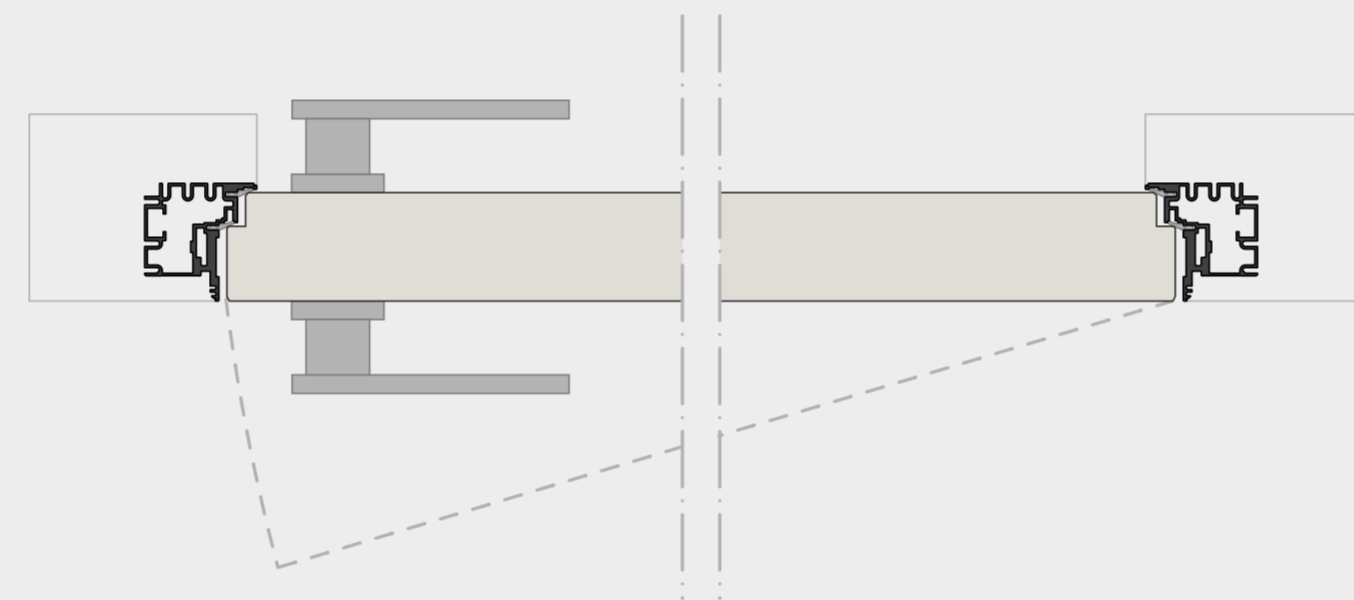
Available thicknesses, openings and surfaces

NEXT
50MM



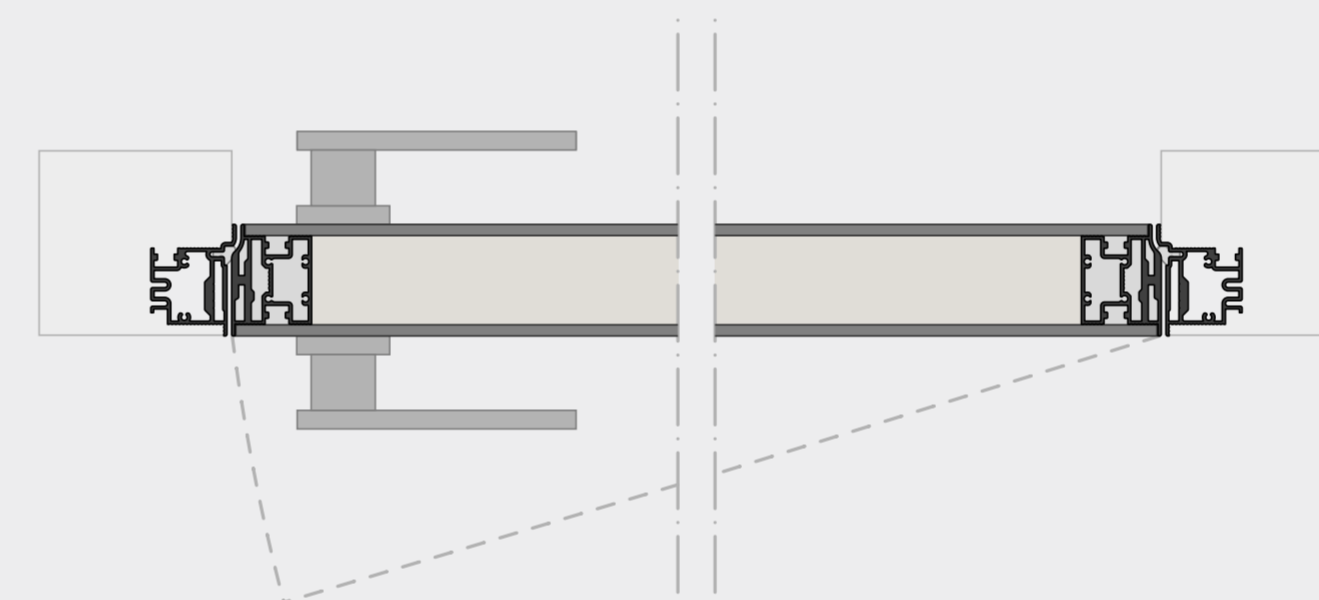
Next 50 mm
Single pull door

NEXT
58MM



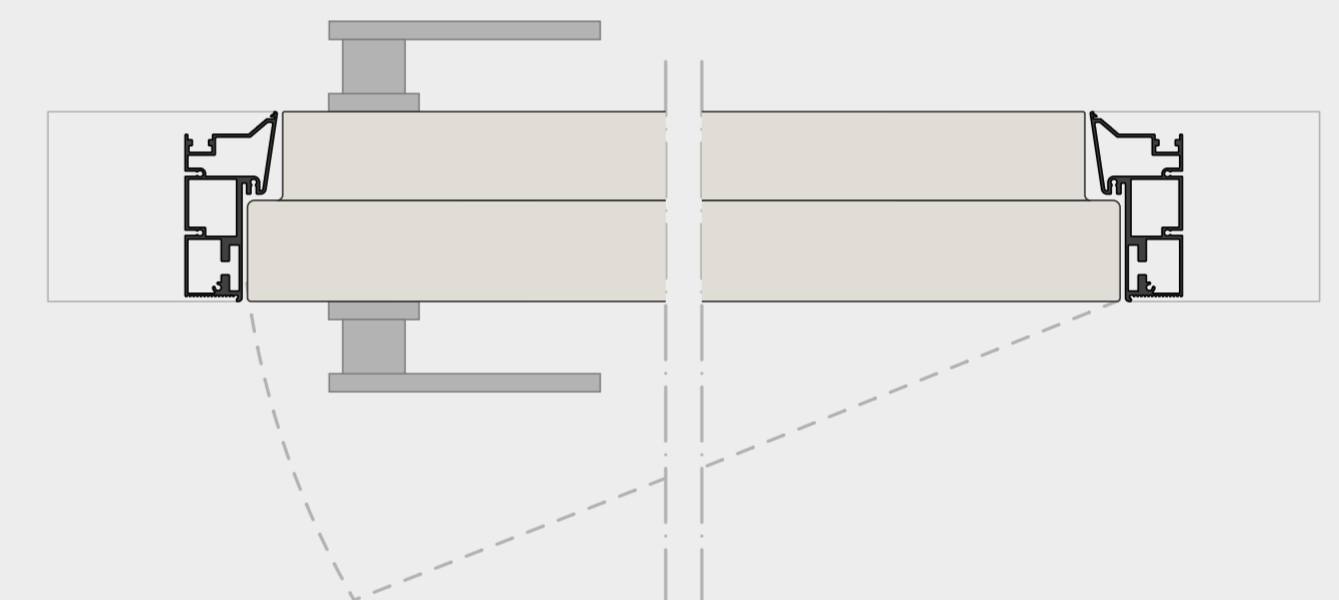
Next 58 mm
Single pull door

SUIT
60MM

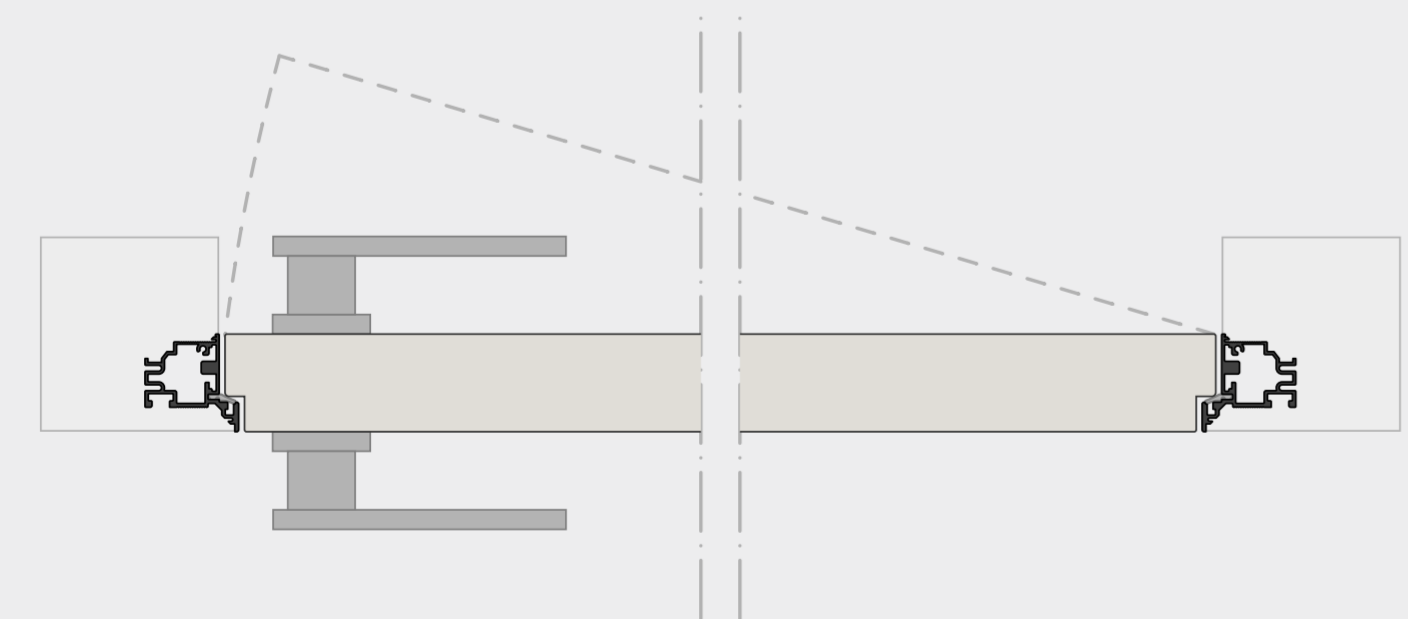


Suit 60 mm
Single pull door

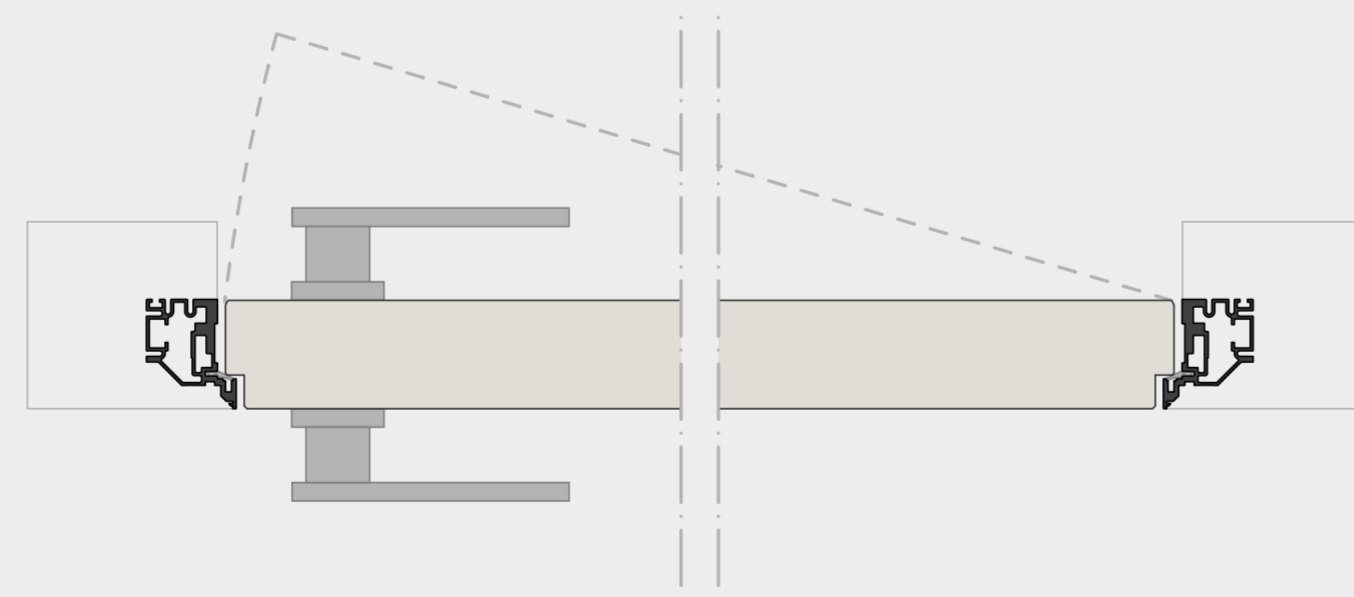
INTEGRA
105MM & 125MM



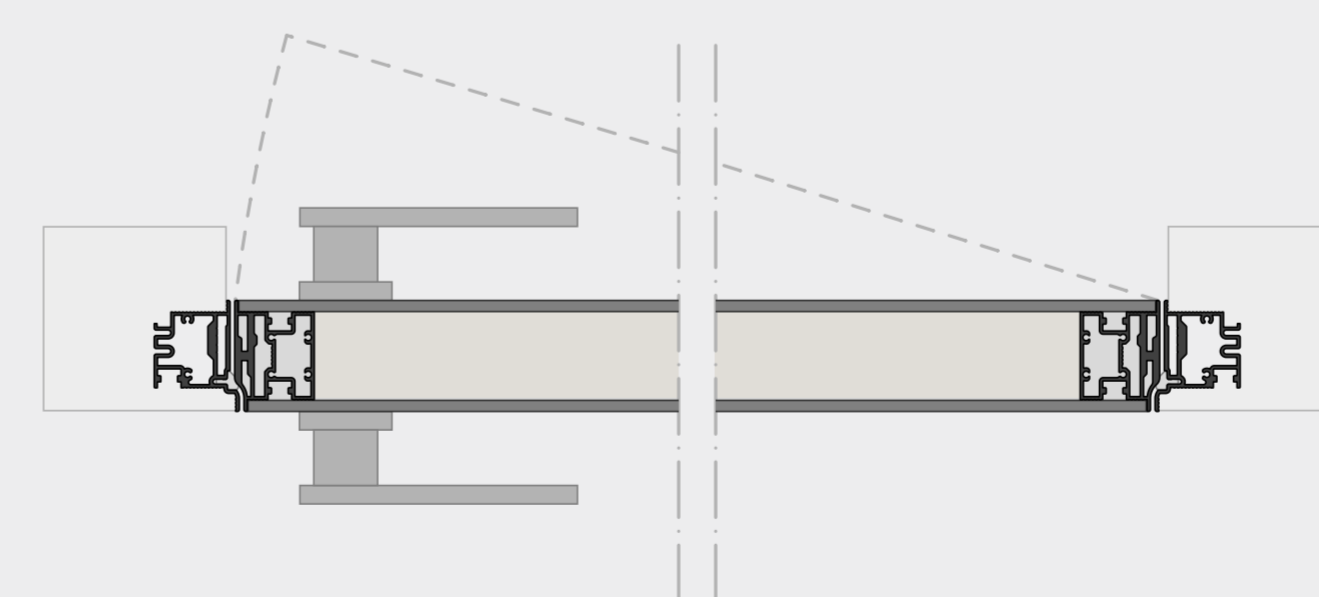
Integra 105 mm & 125 mm
Single pull door



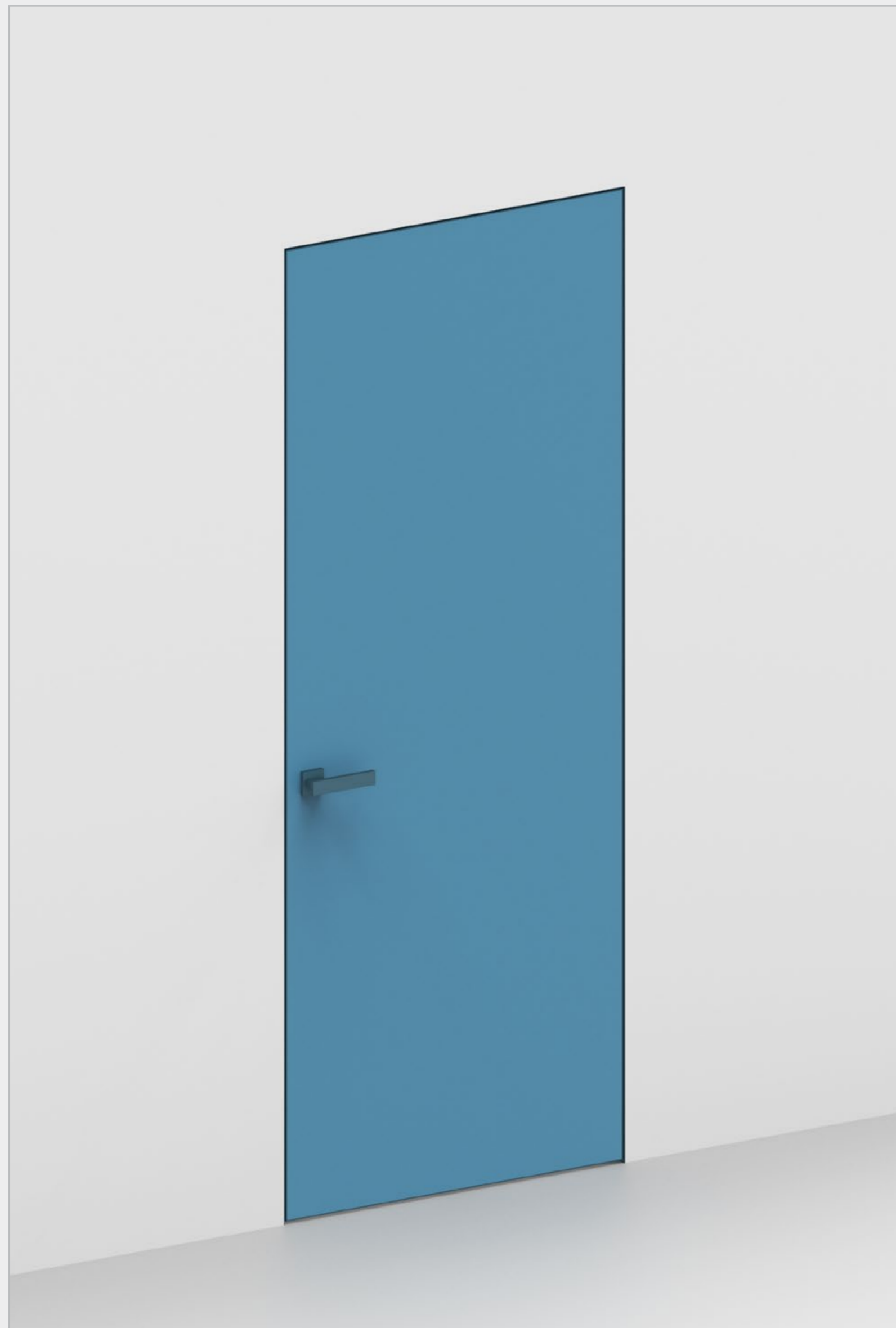
Next 50 mm
Single push door



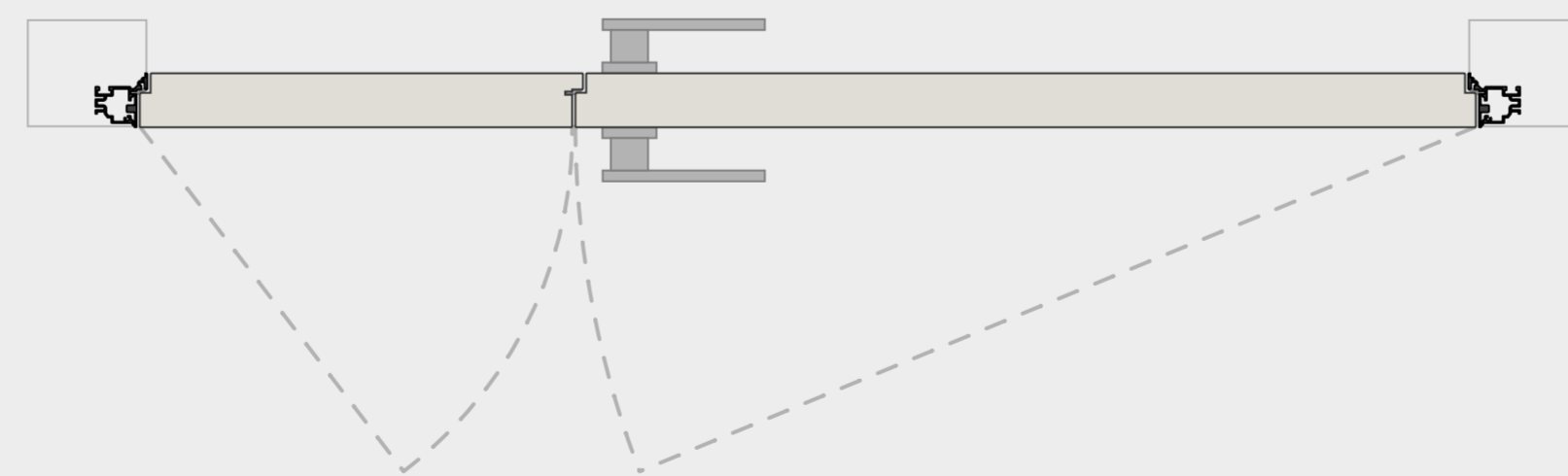
Next 58 mm
Single push door



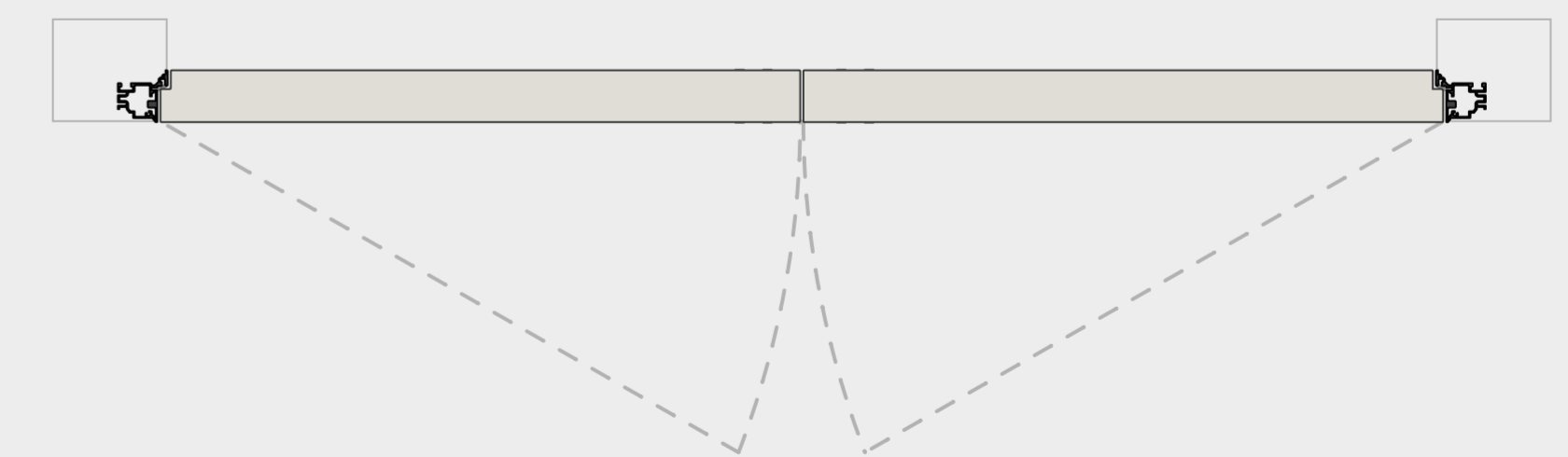
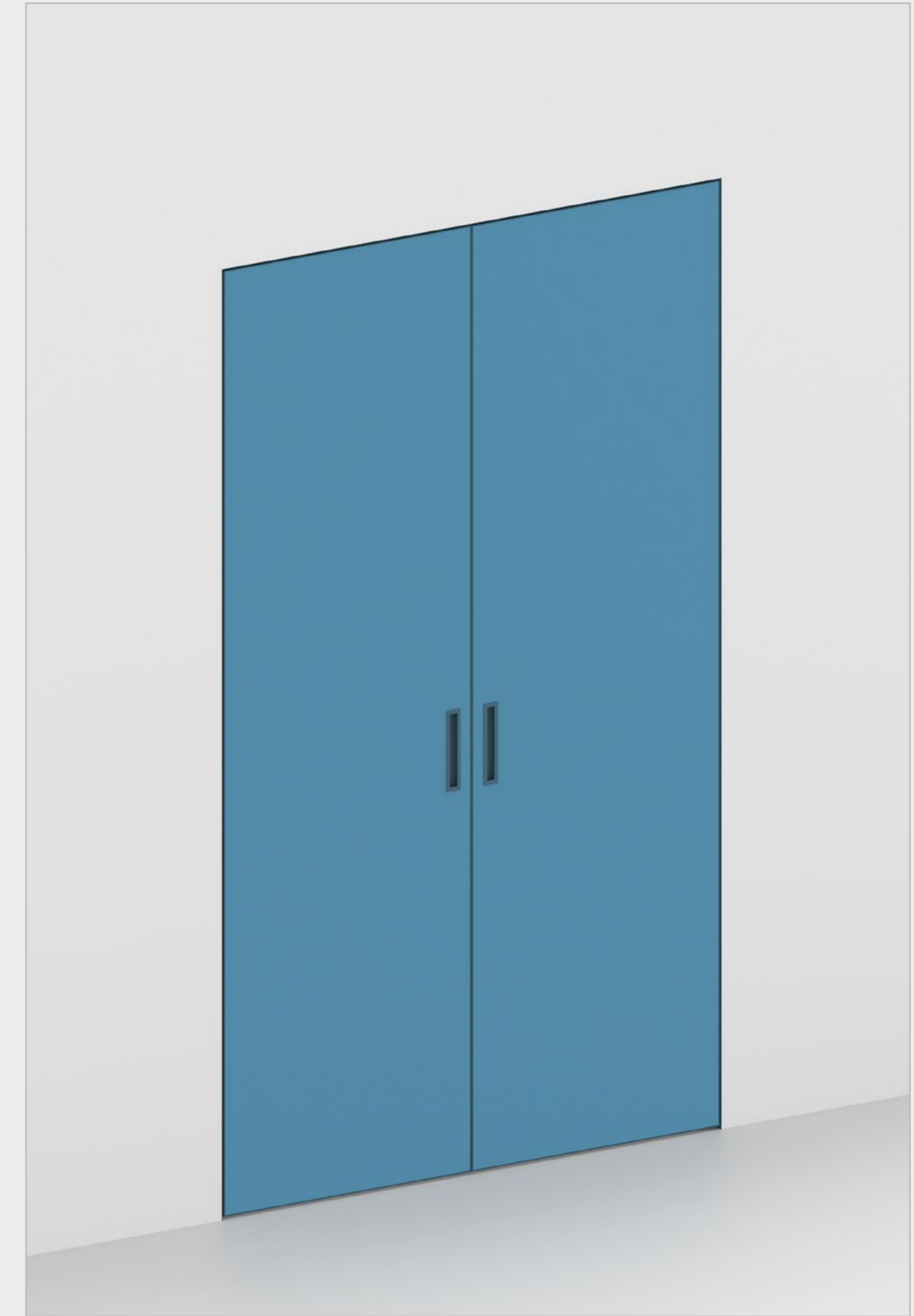
Suit 60 mm
Single push door



Single door to pull



Asymmetrical double door to pull



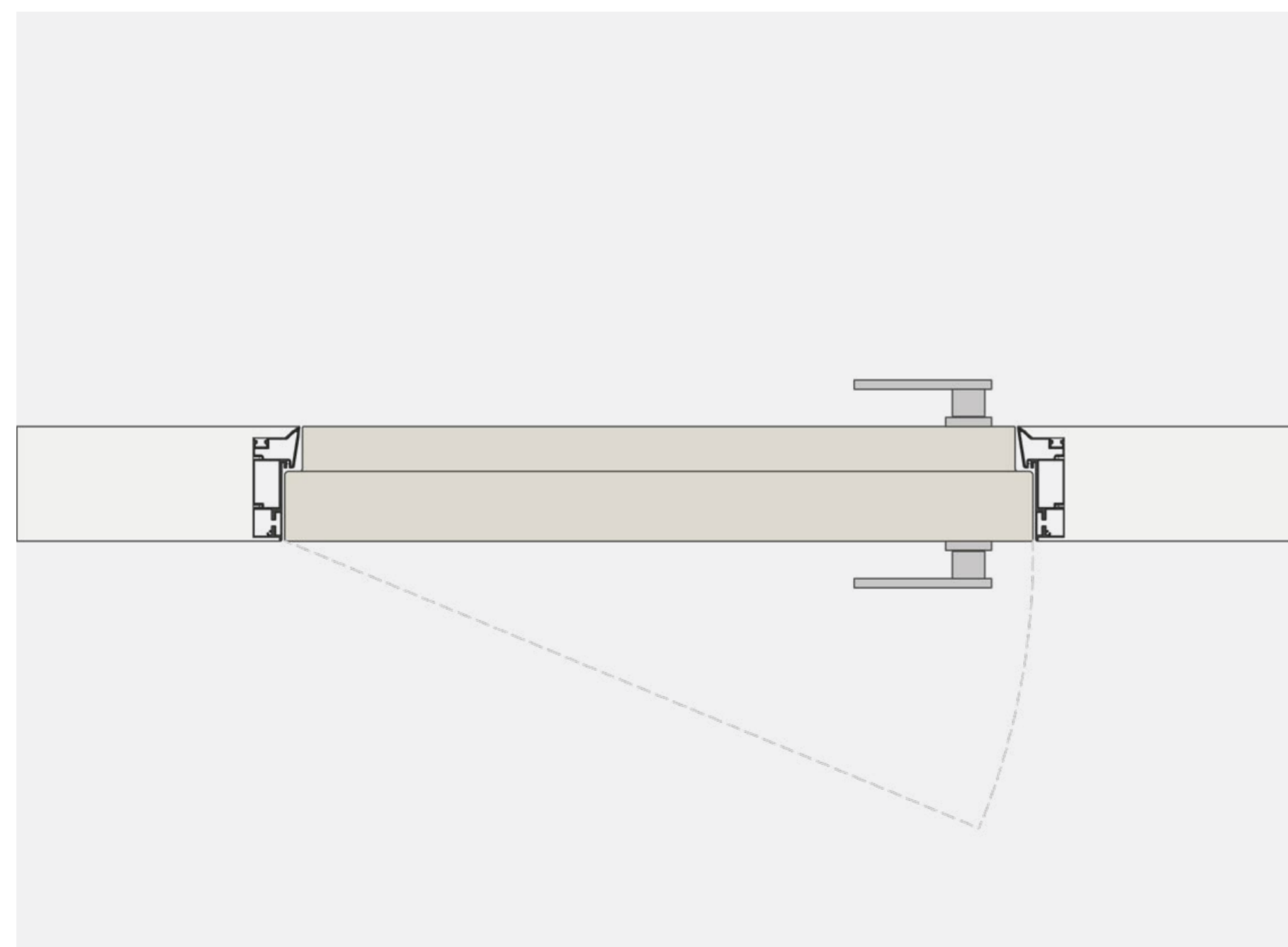
Simmetrical double door to pull



Jamb

DOOR FLUSH ON BOTH SIDES

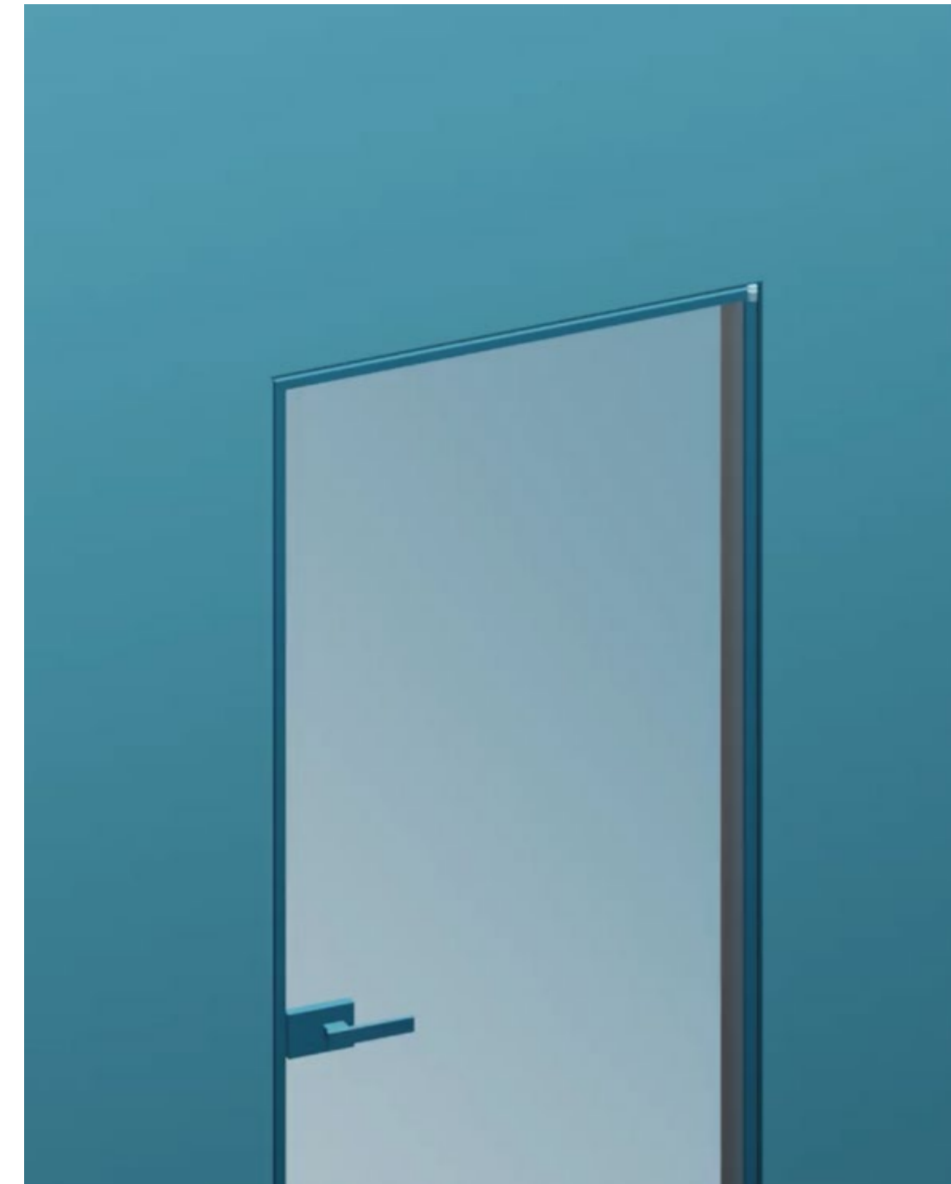
The “door flush on both sides” jamb is the ideal solution when the door needs to be flush on both sides of the wall. Suitable for 125 mm or 105 mm thick walls. Albed uses certified hinges that can be adjusted on three axes.



ALBED
MILANO 1964

Door Flush on Both Sides
Concealed Hinges
Model: INTEGRA

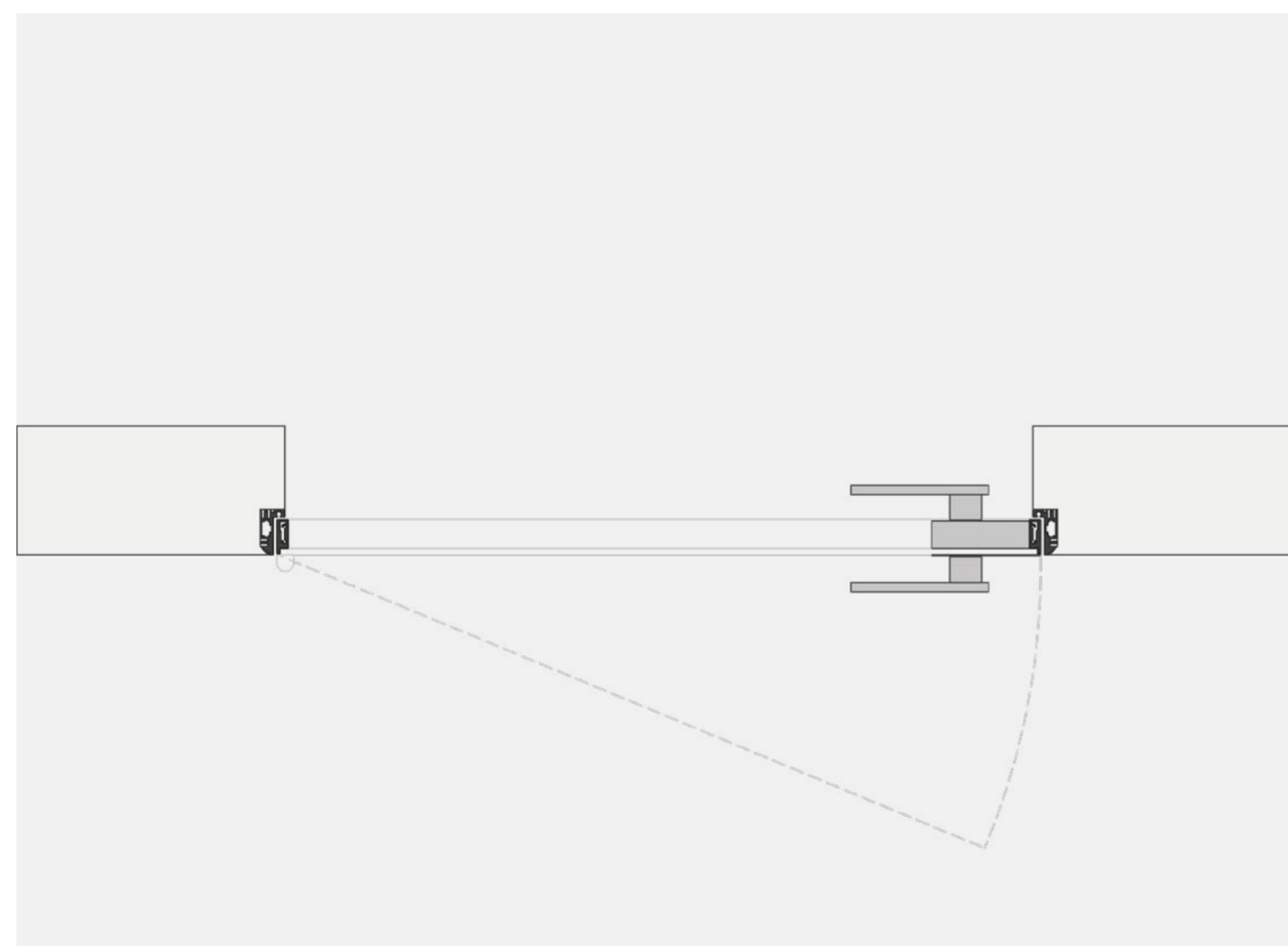




Jamb

FLUSH DOOR WITH EXTERNAL HINGE

The "flush door with external hinge" jamb can be used to include most doors in the Albed product system in the flush door solution. This makes it possible to install aluminium and glass doors flush as well, providing extreme design flexibility. It supports external pivot hinges which enhance its clean lines, with the door opening 180° (pull opening) or 90° (push opening). Albed's external pivot hinges are CATAS certified for 100,000 opening cycles for a 180° door.





Flush hinged door
External Hinge
Model: RING

Flush hinged door
External Hinge
Model: CELINE

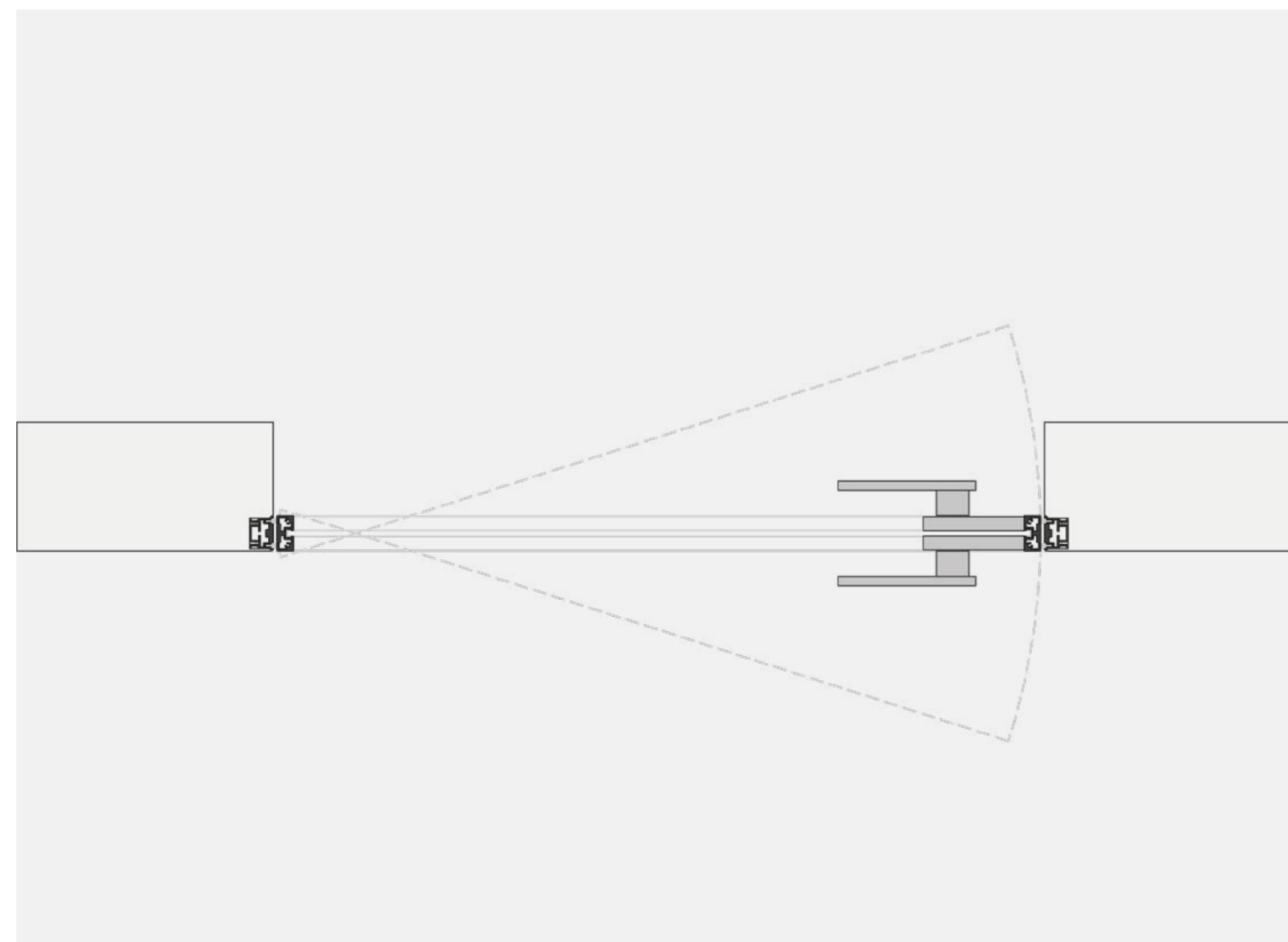




Jamb

PIVOTING FLUSH DOOR

The "Pivoting Flush Door" jamb combines the neat, welcoming character of the pivoting mechanism with the technical definition of the flush door solution. The door becomes a mobile architectural element, which rotates and disappears into the wall. The Albed pivoting mechanism does not require any adaptation on the floor. The door does not have a frame but the magnetic lock system automatically stops it in the closed position, remaining flush with the wall.

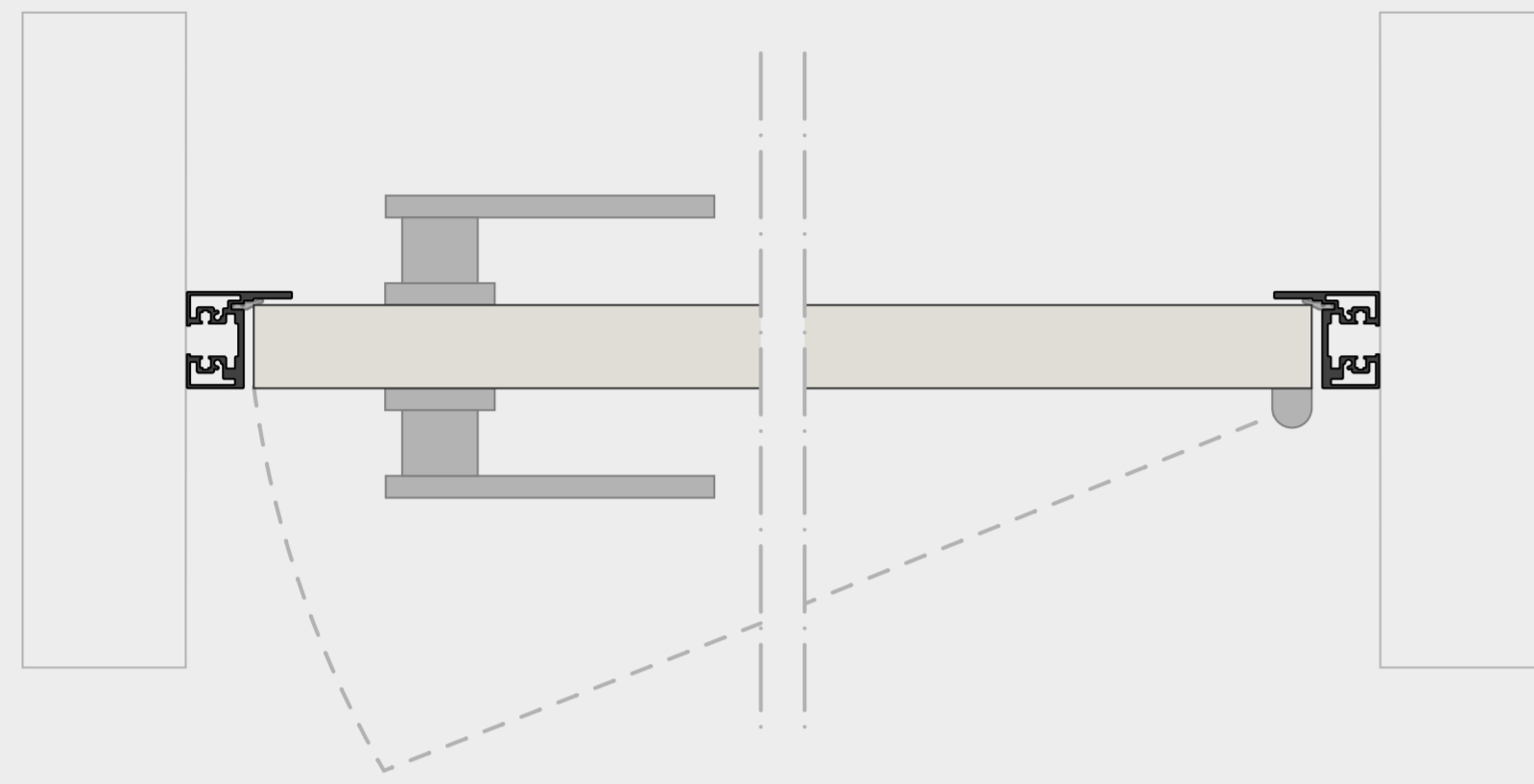




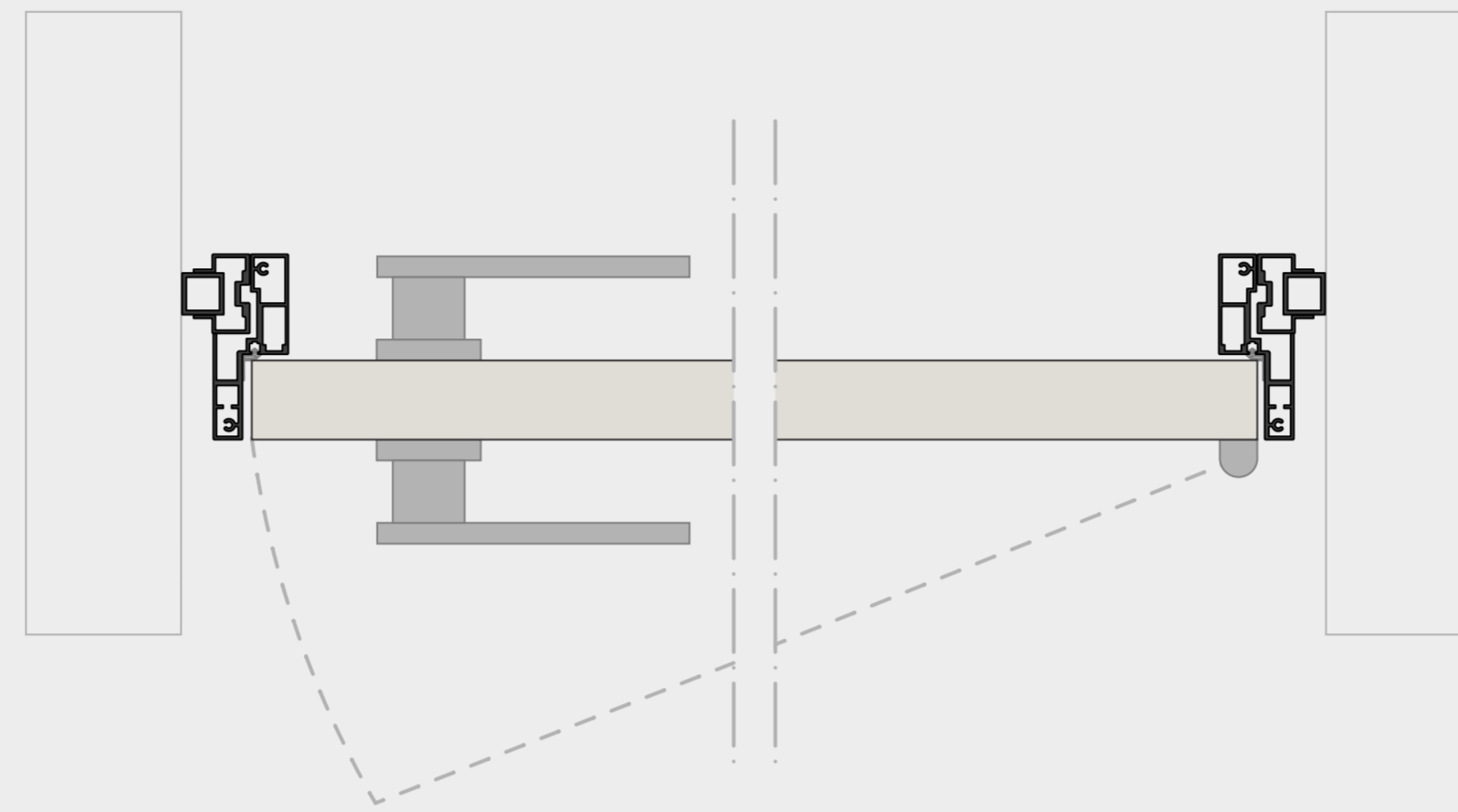
Tipology

DOOR WITHOUT BASIC DOOR FRAME

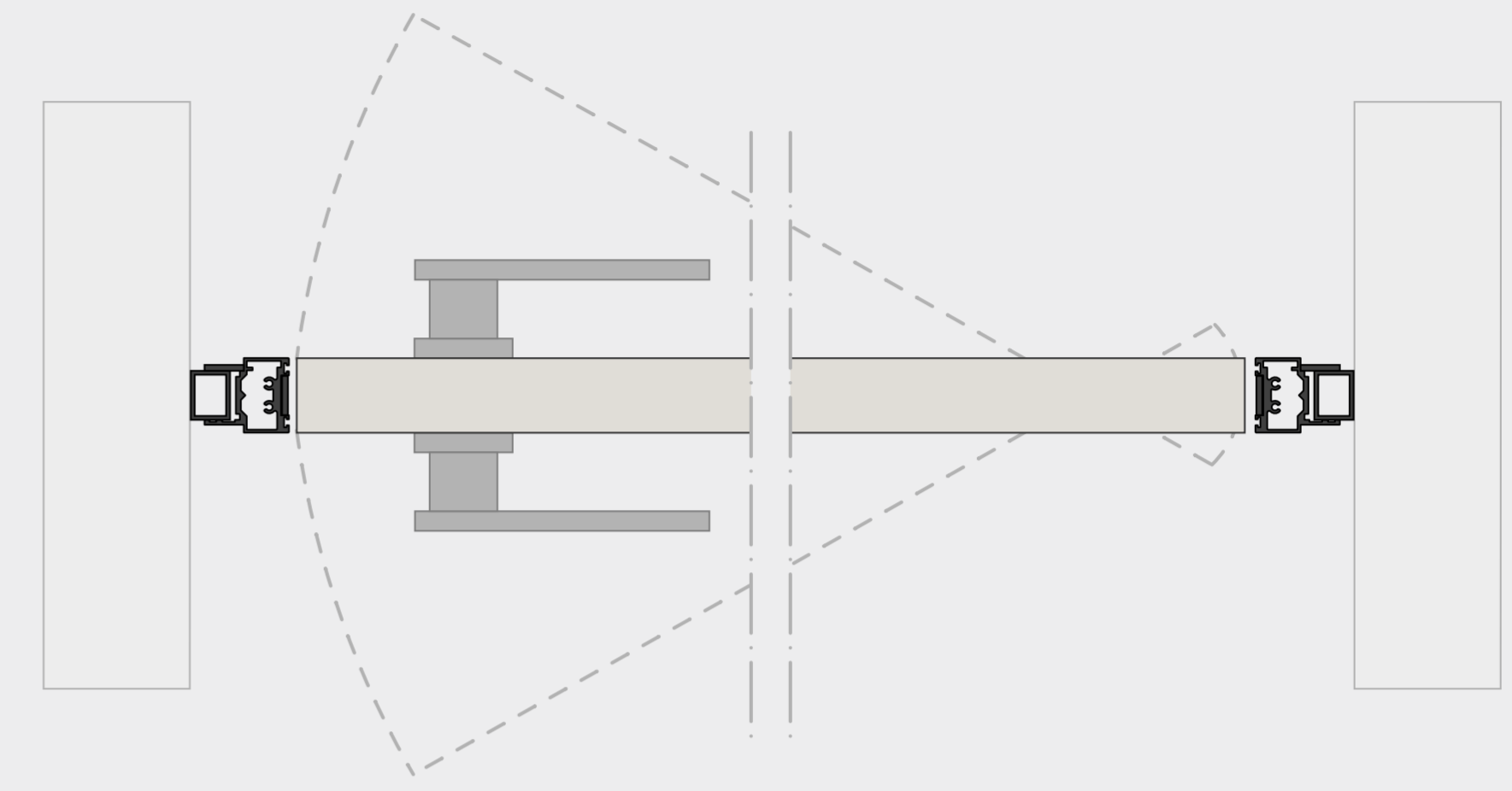
The “hinged without basic door frame” door is ideal for hinged doors when architectural preparatory works cannot be done. The frame is fixed to the walls themselves, covering the architectural opening without any preparation. Double hinged doors and doors with a transom are also available.



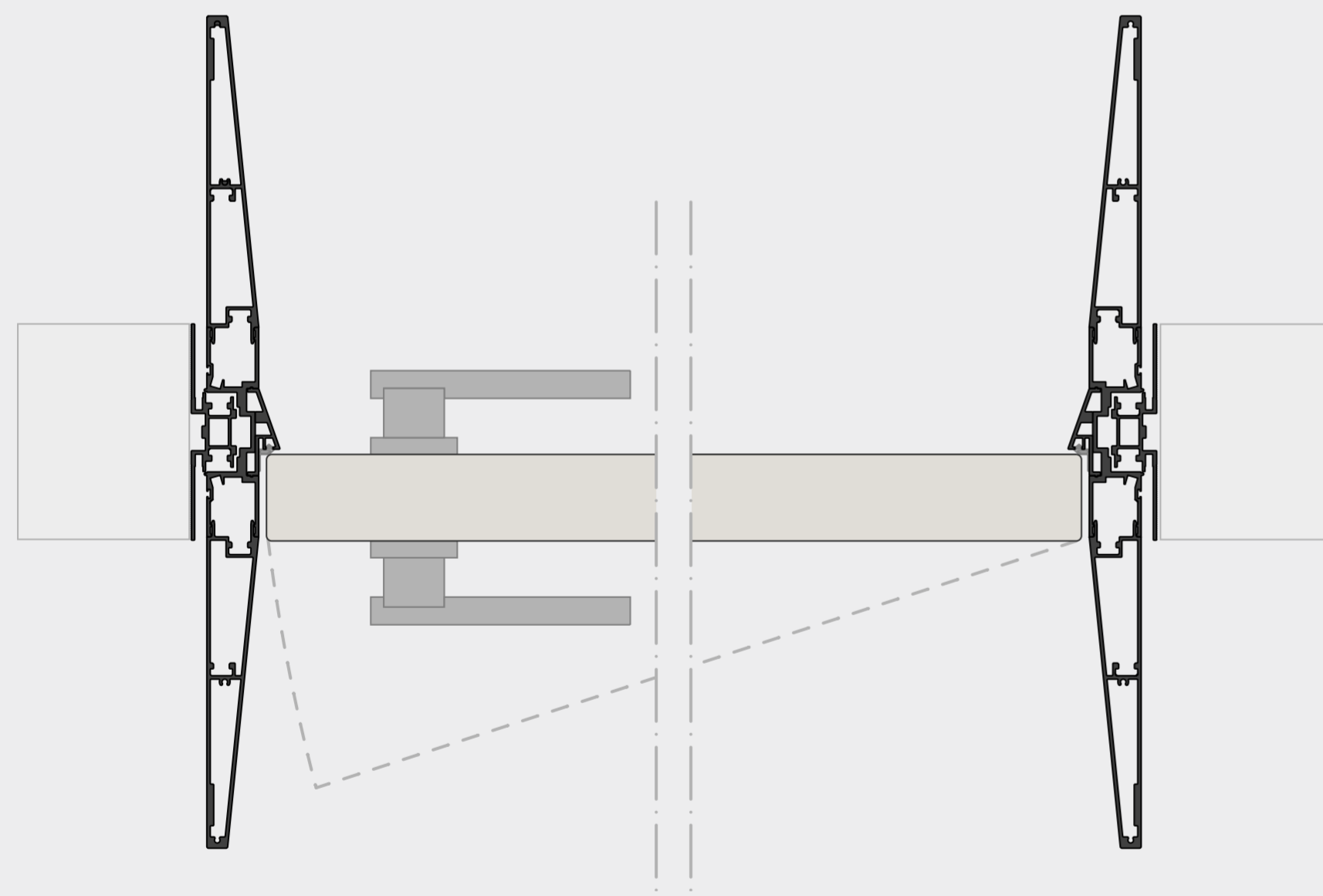
Single Frame
Jamb



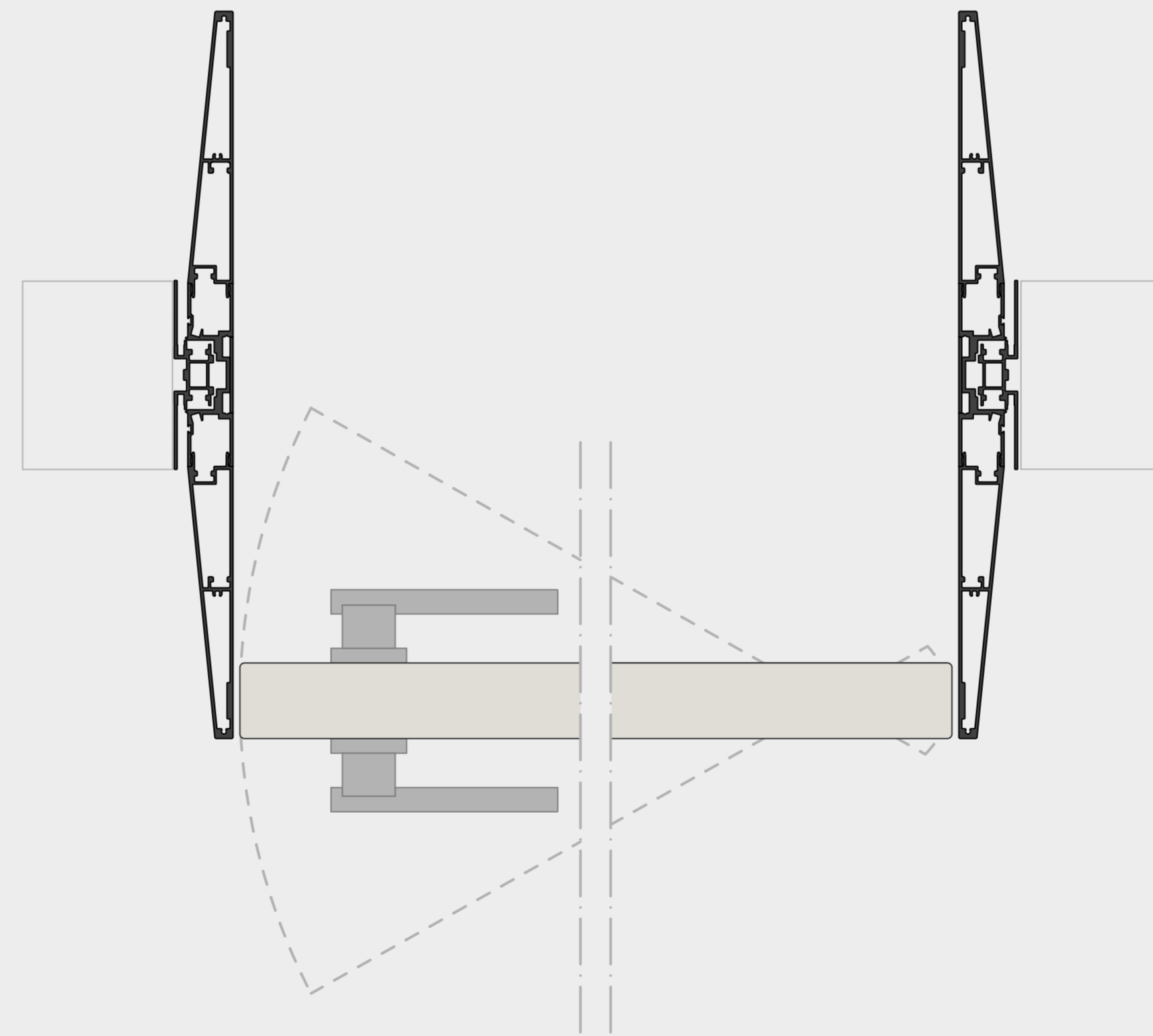
Double Frame
Jamb



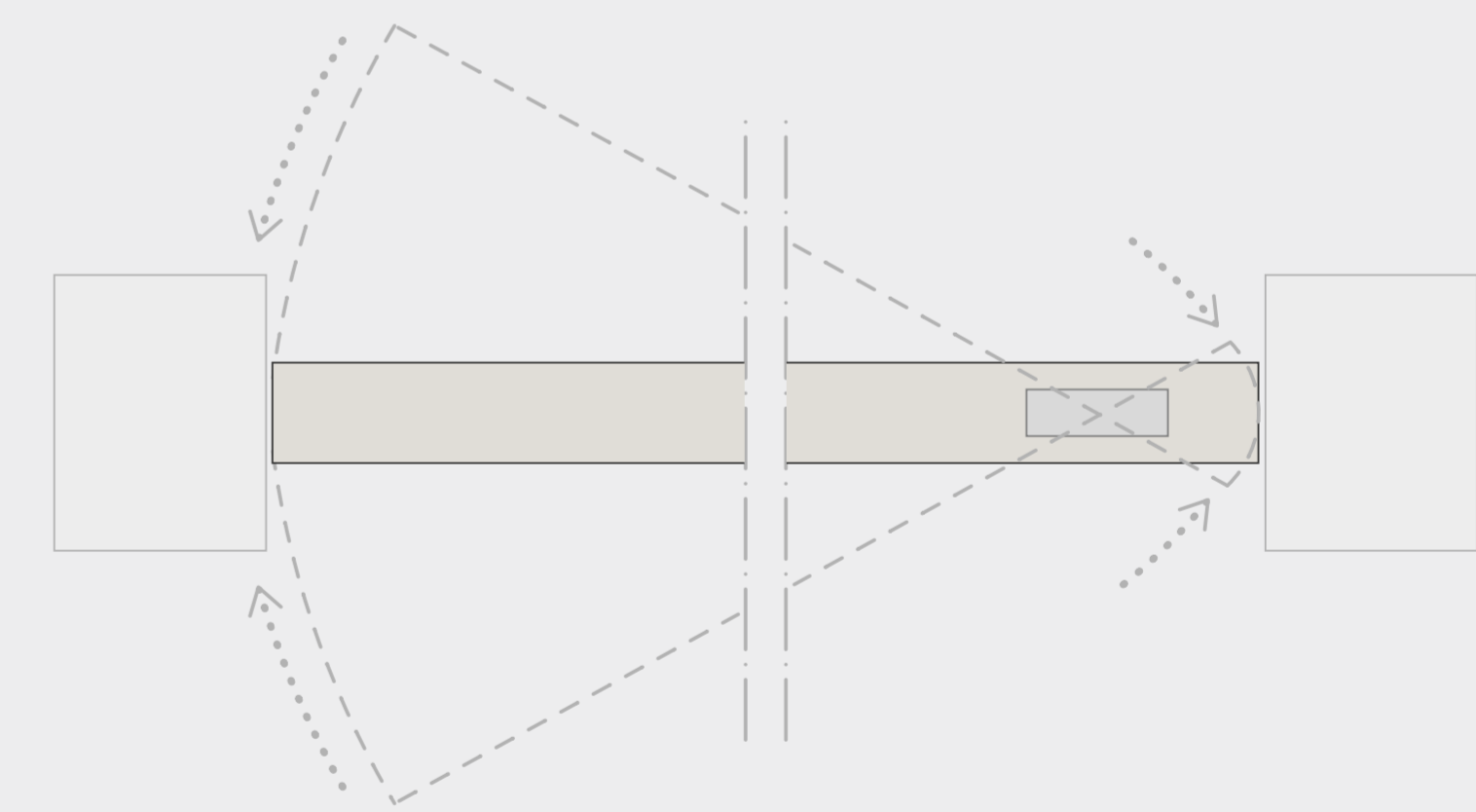
Pivoting Frame
Jamb



Hinged Portal
Jamb



Pivoting Portal
Jamb



Pivoting without Jamb



Door without basic door frame
Double Frame Jamb
Model: QUADRA



Door without basic door frame
Double Frame Jamb
Model: QUADRA



Hinged, without basic door frame
Double Frame Jamb
Model: QUADRA



Door without basic door frame
Pivoting frame jamb
Model: CELINE

Door without basic door frame
Pivoting portal jamb
Model: ENTRE DEUX



Door without basic door frame
Hinged portal jamb
Model: ENTRE DEUX



Door without basic door frame
Hinged portal jamb
Model: ENTRE DEUX



Series of
Door without basic door frame
Pivoting without Jamb
Model: SUIT



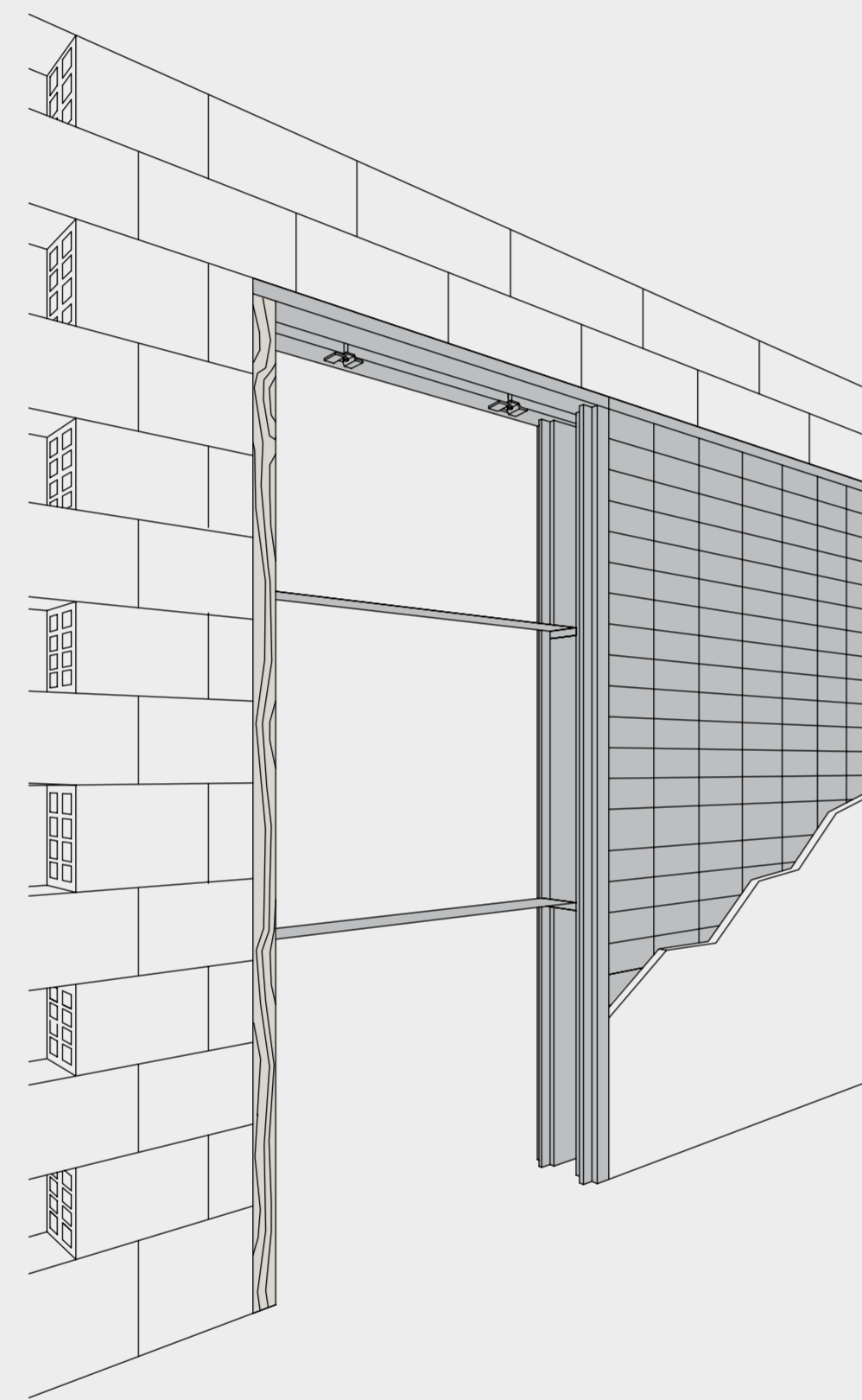
Tipology

POCKET DOOR

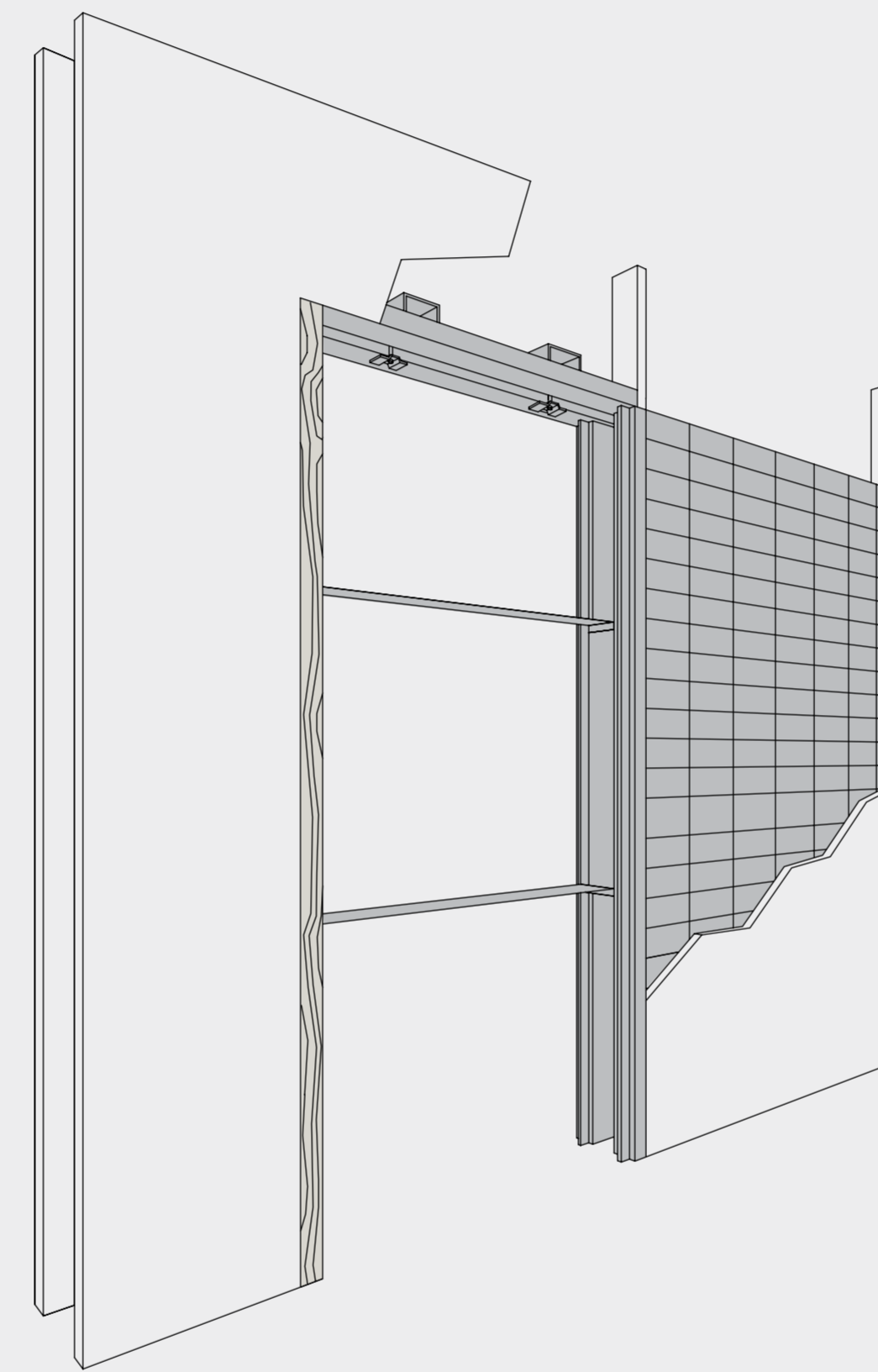
The “pocket” door is ideal for anyone with limited space, because it disappears into the thickness of the wall. This solution frees up space that is normally taken up by the opening radius of a traditional hinged door. It can be made with off-the-shelf metallic counterframes or by using the Albed pocket rail.



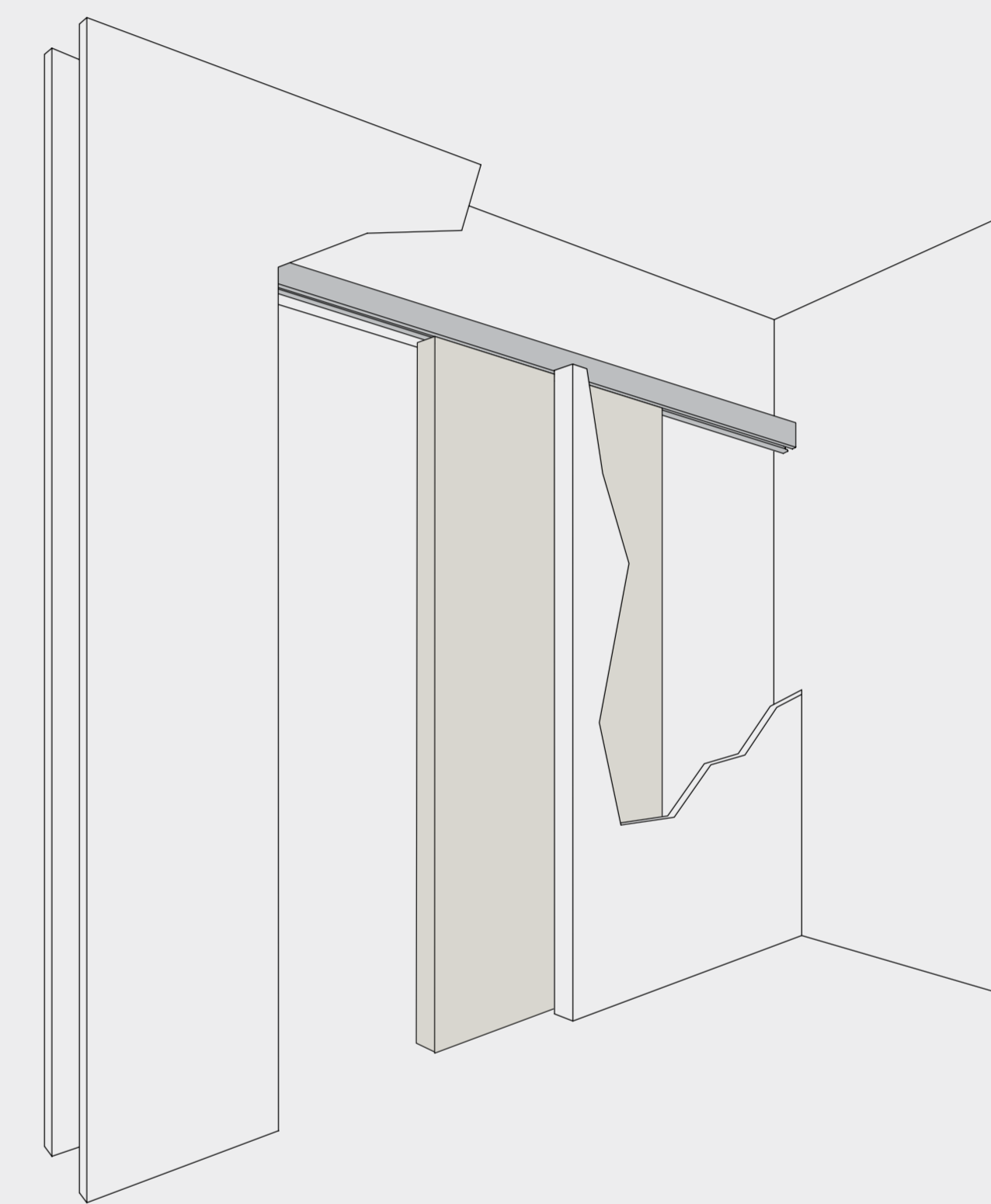
Pocket Doord
Without jambs
Model: QUADRA



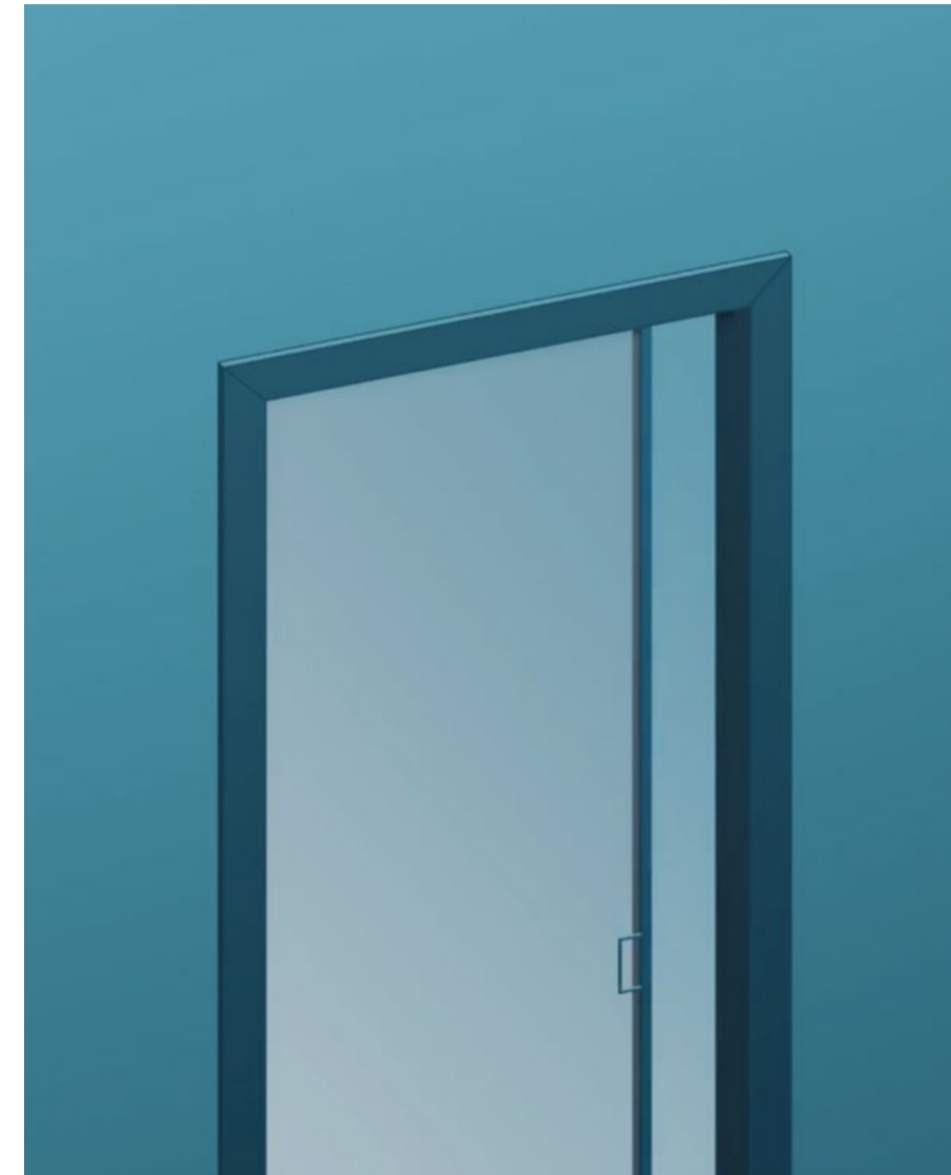
Pocket door
on the wall



Pocket door
on plasterboard



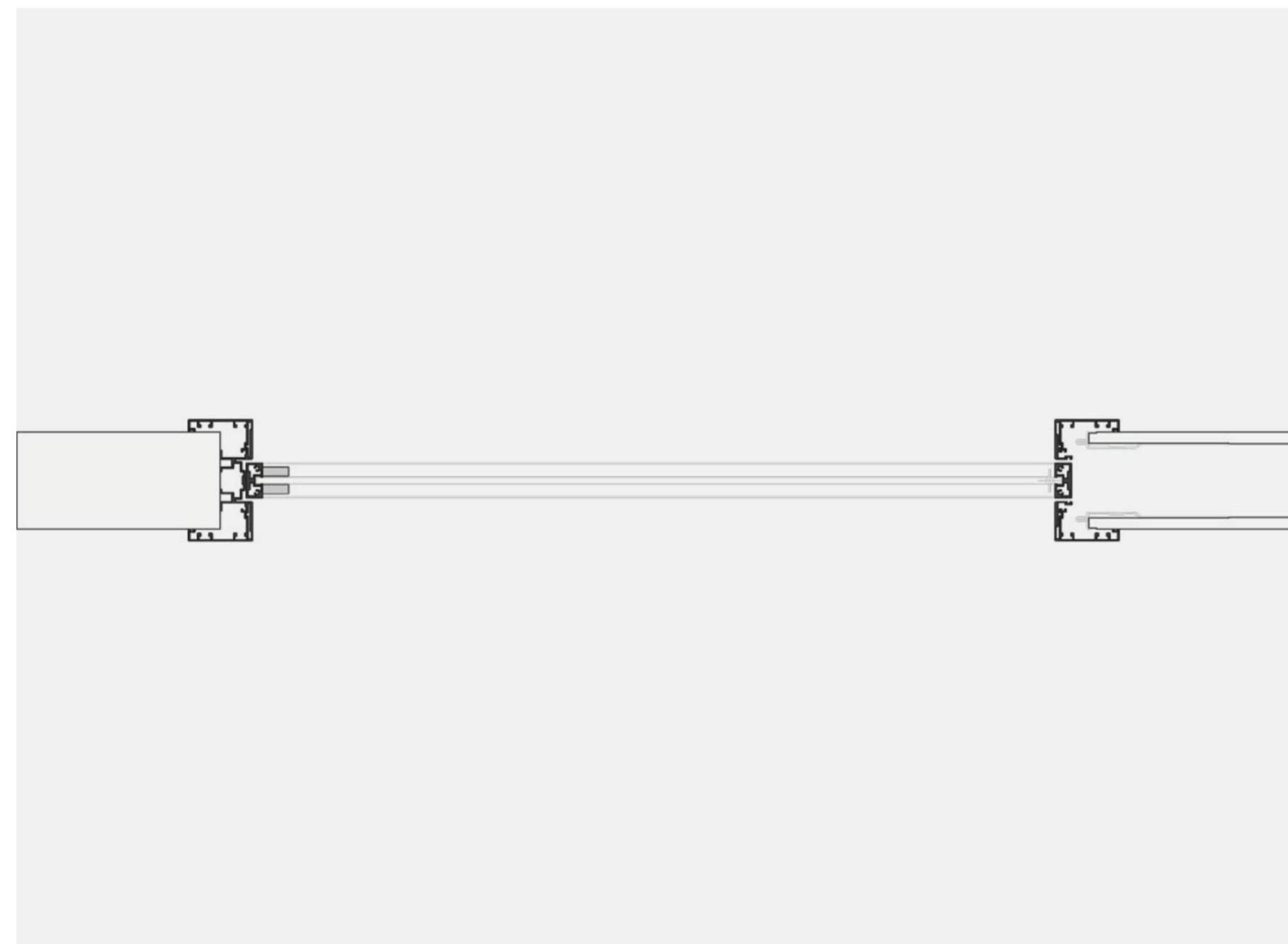
Pocket door
without counterframe
(Rail with kit pocket)



Jamb

JAMB 45°

The aluminium jamb cut at 45° is the minimal solution that involves technical precision and attention to detail, when it comes to classical framing of door openings. It is fitted into a traditional door frame and can be adapted to suit all wall thicknesses from 60 mm to 300 mm, thanks to the built-in telescopic system and the adjustments.



Pocket Door
Jamb 45°
Model: DOT



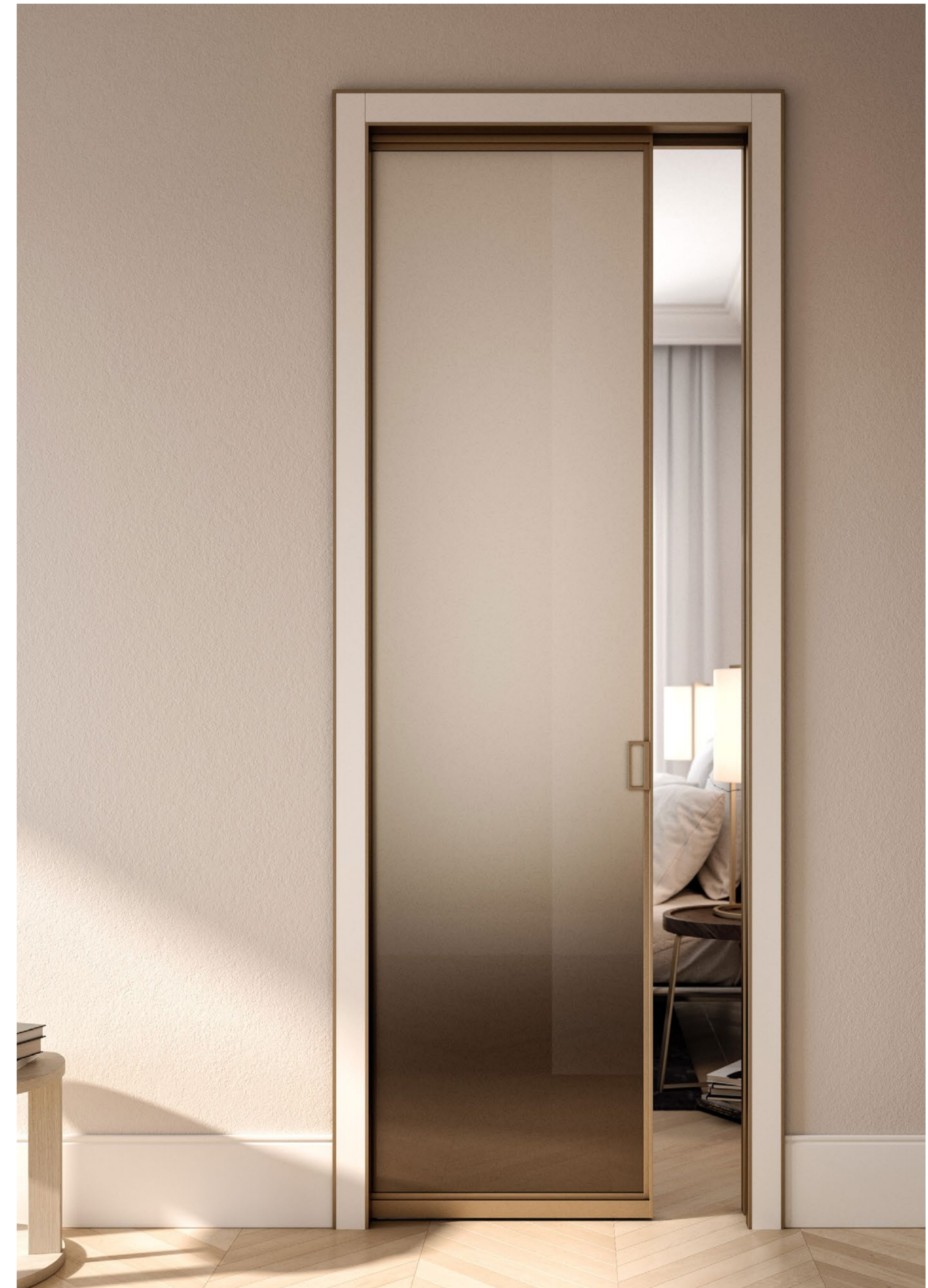
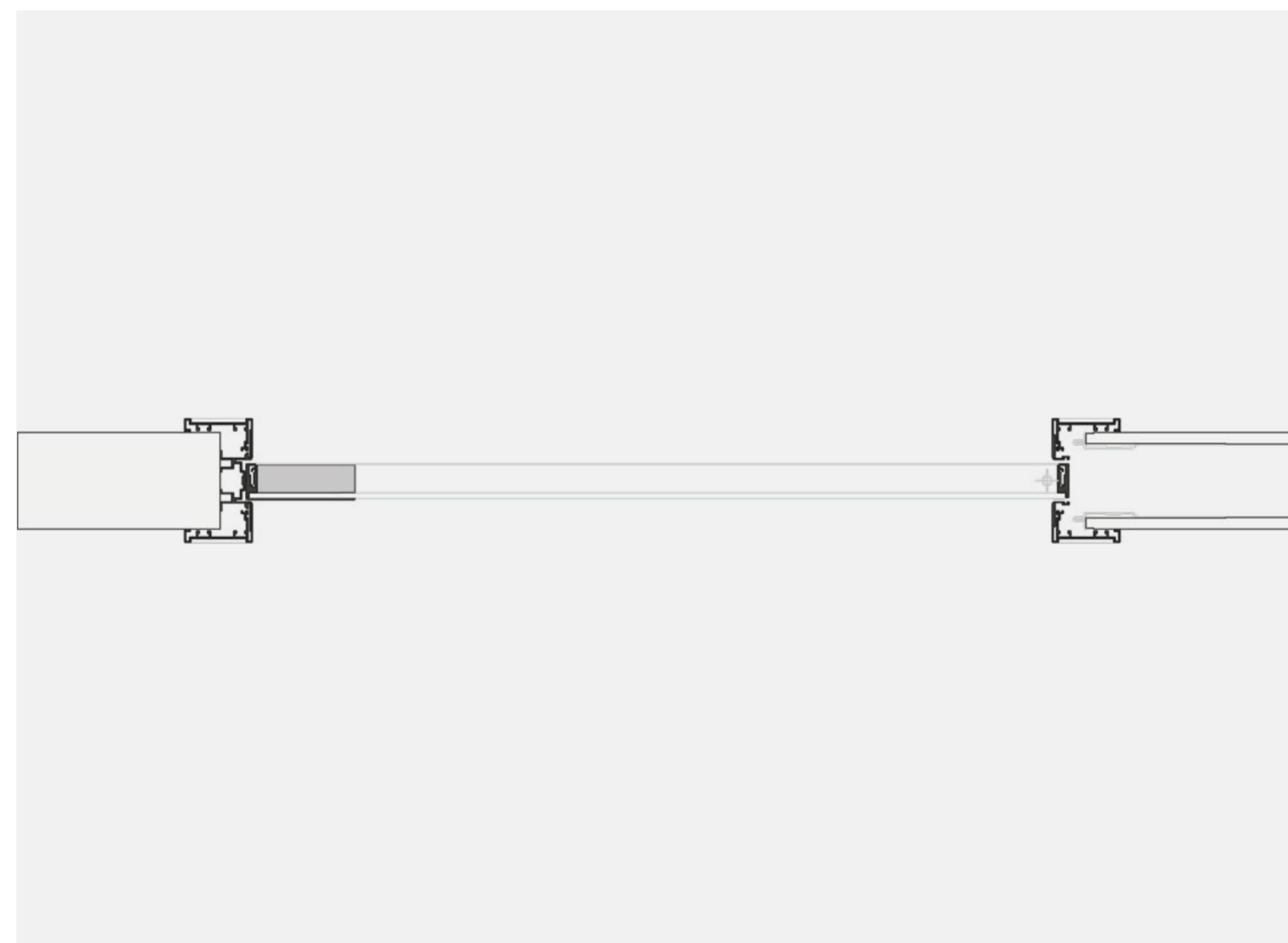
Pocket Door
Jamb 45°
Model:DOT - Handle detail



Jamb

CUSTOMIZABLE JAMB

Albed's customizable aluminium jamb includes the 45° jamb with a finishing list, flush with the frame, which makes it possible to customize the finish on the jamb. As a result, materials and finishes can be used creatively. Wood, glass, and metal combine to meet the most demanding aesthetic requirements.

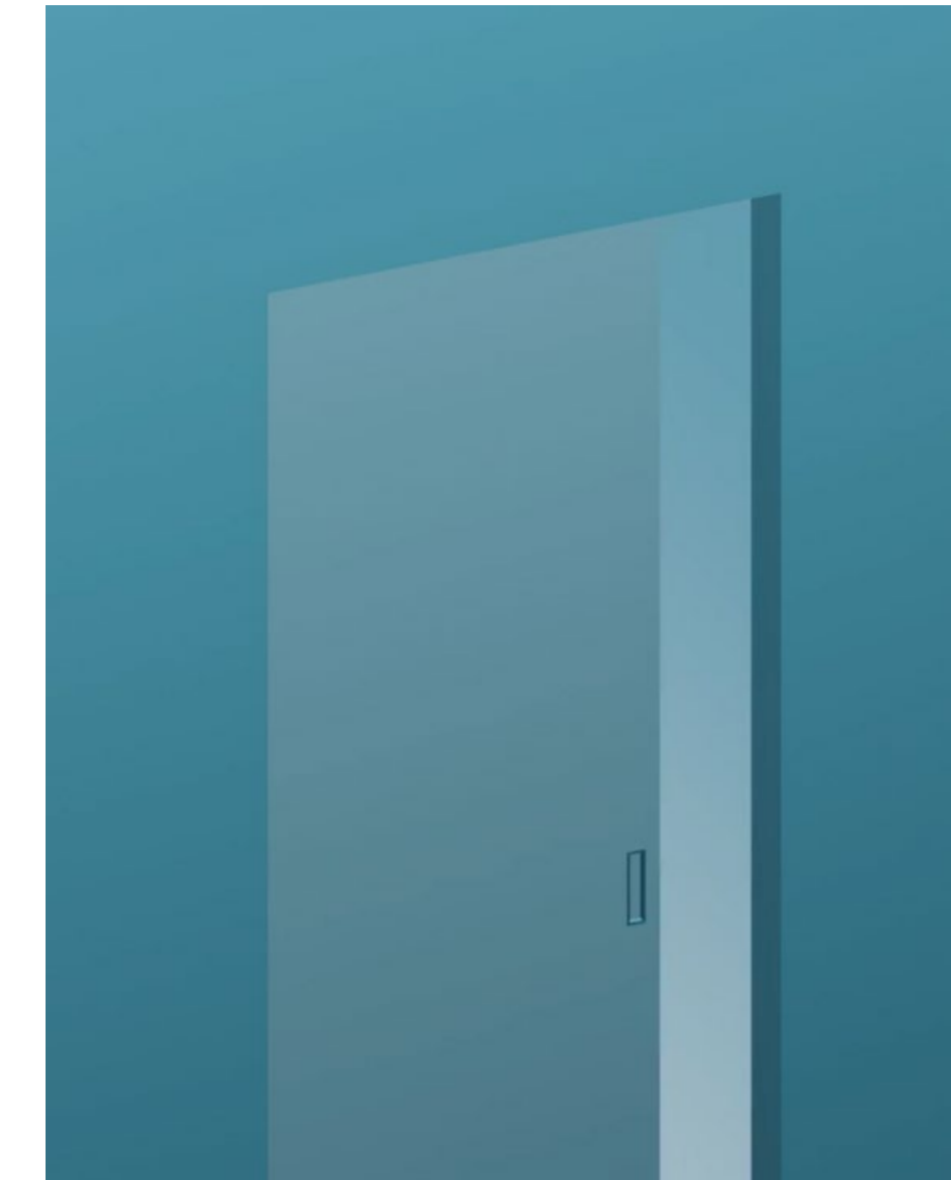




Jamb

SLIM JAMB

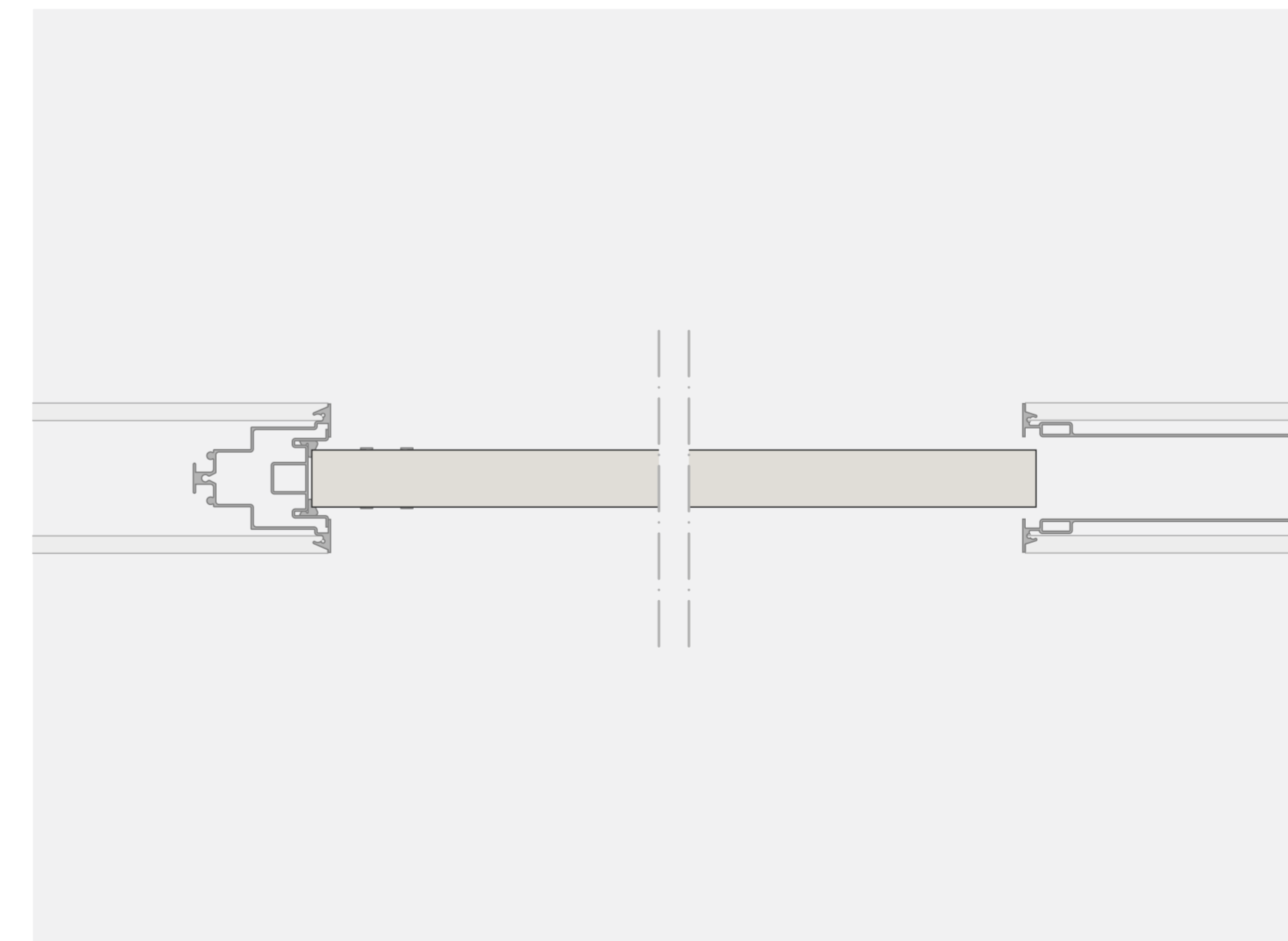
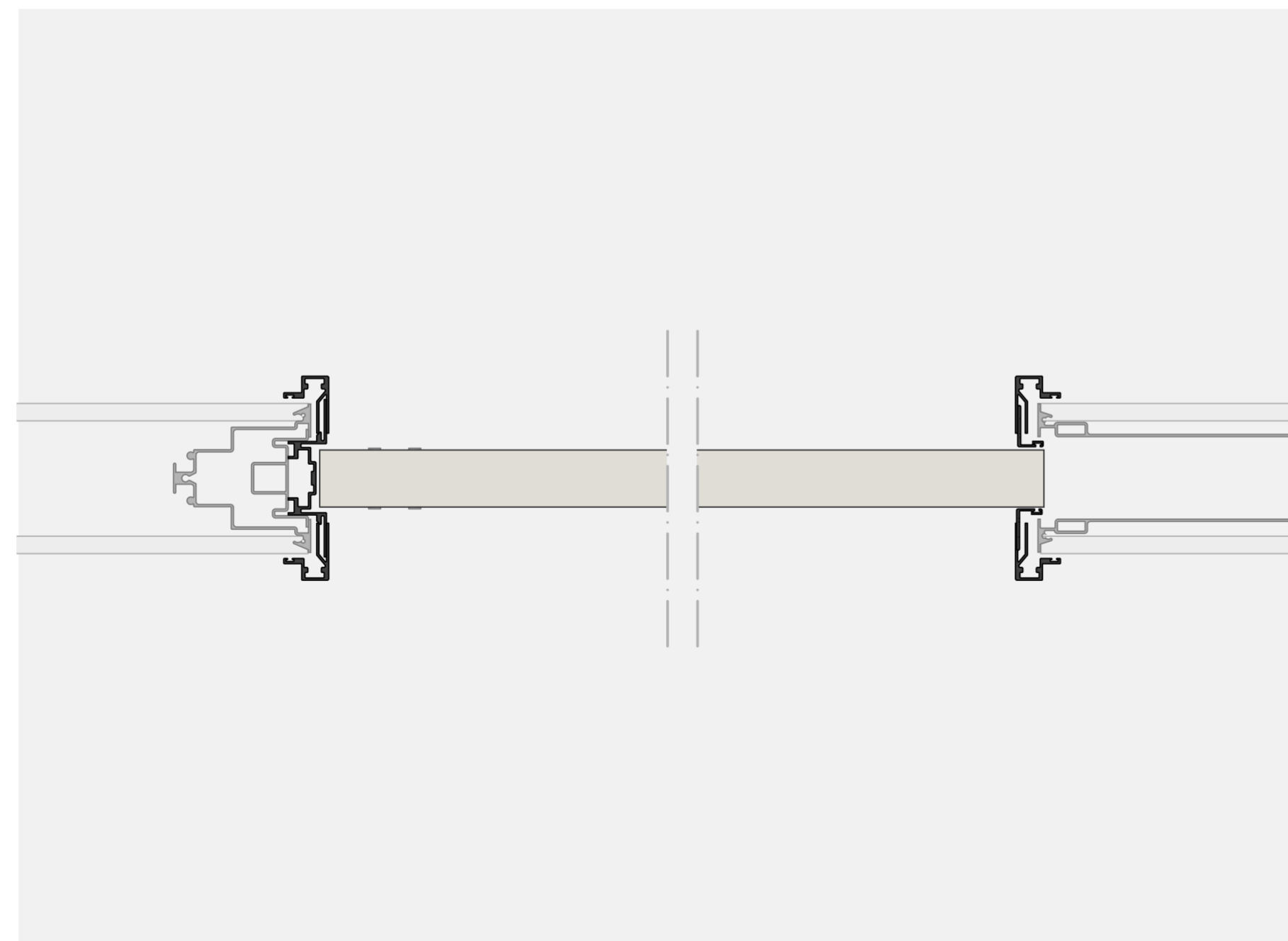
The Slim Jamb is an external profile in which the door system's thicknesses and technical details are reduced to a minimum to achieve refined technical insertion of the door panel into the wall. Its clean lines define a very slim frame around the door opening, outlining the way through.

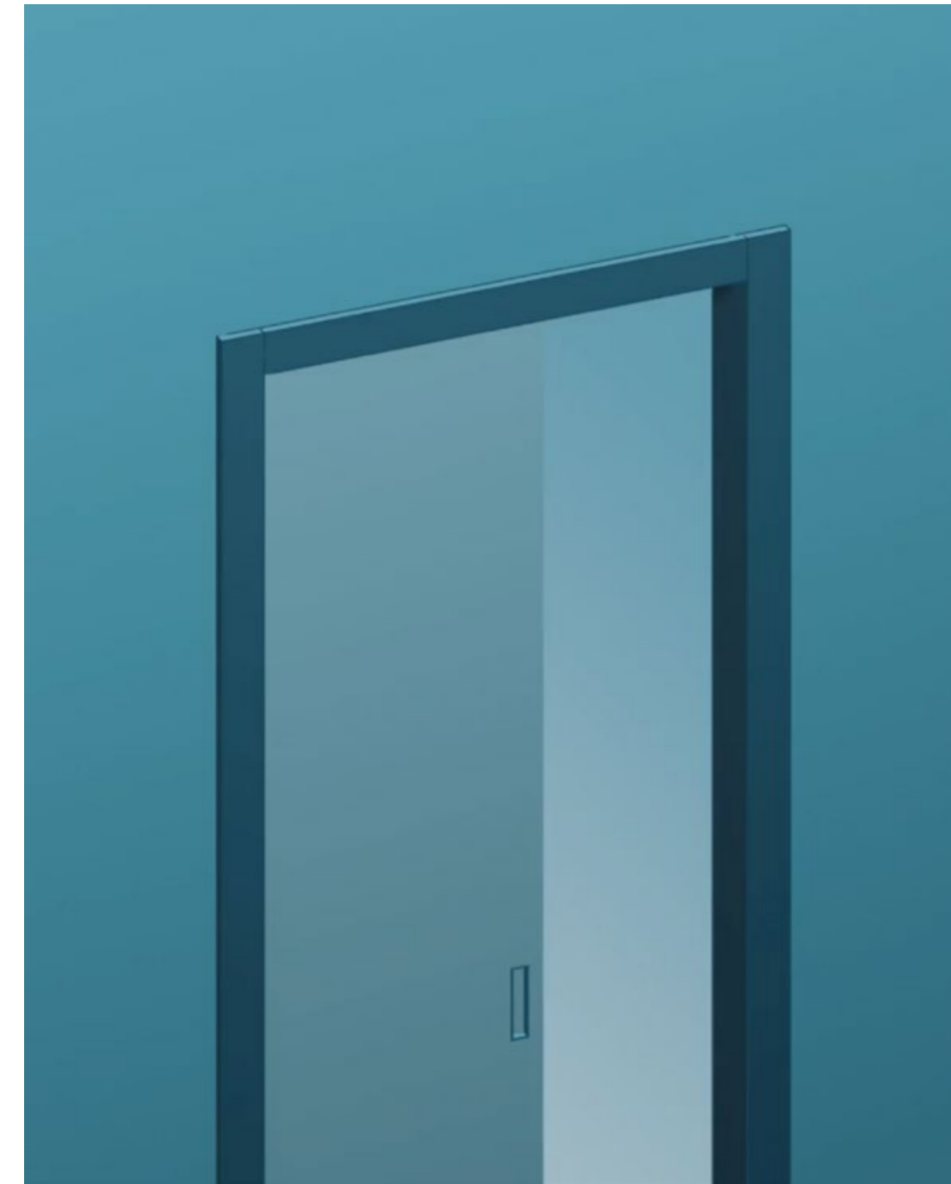


Jamb

WITHOUT JAMB

The "without jamb" solution is the most radically minimal version of the pocket door, which highlights the architectural door opening, with edges and intradoses managed perfectly.

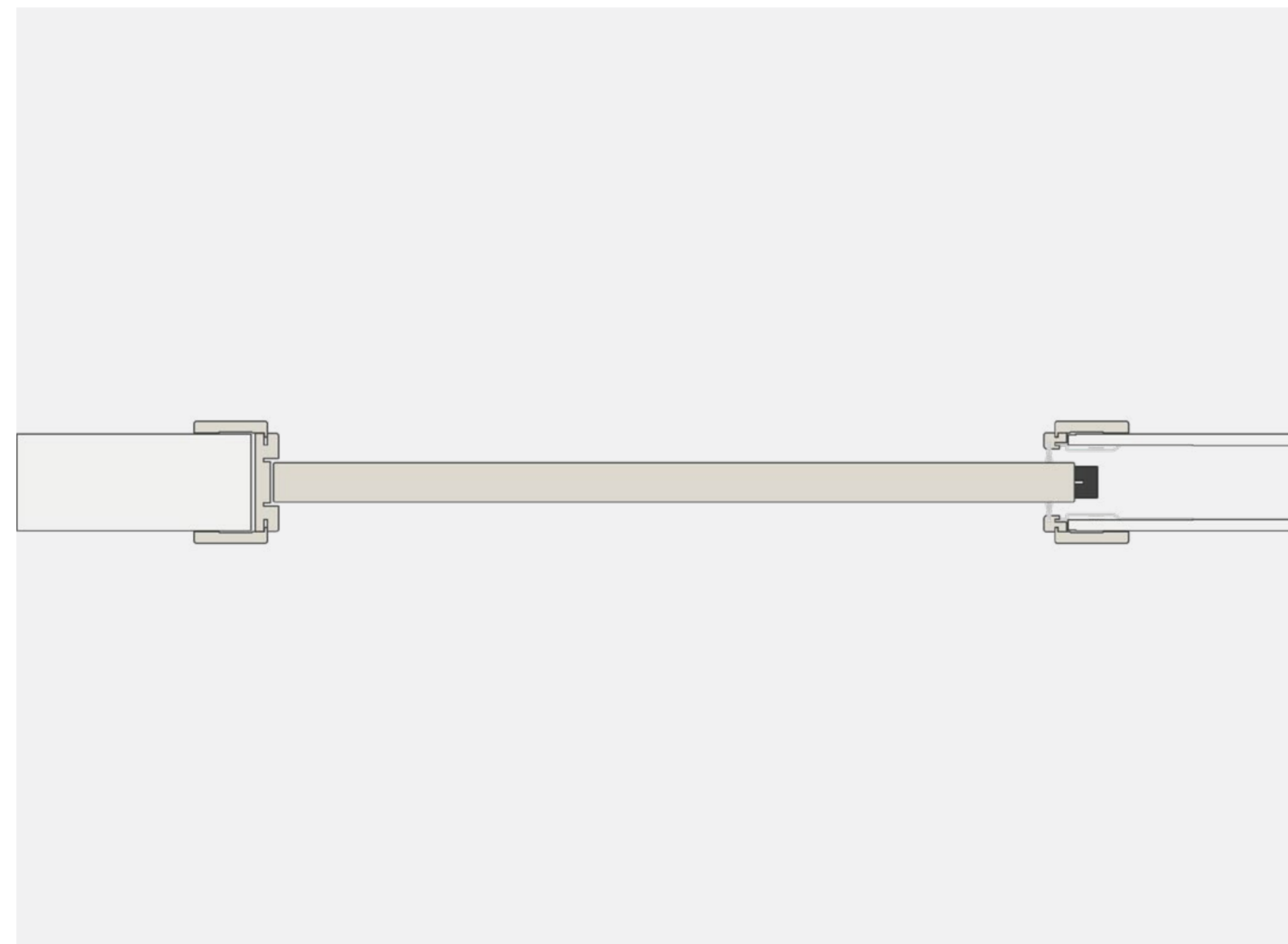




Jamb

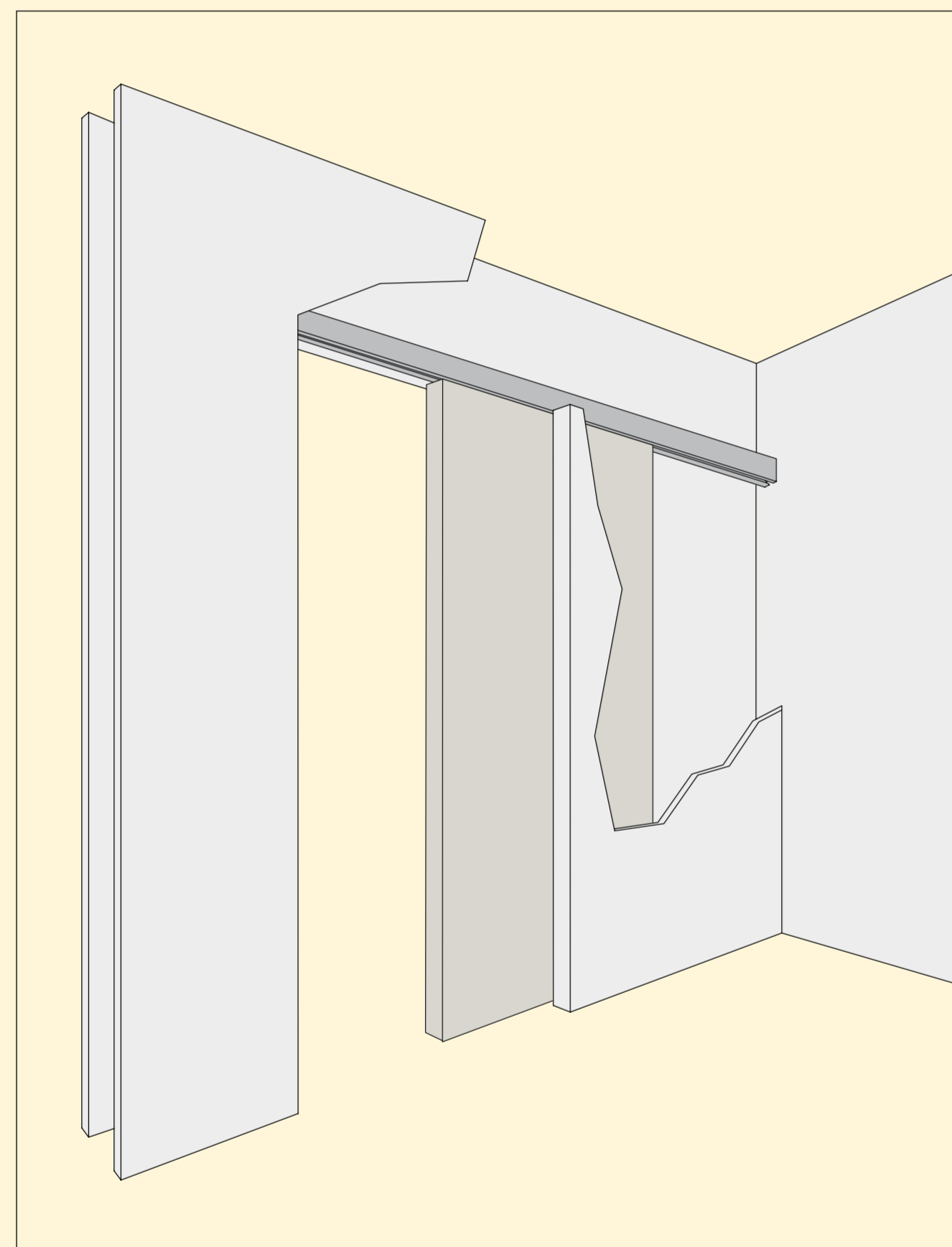
WOODEN JAMB

A wooden jamb is the best traditional solution for the door system. It is fitted into a wooden door frame and can be adapted to suit all wall thicknesses from 60 mm to 300 mm, thanks to the built-in telescopic system and the adjustments.

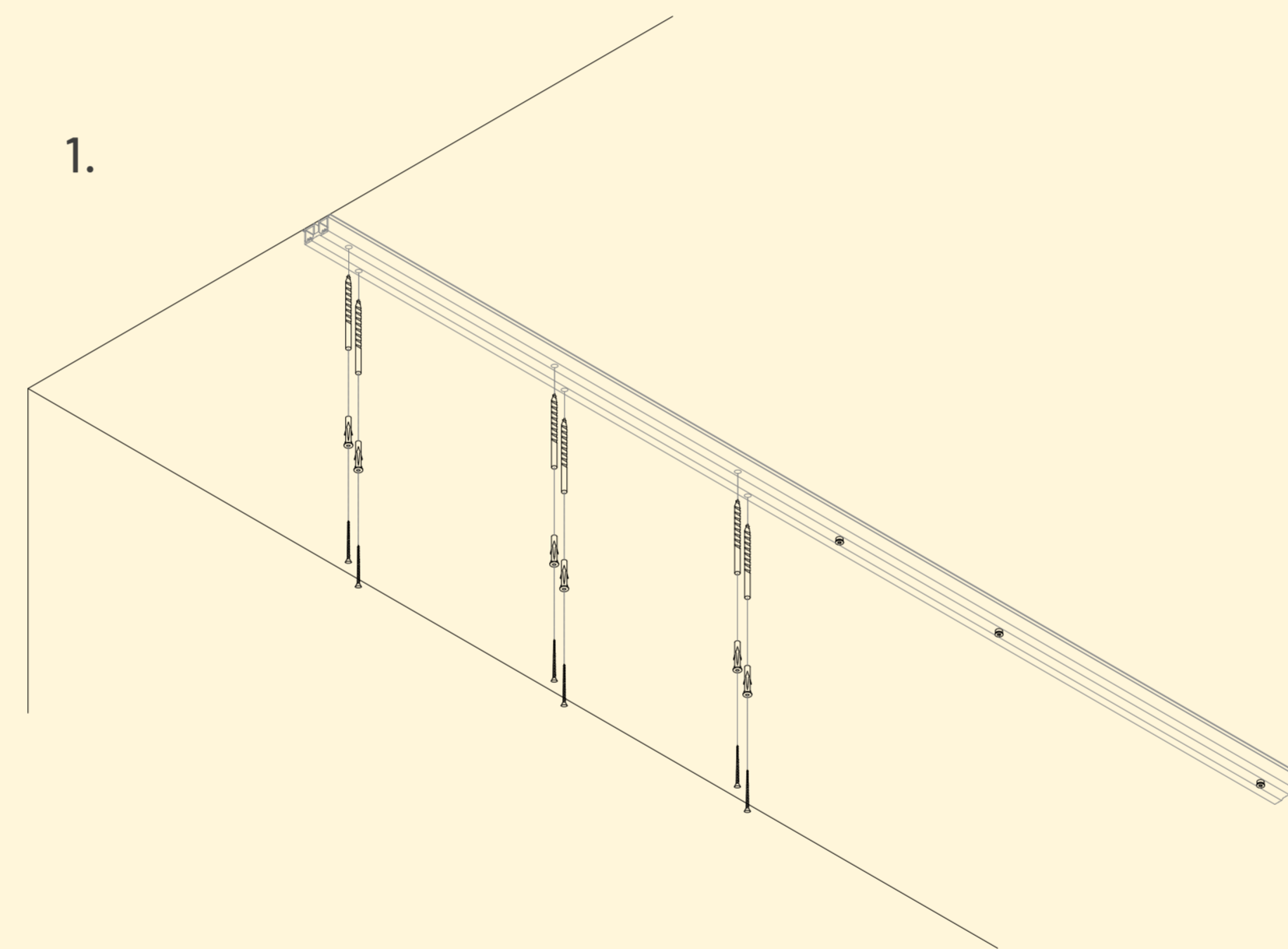


RAIL WITH KIT POCKET

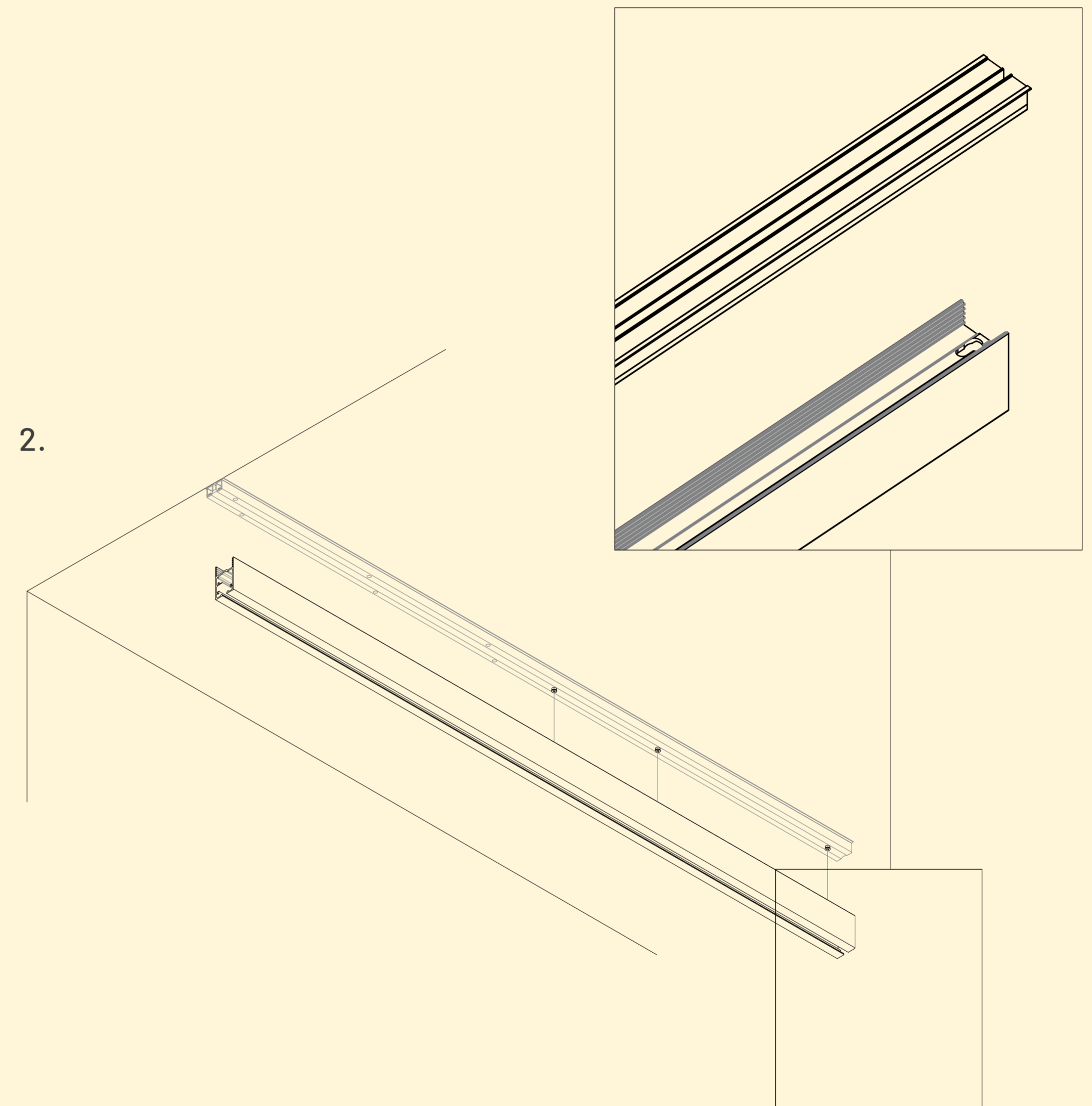
Installation instructions



1.

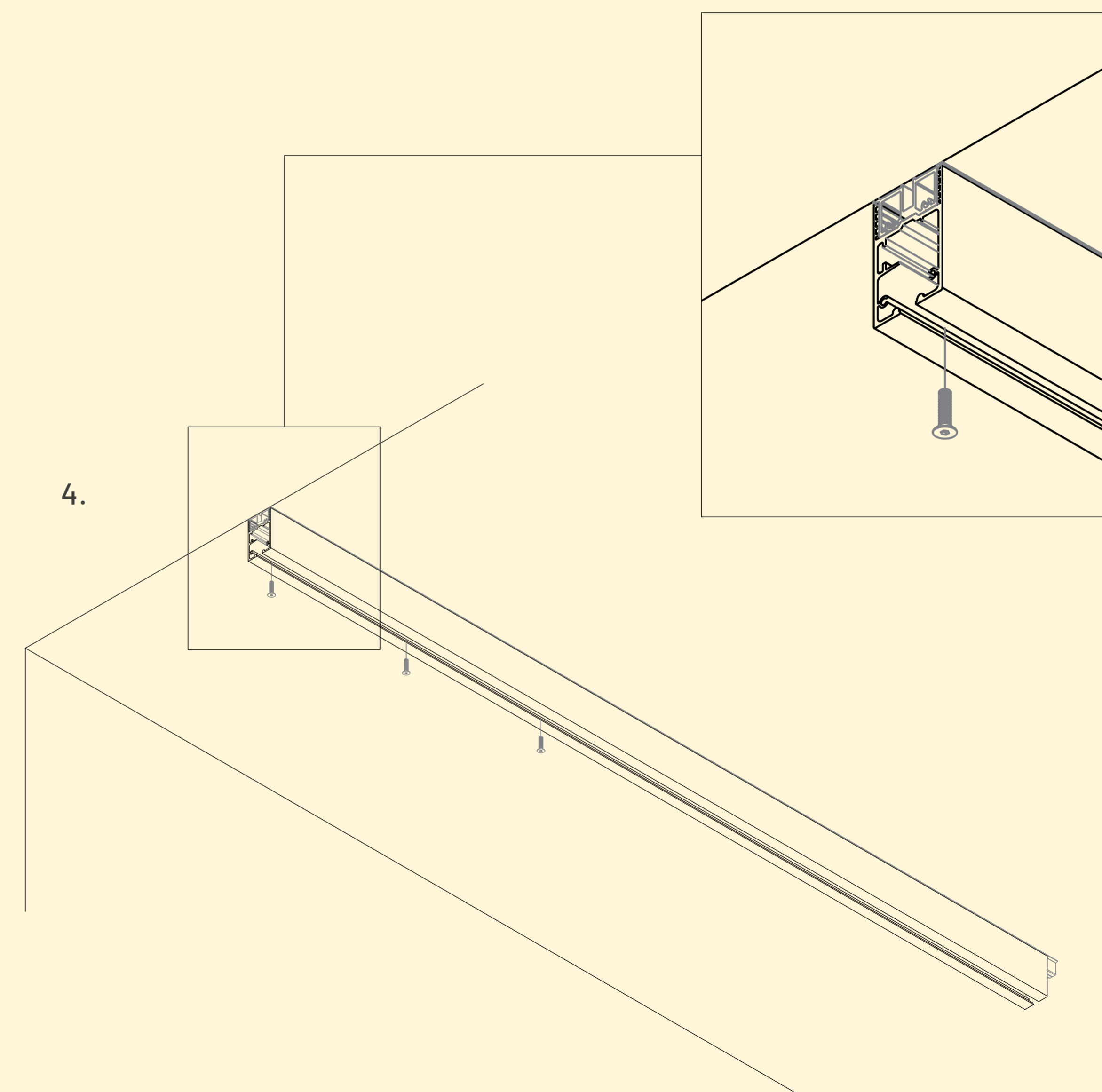
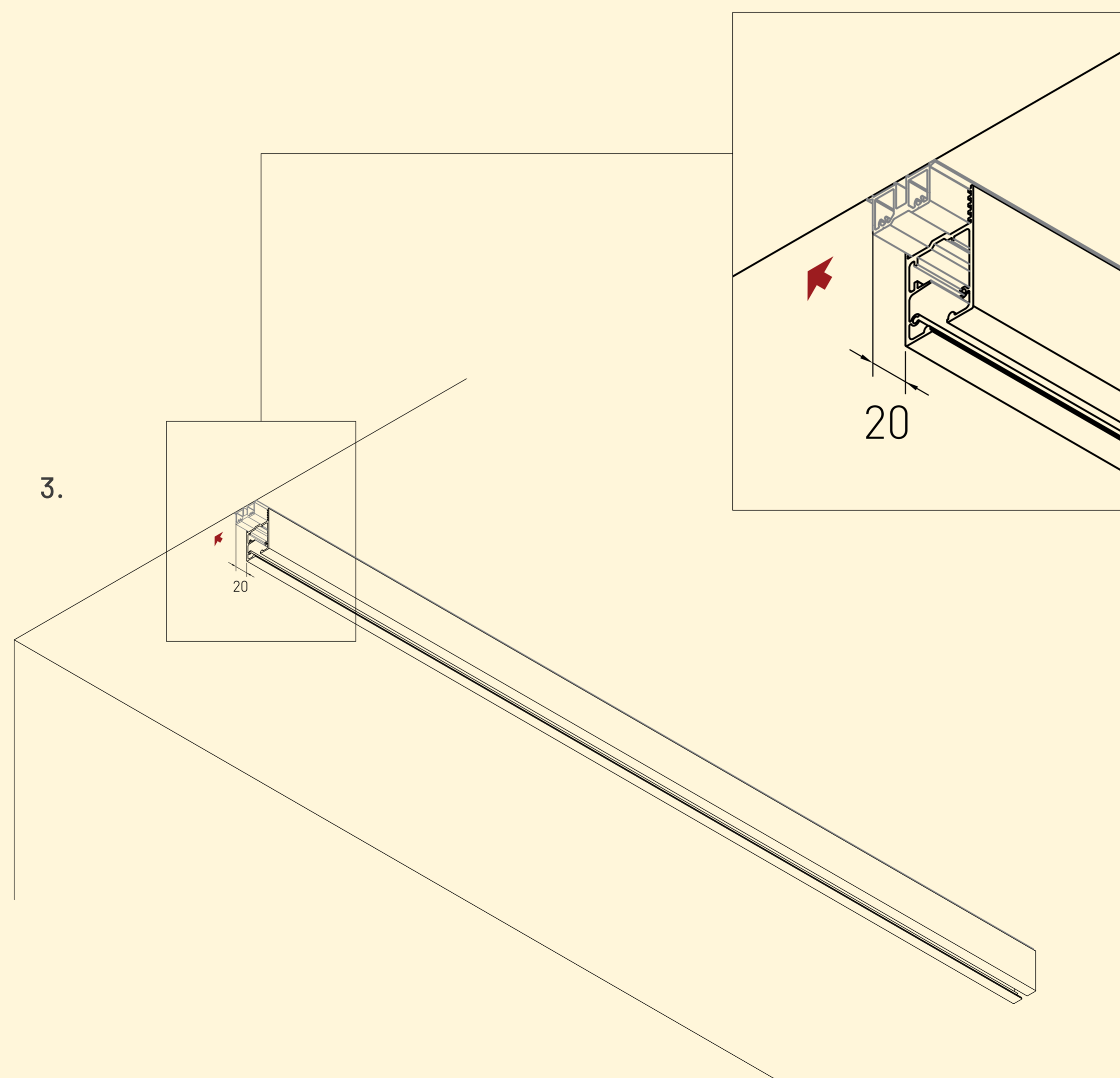


2.



RAIL WITH KIT POCKET

Installation instructions





Tipology

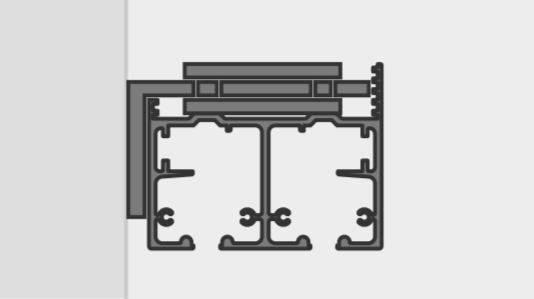
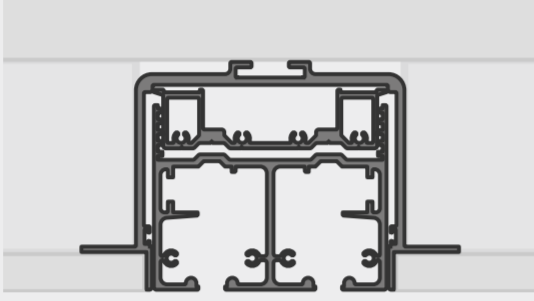
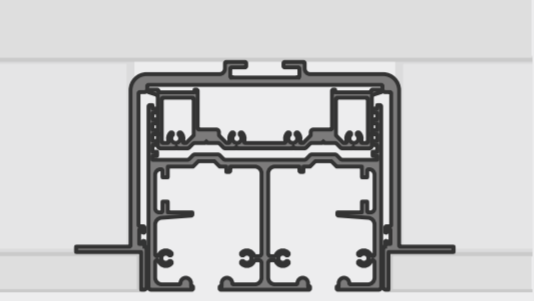
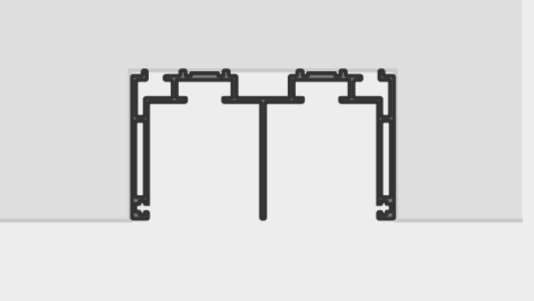
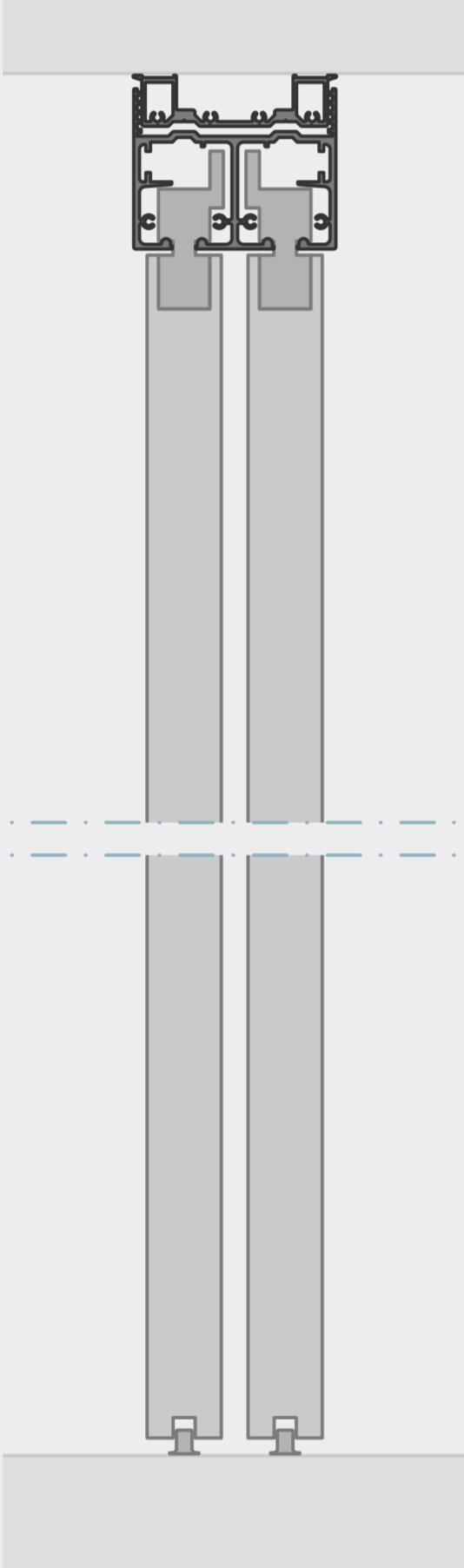
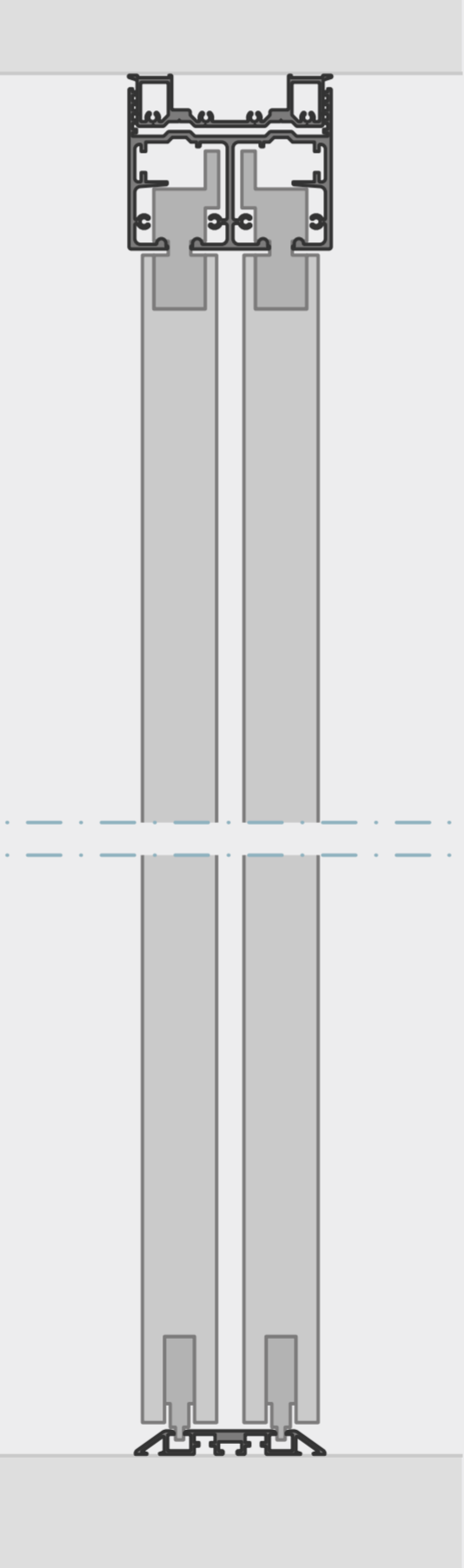
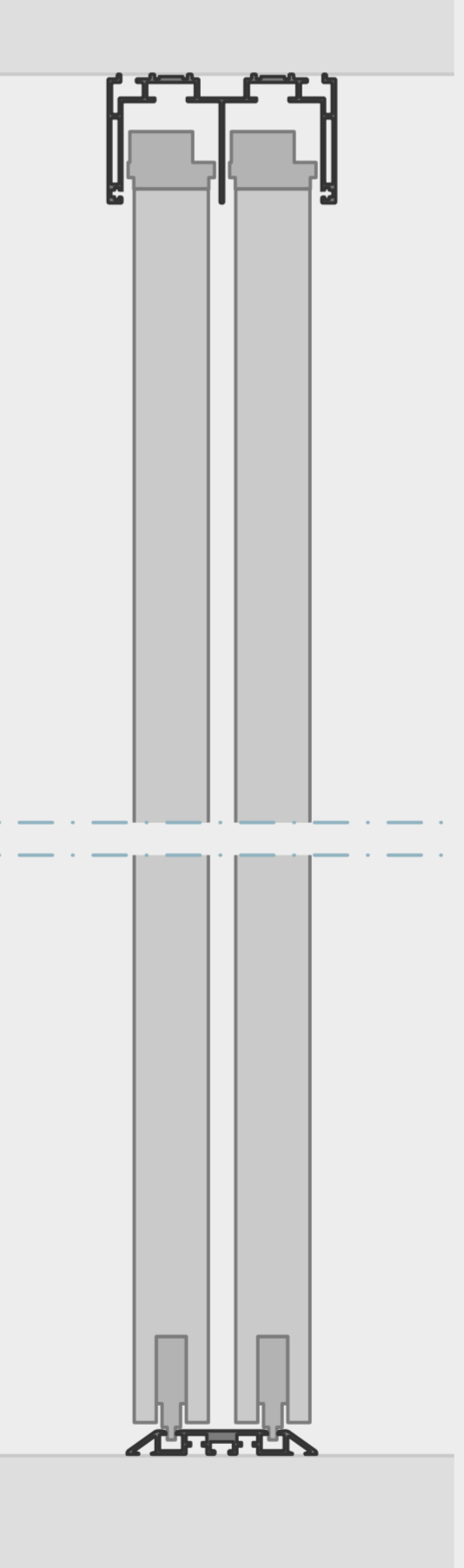
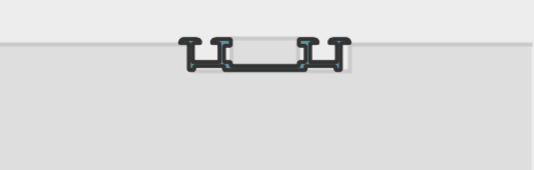
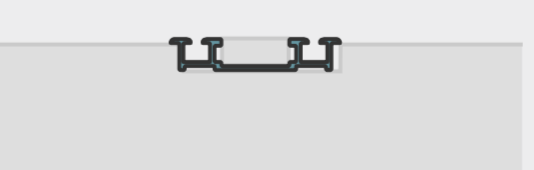

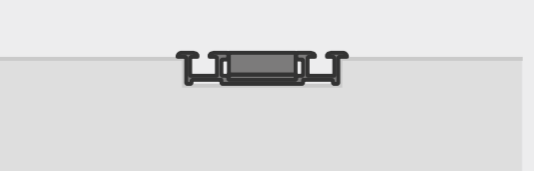
SLIDING OR PIVOTING

The “sliding” and “pivoting” panels are the most versatile solution. It fits perfectly with the architecture and allows to divide and connect spaces dynamically. Our sliding doors and pivoting panels are available in single or double glass, or wood panels, and can be mounted on a system of ceiling rails (also built-in), ceiling and floor, wall-mounted. Our rails support from one to several ways systems to create complex dividing systems.

ALBED
MILANO 1964



Sliding Doors
Built-in rail
Model: CELINE

EVO Rail System	UNO + EVO Rail System	UNO Rail System
 <p data-bbox="889 373 1056 403">Wall Evo rail</p>	 <p data-bbox="1569 373 1737 403">Wall Evo rail</p>	
 <p data-bbox="889 552 1164 622">Ceiling Evo rail with built-in system</p>	 <p data-bbox="1569 552 1844 622">Ceiling Evo rail with built-in system</p>	 <p data-bbox="2312 552 2512 622">Built-in ceiling Uno rail</p>
 <p data-bbox="889 761 1101 791">Ceiling Evo rail</p>	 <p data-bbox="1569 761 1781 791">Ceiling Evo rail</p>	 <p data-bbox="2312 761 2524 791">Ceiling Uno rail</p>
	 <p data-bbox="1569 1656 1860 1685">Built-in floor Uno rail</p>	 <p data-bbox="2312 1656 2603 1685">Built-in floor Uno rail</p>
	 <p data-bbox="1569 1795 1869 1864">Built-in floor Uno rail with aluminium insert</p>	 <p data-bbox="2312 1795 2613 1864">Built-in floor Uno rail with aluminium insert</p>



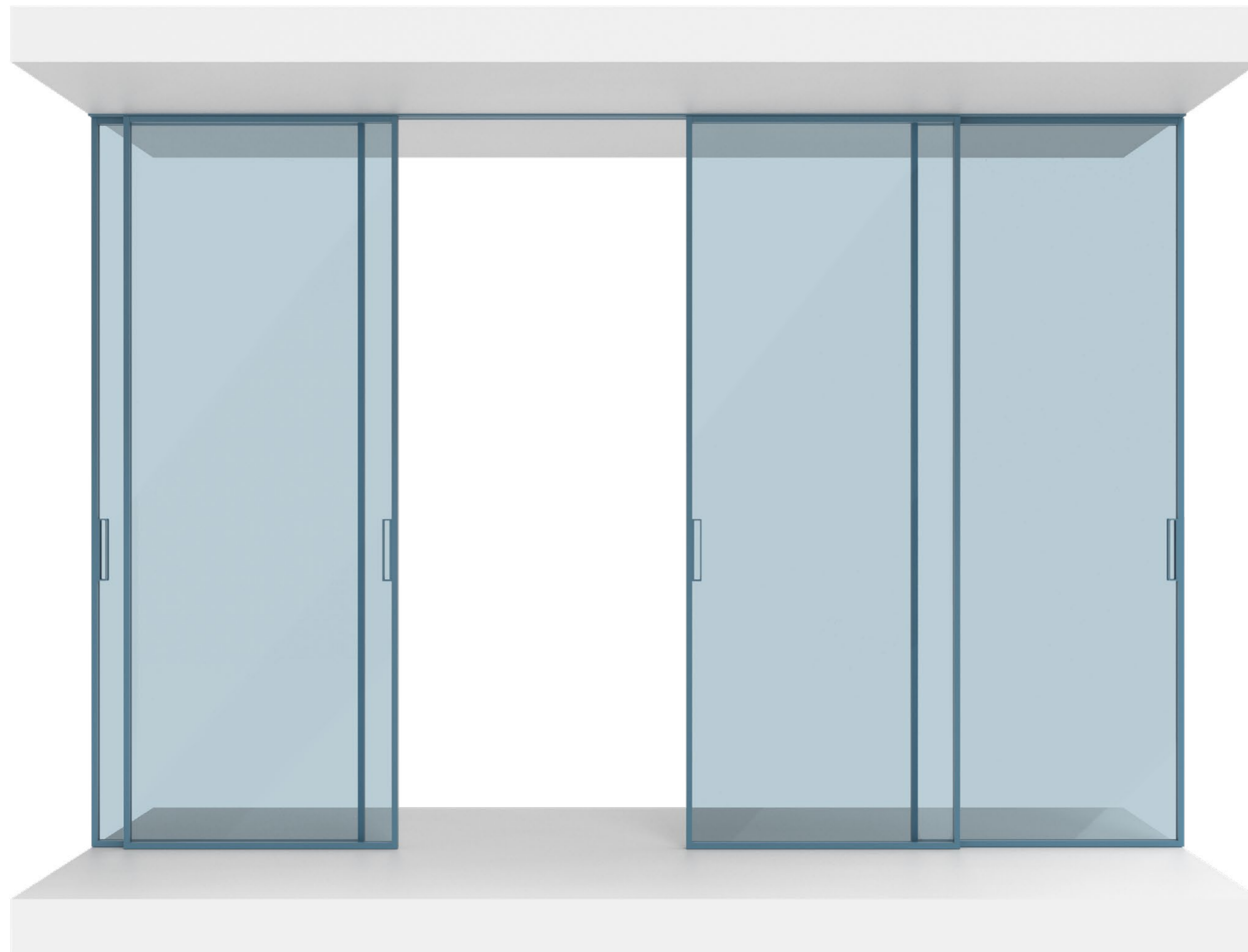
Ceiling Evo Rail



Ceiling Evo Rail
with built-in system



Wall Evo Rail



Sliding panels on ceiling rail

PANELS ON EVO RAIL SYSTEM

Albed's "ceiling rail or built-in rail" can be used to manage sliding panel movements, with complete architectural integration. The built-in solution provides a beam to be positioned while constructing false ceilings. Once installed, the sliding system is almost invisible, allowing you to see only a mark on the ceiling. The rail provides a complete regulating system that ensures perfect leveling of the sliding line; it is fitted with easy slide bearings and a soft opening and closing mechanism. The panels slide then suspended ceiling allowing to obtain minimal design solutions, in which the panels slide inside the architecture without any presence on the floor or on the wall of other technical elements.

Sliding Doors - Panels on Evo rail system
Built-in Rail
Panel: QUADRA

ALBED
MILANO 1954

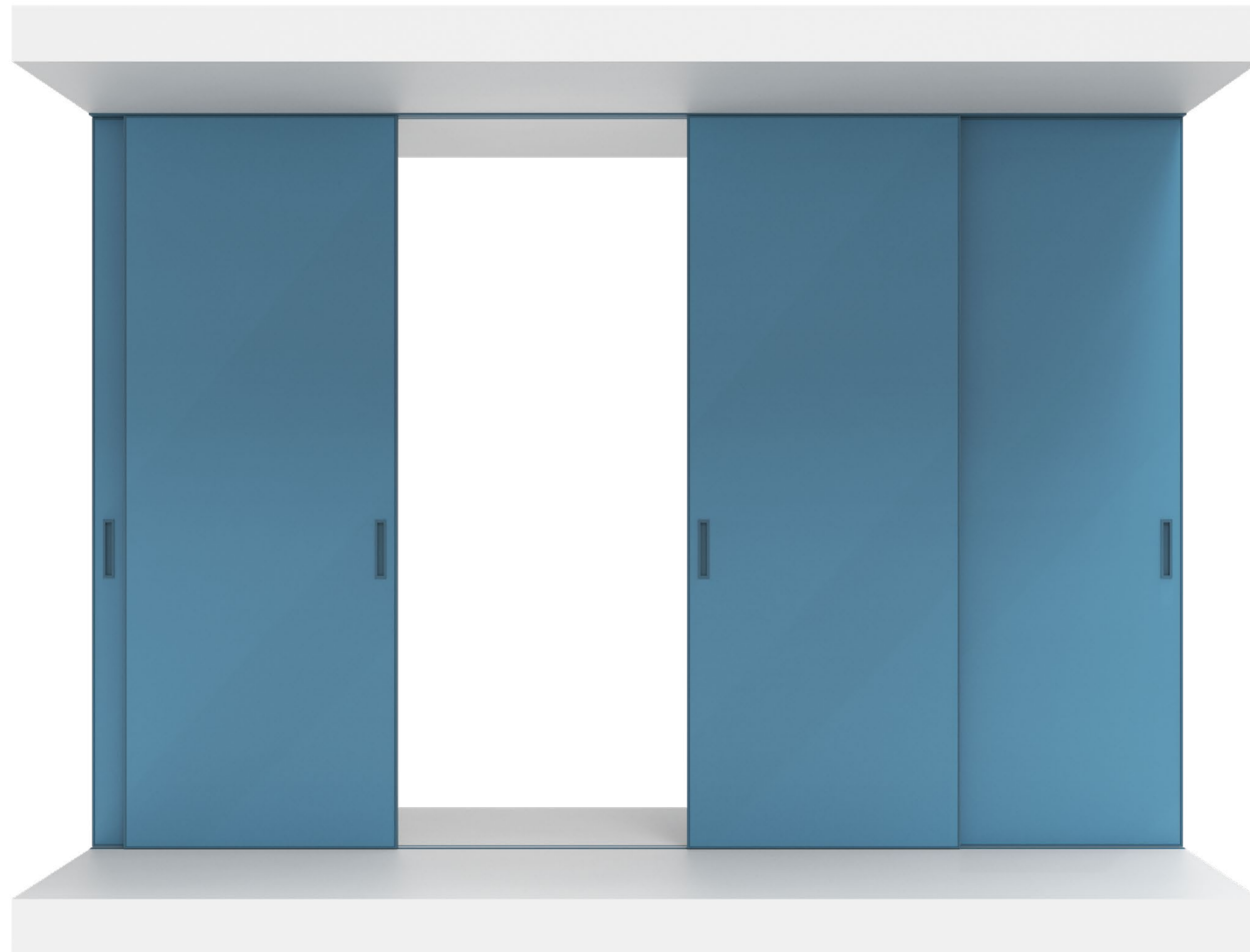


Sliding Doors - Panels on Evo rail system
Built-in Rail
Panel: CELINE

ALBED
MILANO 1954



Sliding Doors - Panels on Evo rail system
Ceiling-Mounted Rail
Panel: PRIMA



Sliding panels on ceiling rail

PANELS ON HYBRID RAIL SYSTEM EVO+UNO

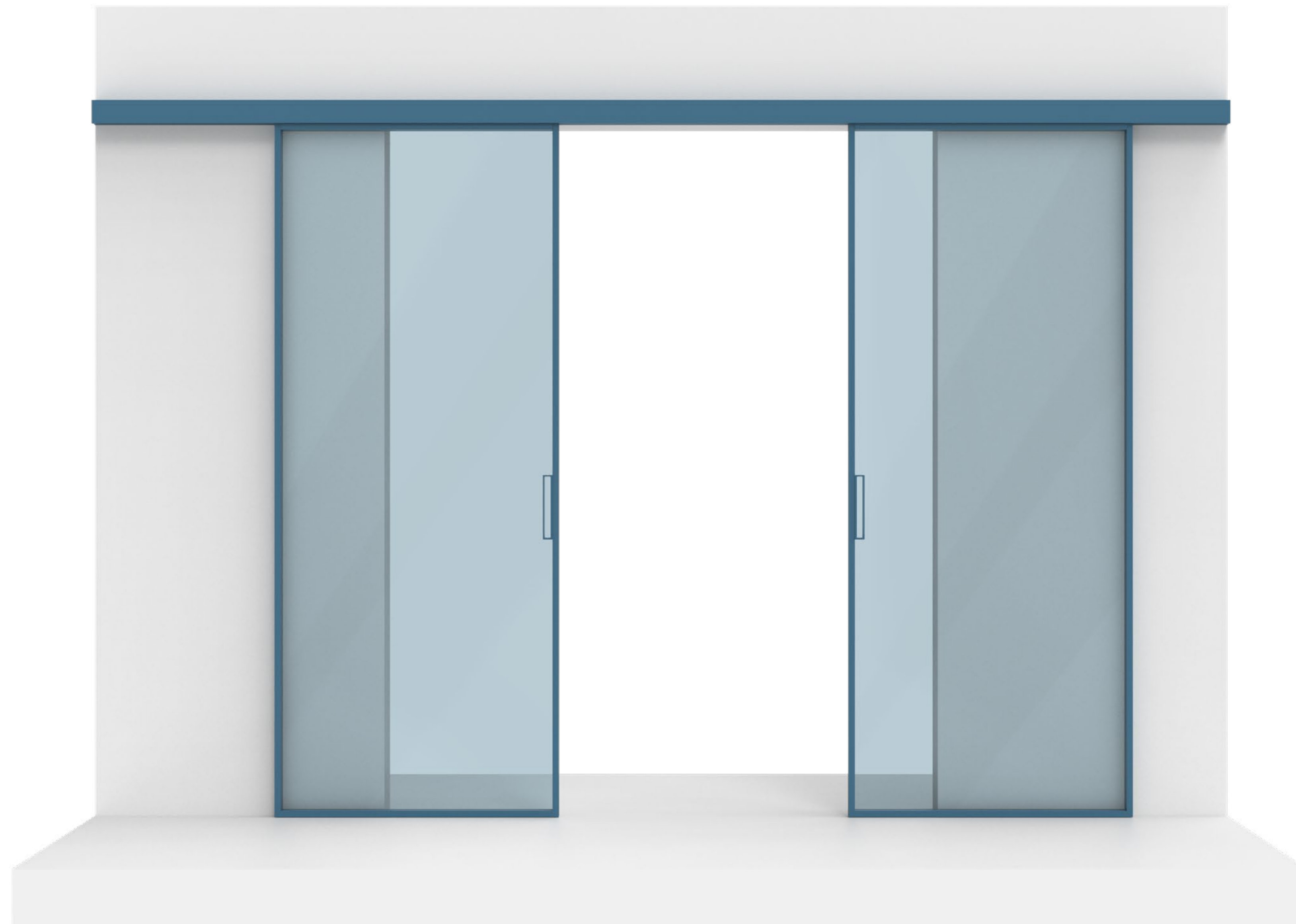
Albed's "ceiling rail" "Evo" and the lower rail "Uno" allow to realize hybrid installations that allow to manage the movement of the sliding panels in contexts where it is necessary to have a greater linearity of movement of the panels. This happens especially in contexts in which ceilings or floors are crooked or when the panels can be subjected to strong frontal pushes. In the EVO rail the panels are suspended from the ceiling, while the floor rail "ONE" is an additional guide to the sliding of the panel. The floor rail is available in different solutions and finishes, built-in or not, with or without finishing insert, and it allows to optimize its integration with the project.



Sliding panels on ceiling rail

PANELS ON UNO RAIL SYSTEM

Albed's "ceiling rail" Uno allows to manage the movement of the panels that slide on the floor rail. The ceiling rail guides and balances the panel. This solution is recommended for architectural contexts in which the ceilings do not allow to support any weight. The floor rail is available in different solutions and finishes, built-in or not, with or without finishing insert, and it allows to optimize its integration with the project.



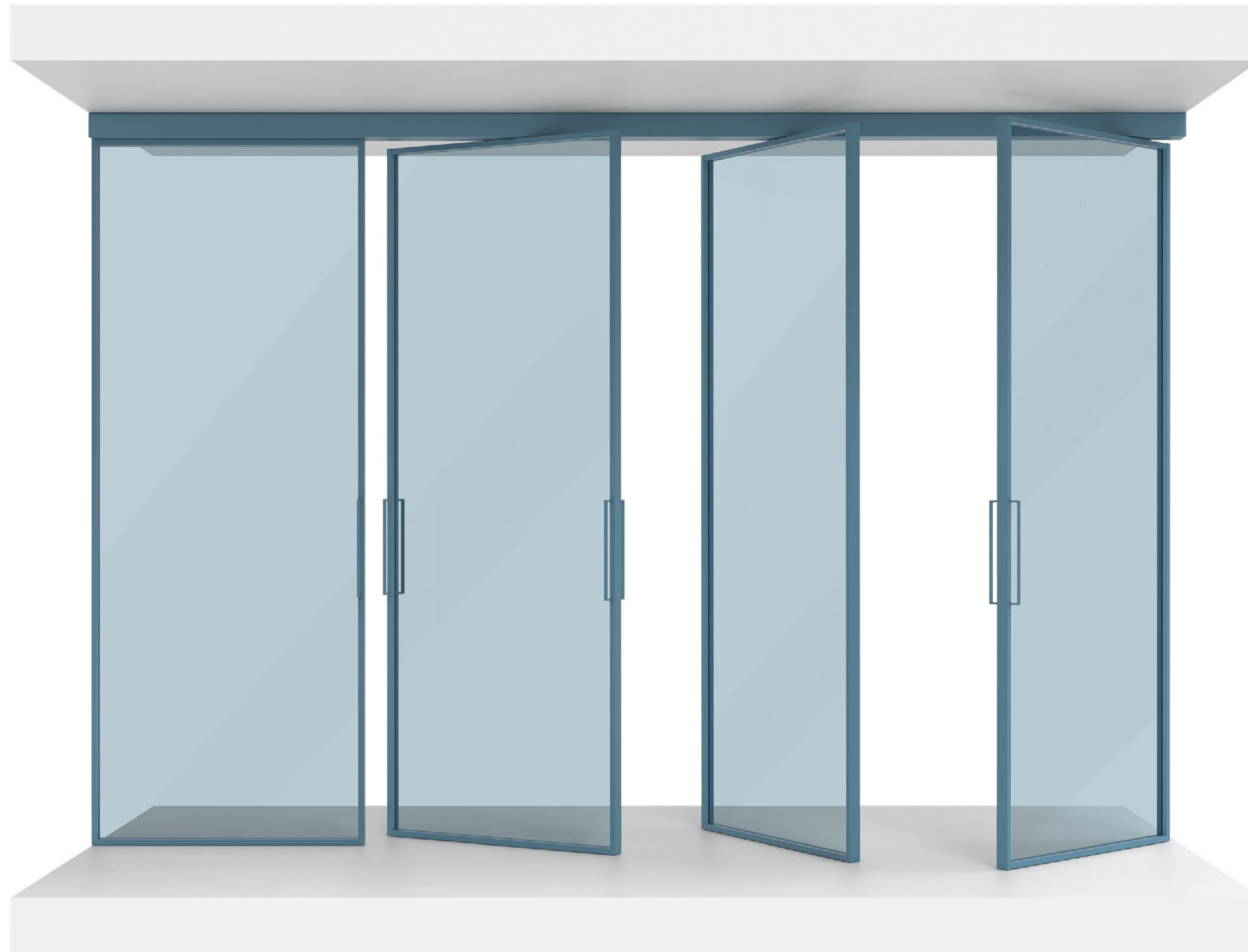
Sliding panels on wall rail

PANELS ON EVO RAIL SYSTEM

Albed's "Wall rail" Evo allows to manage the movement of the sliding panels with mounting on the wall only. This solution is completely invisible on one side and presents a technical cleaning of the side of the installation. The rail provides a complete regulating system that ensures perfect leveling of the sliding line; it is fitted with easy slide bearings and a soft opening and closing mechanism. The panels slide suspended on the wall allowing to obtain minimal design solutions, in which the panels slide inside the architecture without any presence on the floor or on the wall of other technical elements.



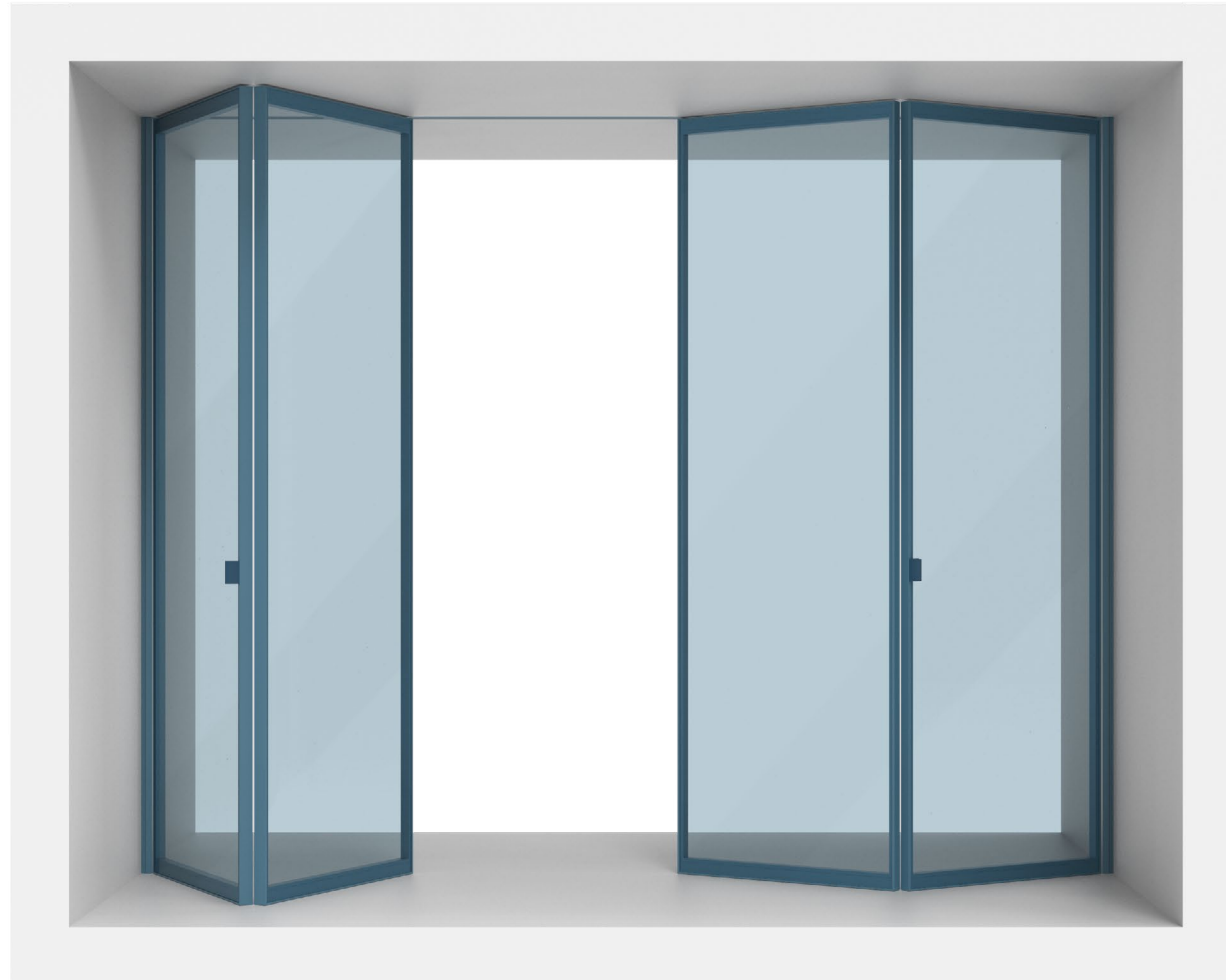
Sliding Doors - Panels on Evo rail system
Wall-Mounted Rail
Panel: RI-TRAIT 8B



Pivoting panels on ceiling rail

PIVOTING ON EVO RAIL SYSTEM

Albed's "ceiling rail or built-in rail" EVO allows the positioning of the revolving panels. The revolving panels are a dynamic solution to delimit spaces. They are one or more panels in aluminium and glass or in wood that rotate on their own axis (symmetrical or asymmetrical). The use of the rail EVO and the moving solutions designed and built by Albed, allow to obtain minimal design solutions in which the panels rotate within the architecture without any presence on the floor or on the wall of technical elements.

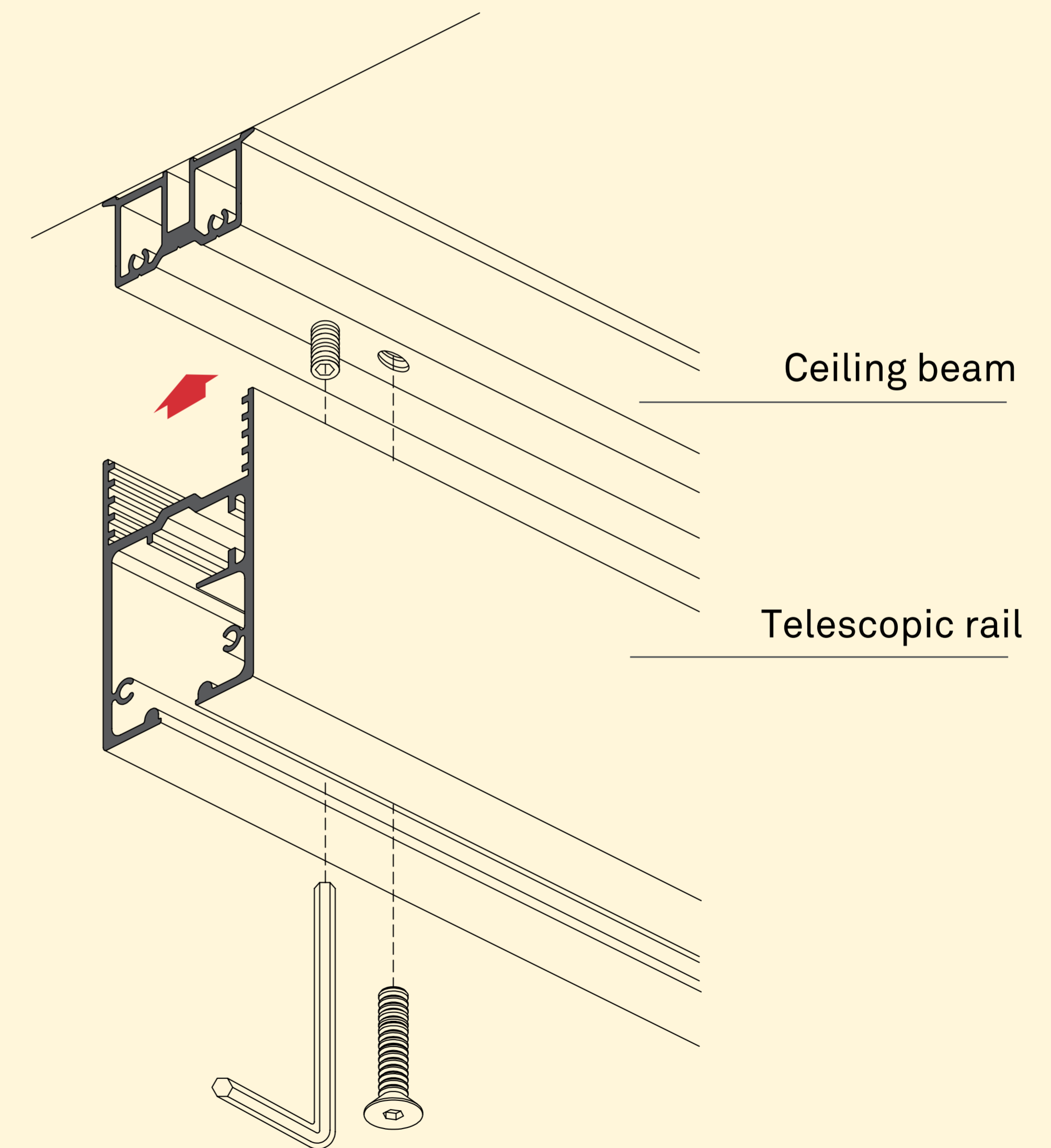
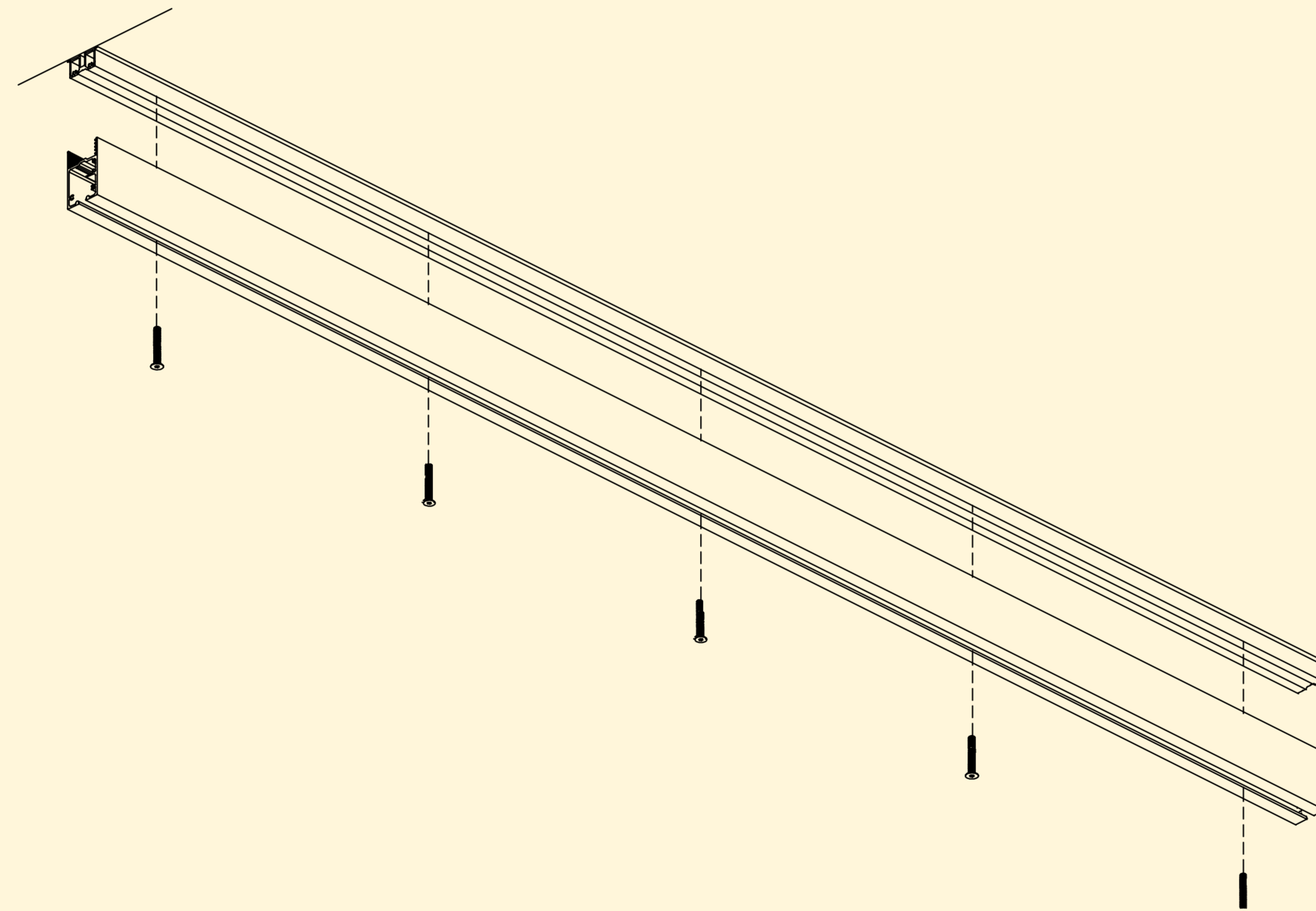


Sliding panels on ceiling rail

FOLDING PANELS ON EVO RAIL SYSTEM

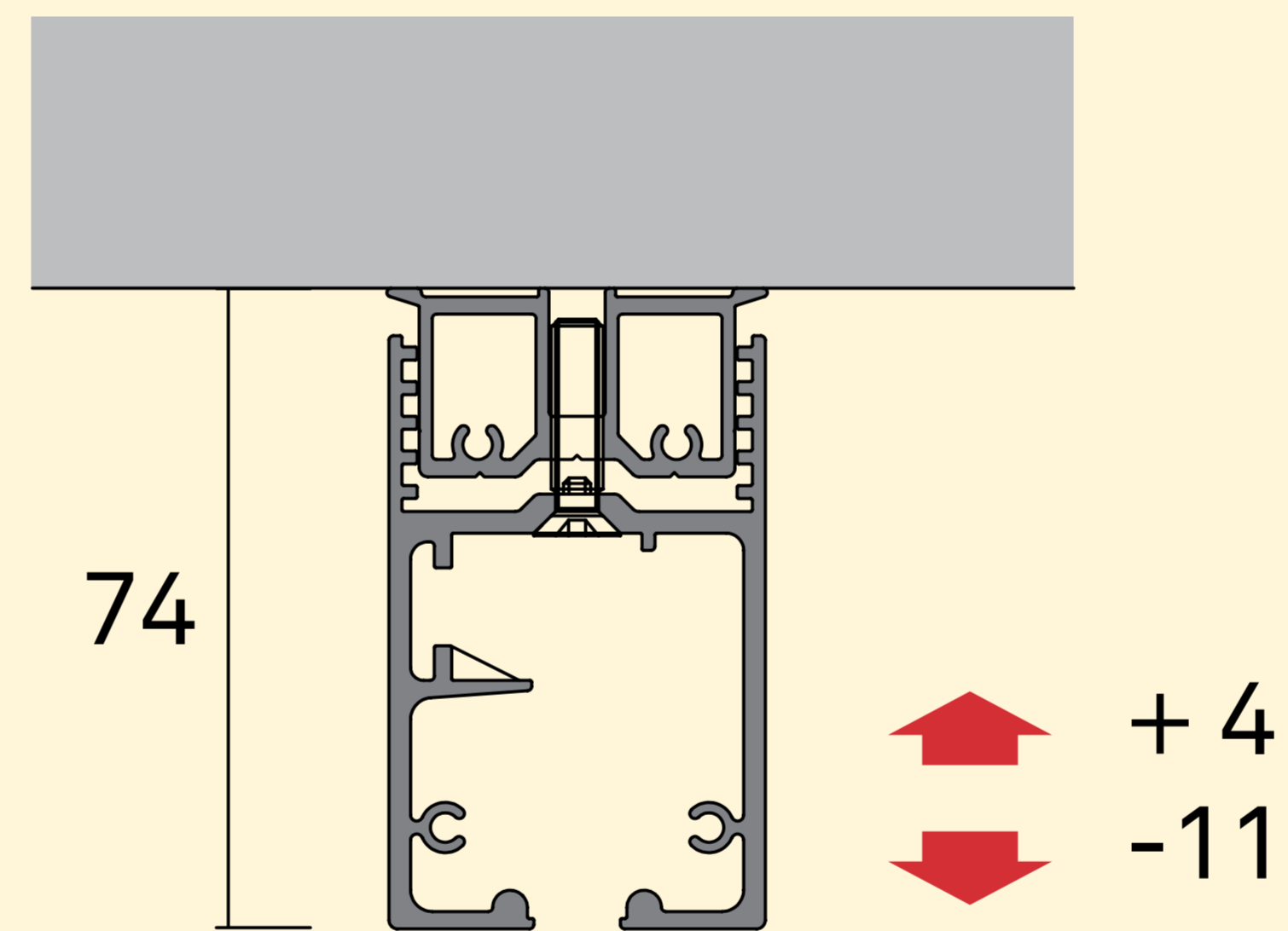
Albed's "ceiling rail or built-in rail" EVO allows the installation of panels with "folding" opening. These panels fold back on themselves during the opening of the passage, reducing the encumbrance of the panels, allowing to have a wider passage. The rail provides a complete regulating system that ensures perfect leveling of the sliding line; It is fitted with easy slide bearings and a soft opening and closing mechanism. The panels slide then suspended ceiling allowing to obtain minimal design solutions, in which the panels slide inside the architecture without any presence on the floor or on the wall of other technical elements.

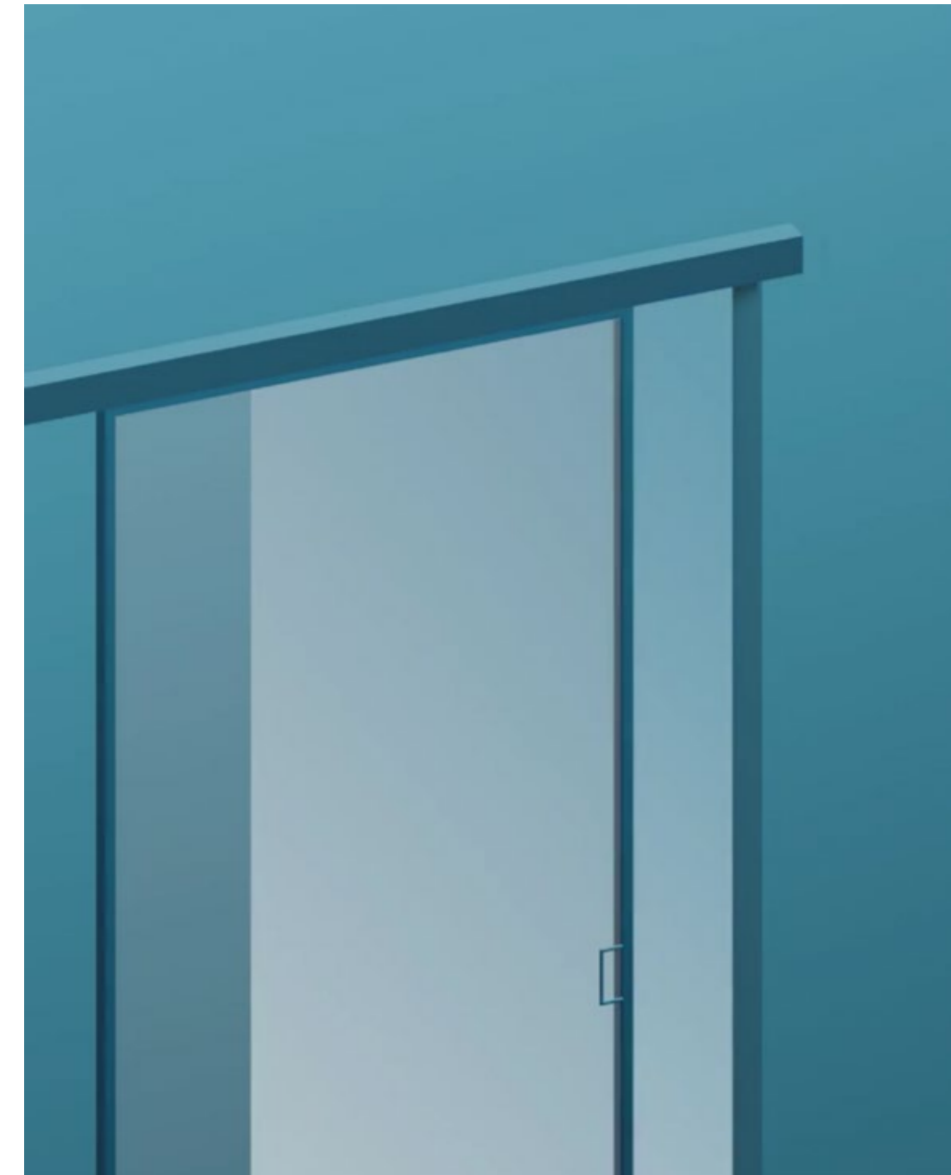
CEILING-MOUNTED RAIL Assembly



CEILING-MOUNTED RAIL

Adjustement

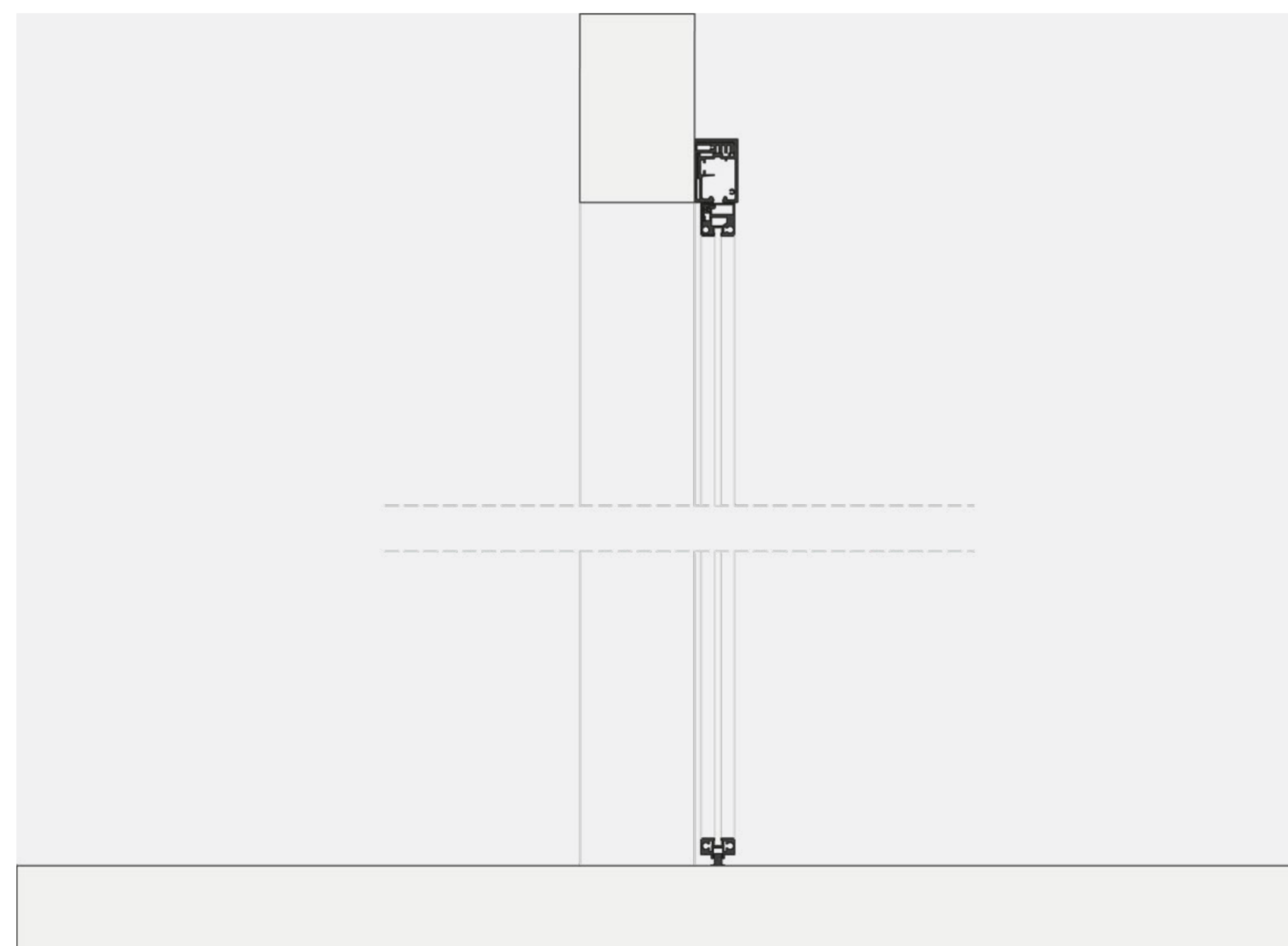




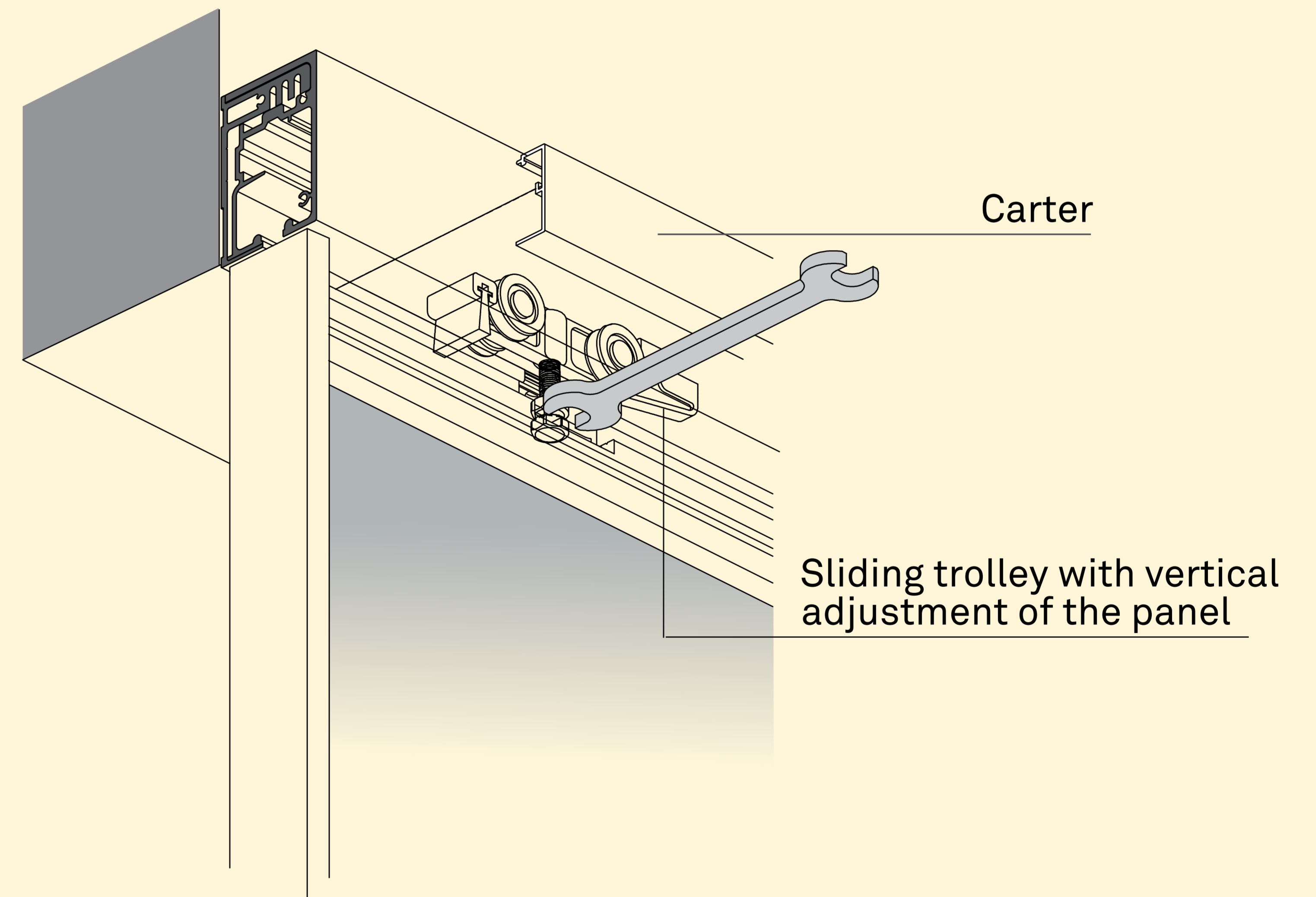
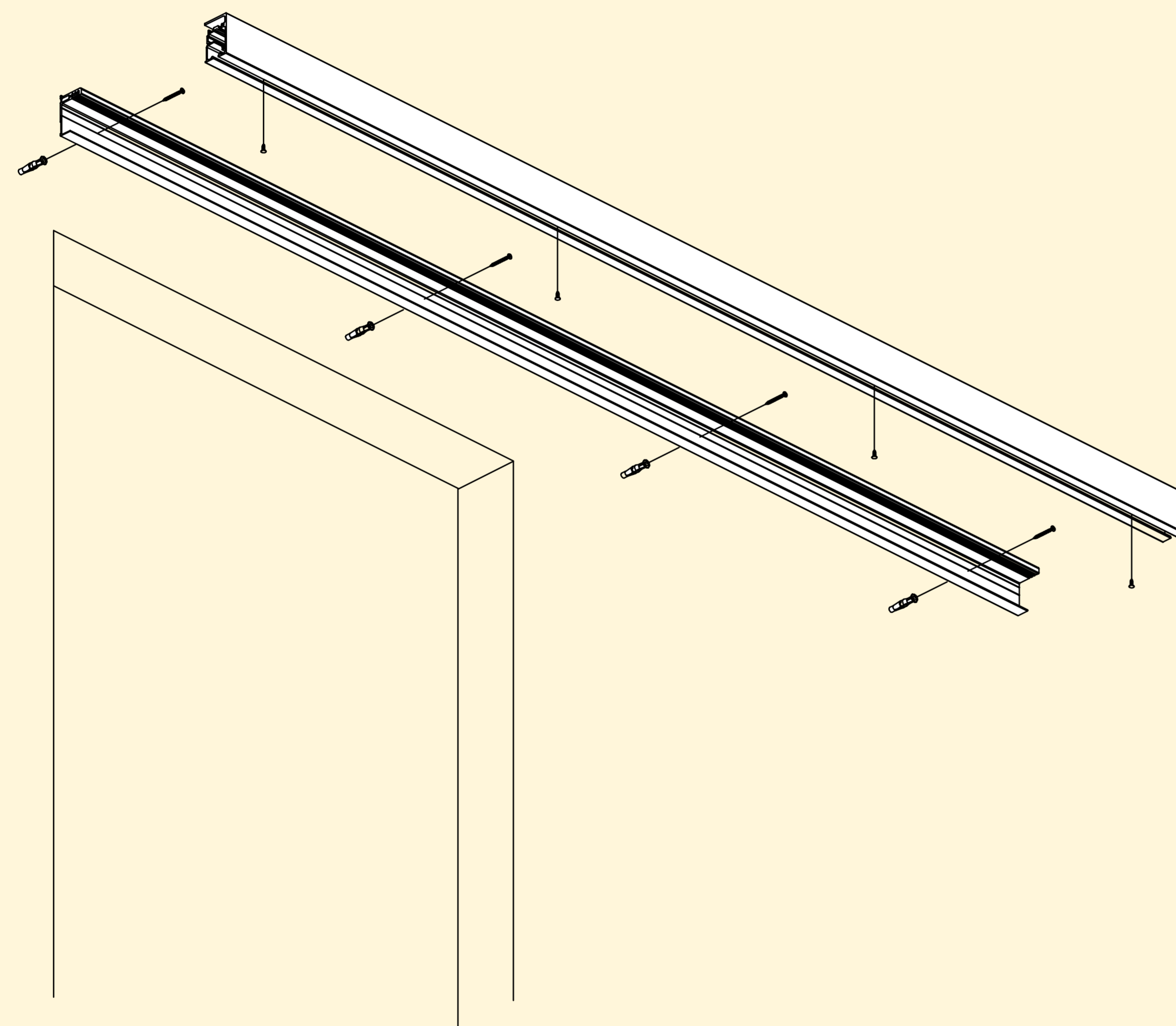
Rail

WALL MOUNTED RAIL

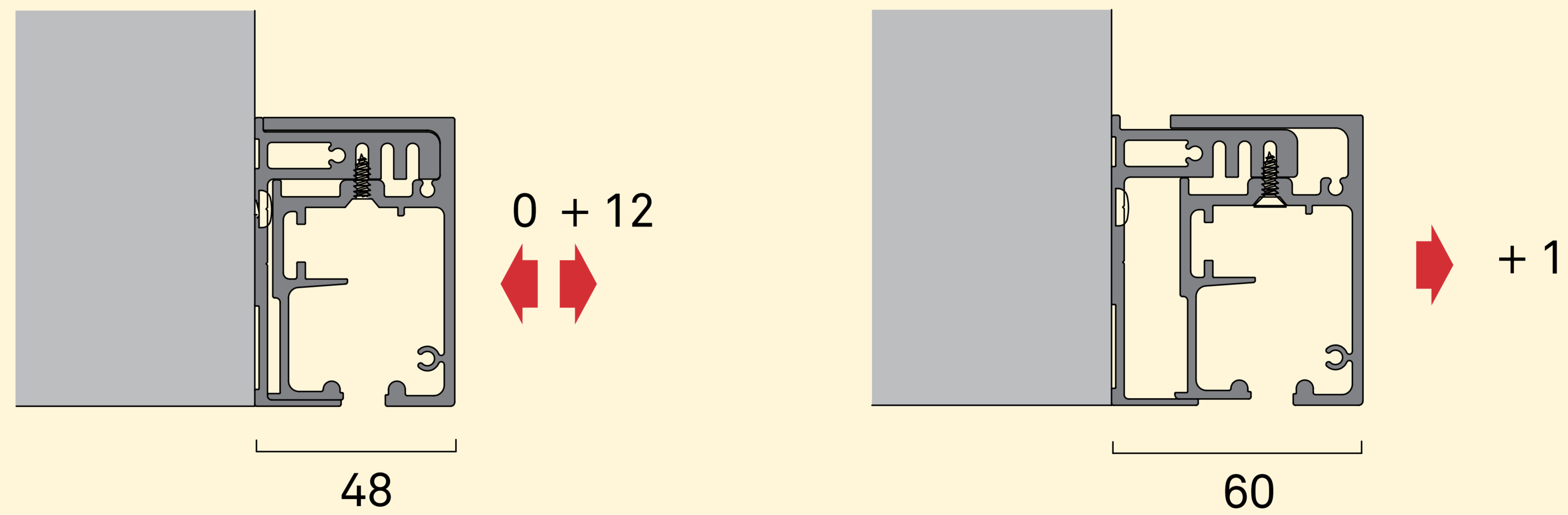
Variation for wall-mounting the Albed rail. When positioned on the wall, it frames the transparent surfaces of the panels making it possible for them to match finished door openings, including those large in size, without any prior preparation. The rail provides a complete regulating system, and is fitted with easy slide bearings and a soft opening and closing mechanism.

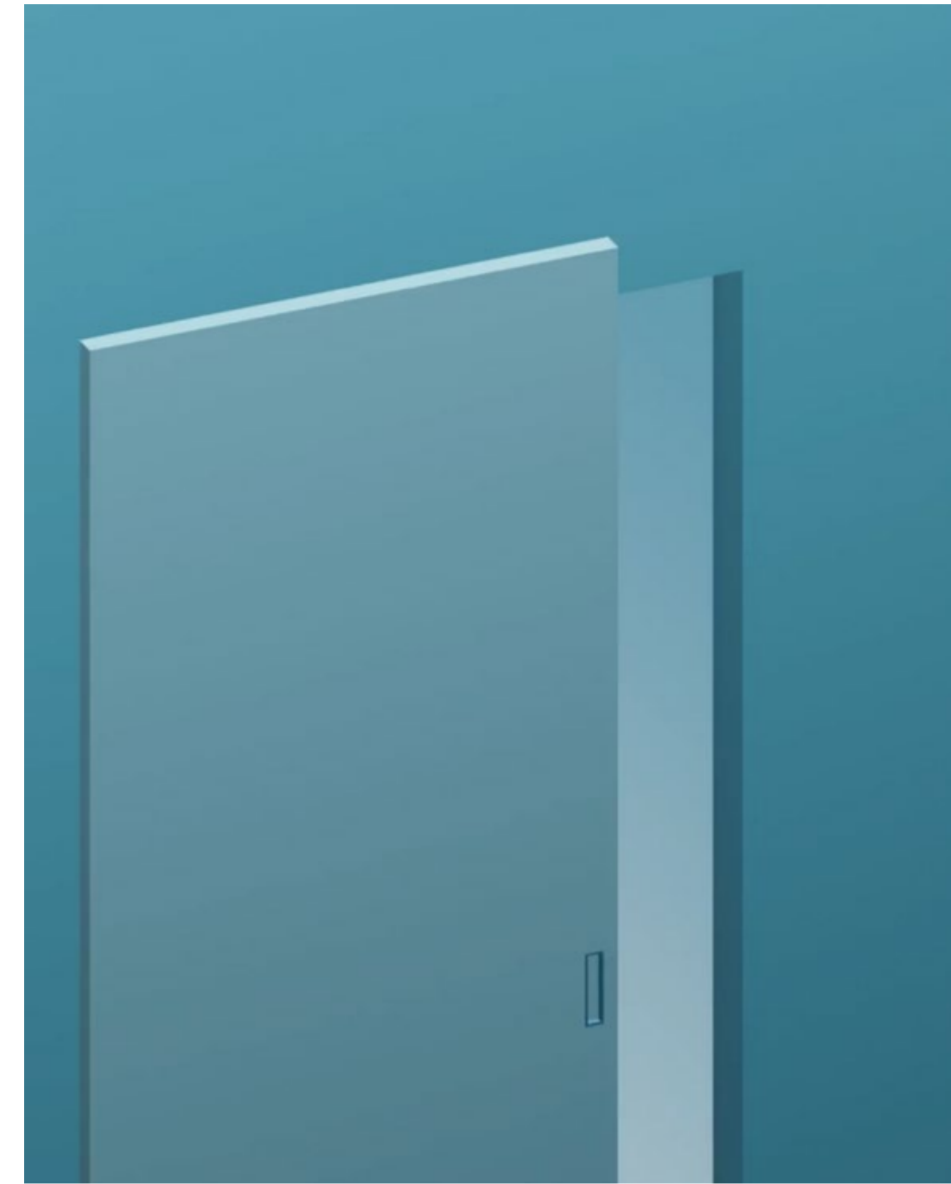


WALL-MOUNTED RAIL Assembly



WALL-MOUNTED RAIL Adjustement

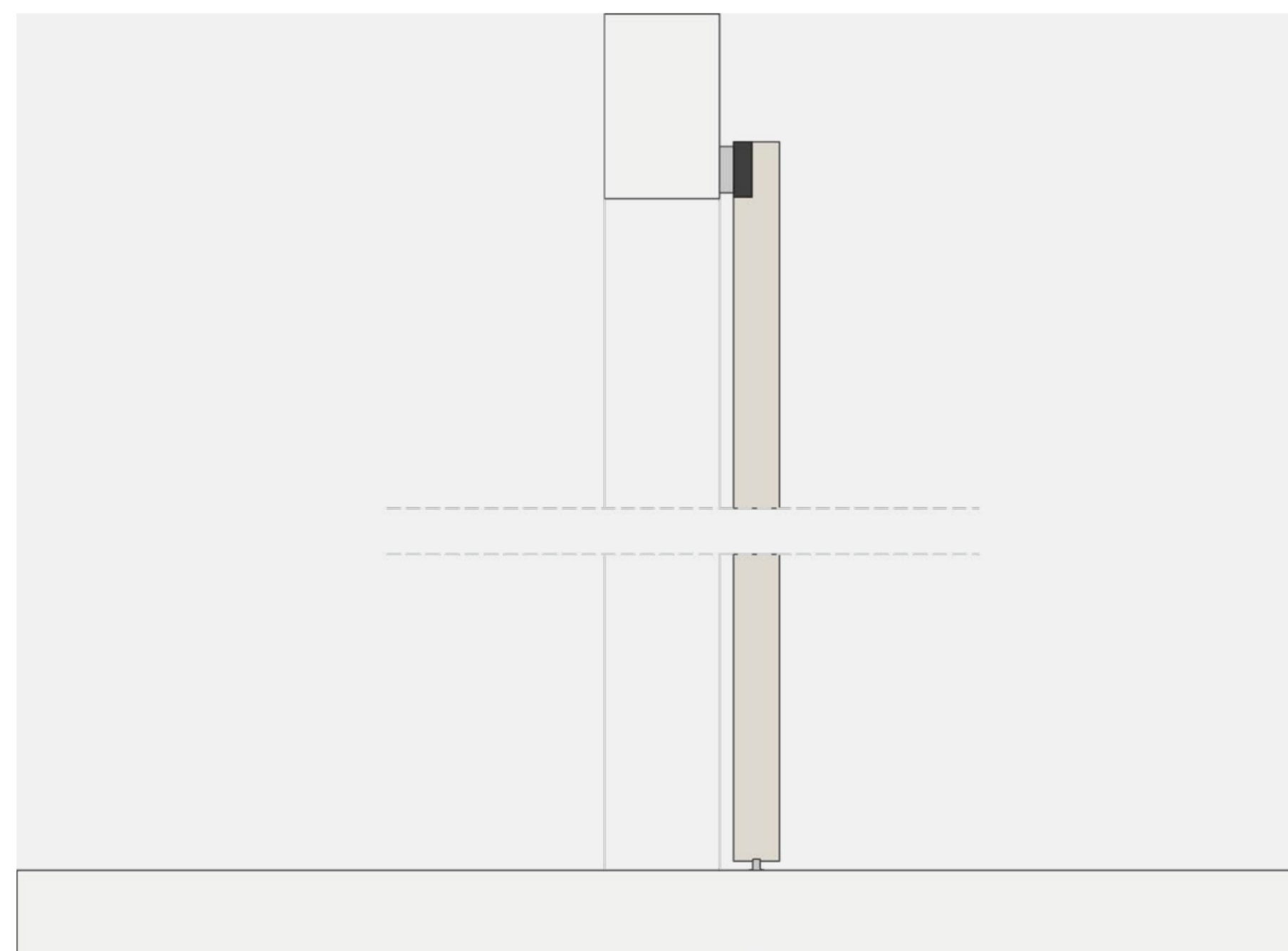




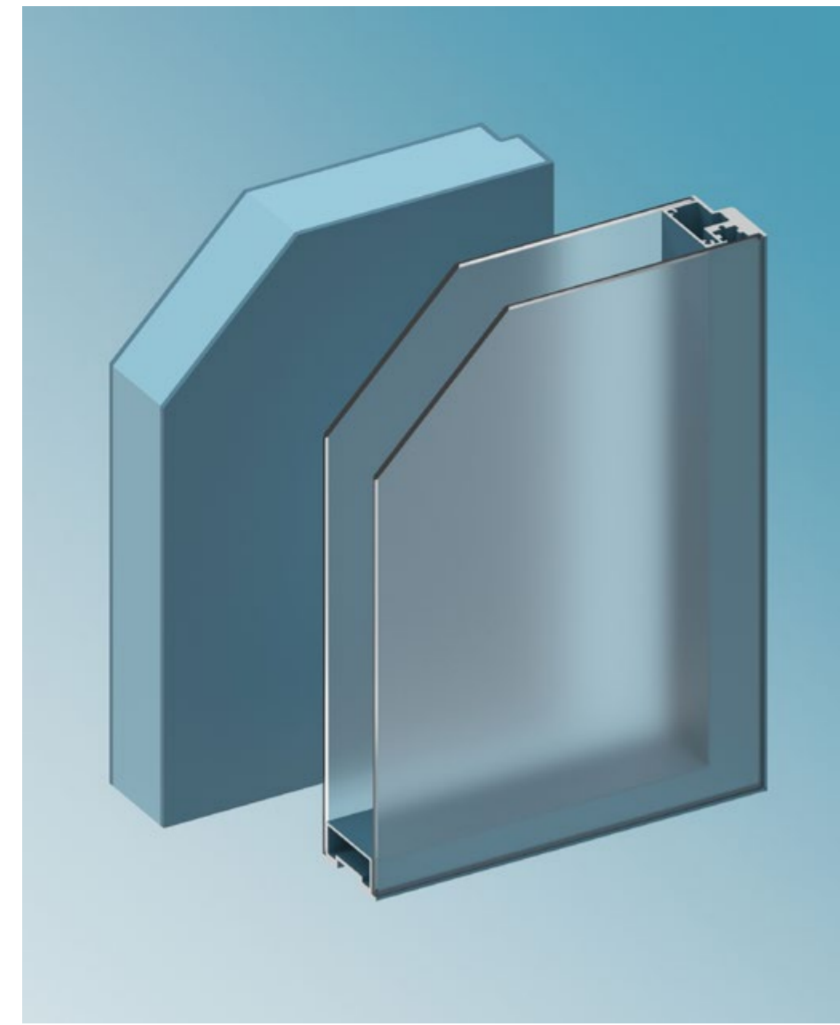
Rail

INVISIBLE WALL-MOUNTED RAIL

Albed's "Invisible wall-mounted rail" can be used to install a wall-mounted sliding door, without the sliding mechanism ever being visible, in any position. The rail is fitted with a soft opening and closing system.

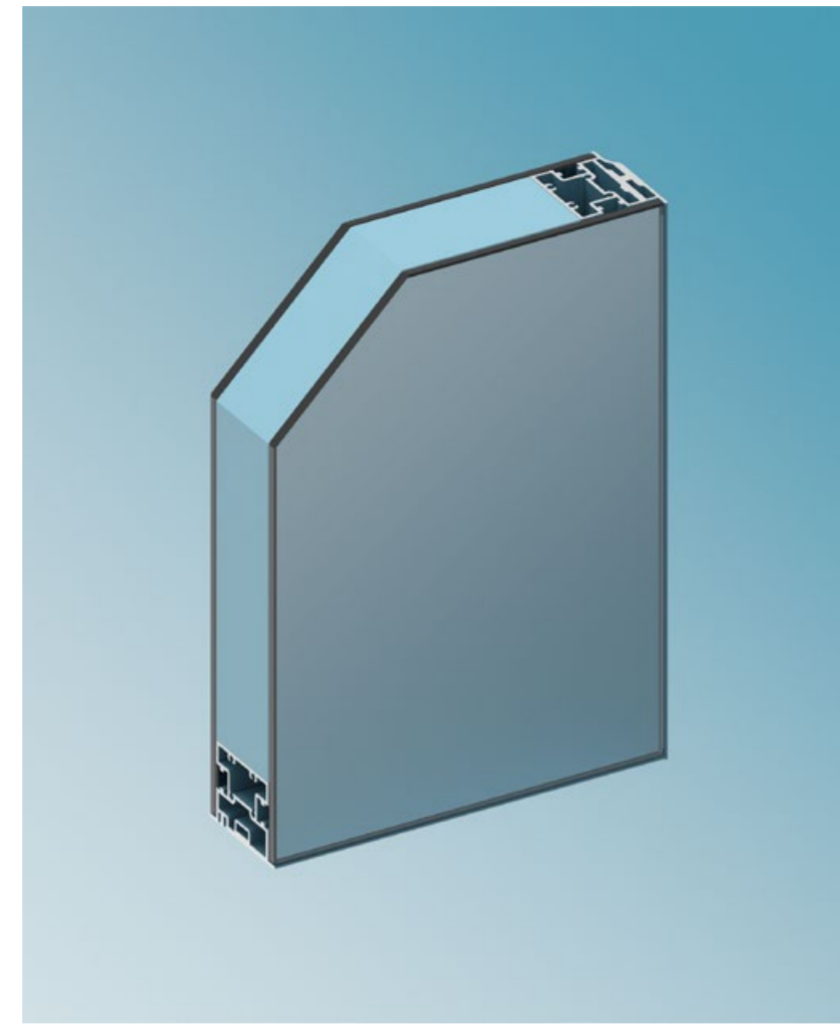


NEXT 50 / 58



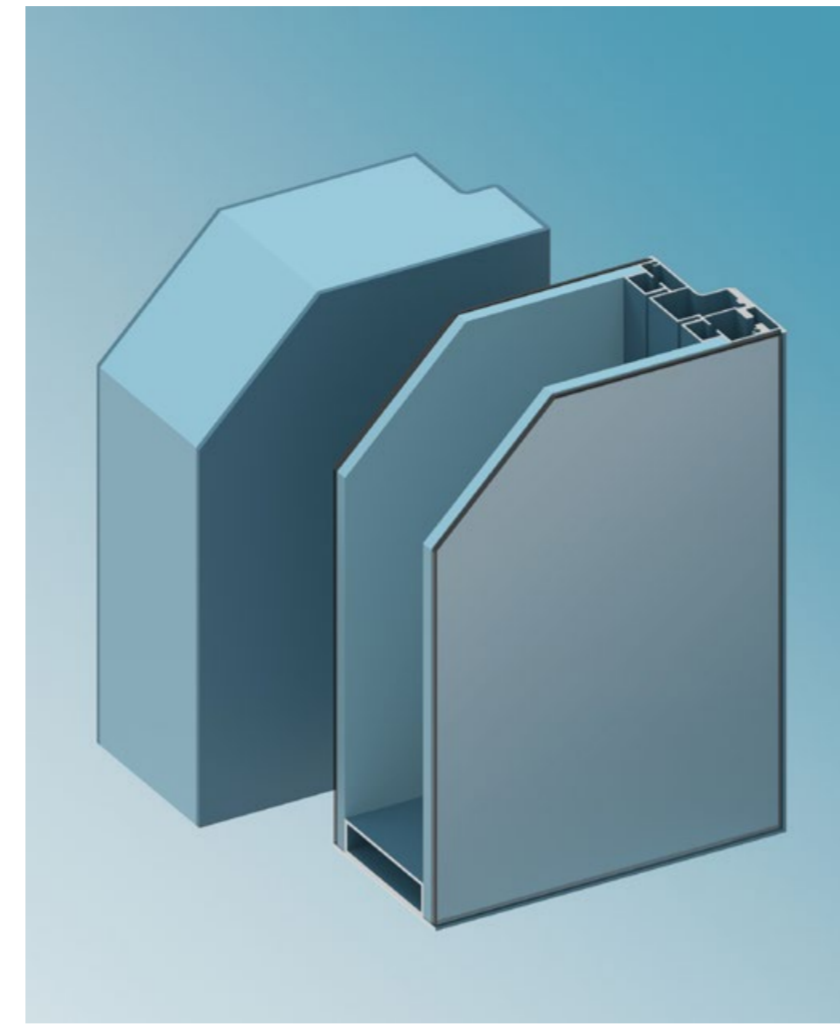
- > Flush hinged door
- > Hinged, without basic door frame
- > **Flush with Concealed Hinges 50mm**
- > **Flush with Concealed Hinges 58mm**
- > **Pivoting Jamb**

SUIT



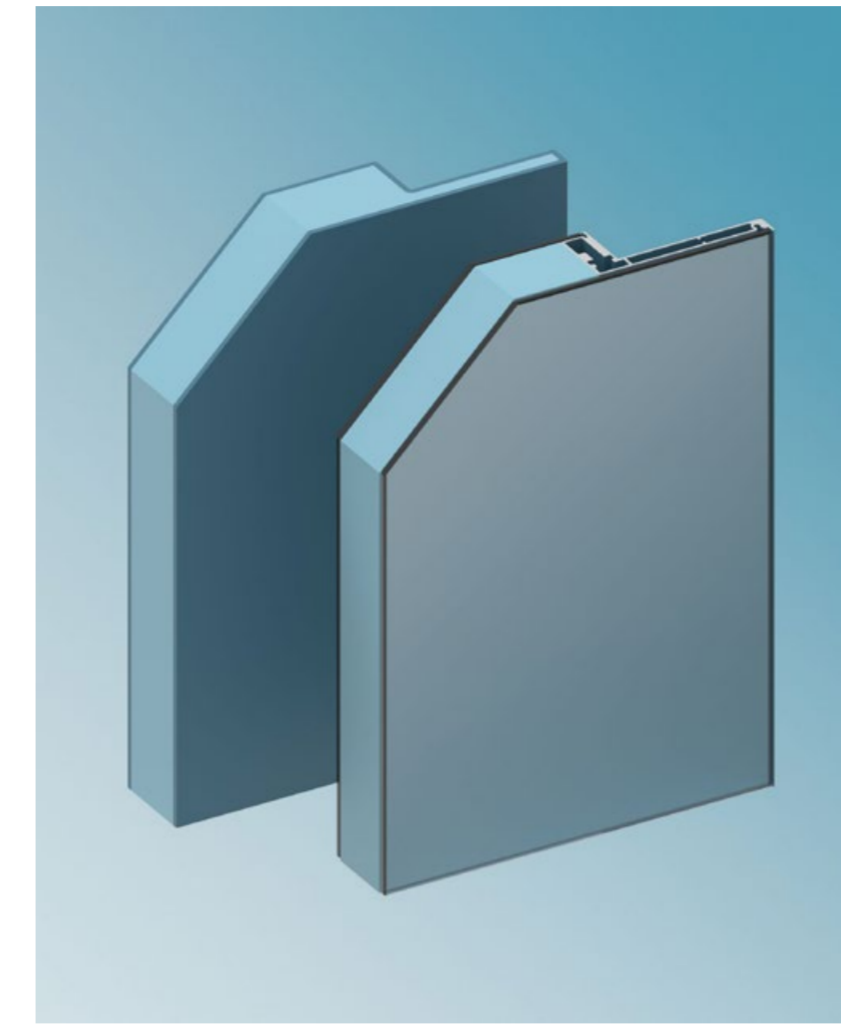
- > Flush hinged door
- > Hinged, without basic door frame
- > **Flush with Concealed Hinges 60mm**
- > **Pivoting Flush Jamb**
- > **Pivoting Jamb**

INTEGRA



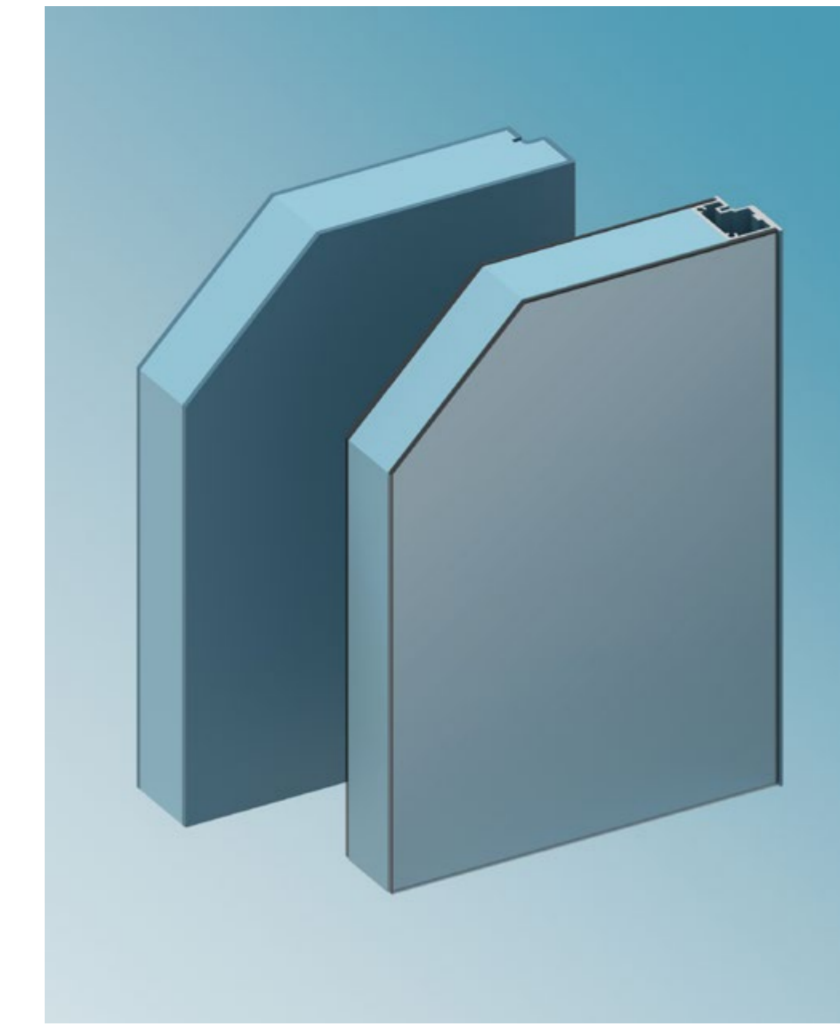
- > Flush hinged door
- > **Flush with Concealed Hinges 105mm**
- > **Flush with Concealed Hinges 125mm**
- > **Flush on Both Sides**

LEVEL



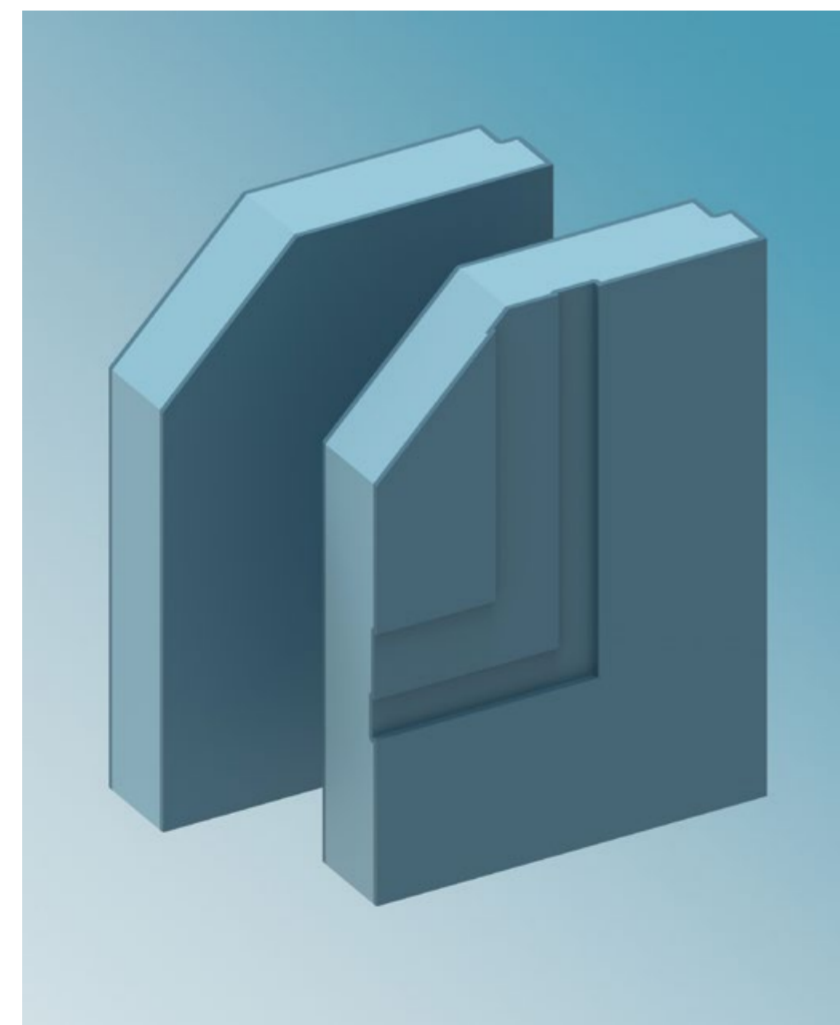
- > Flush-effect hinged door
- > **Flush Door Effect**

BOISE



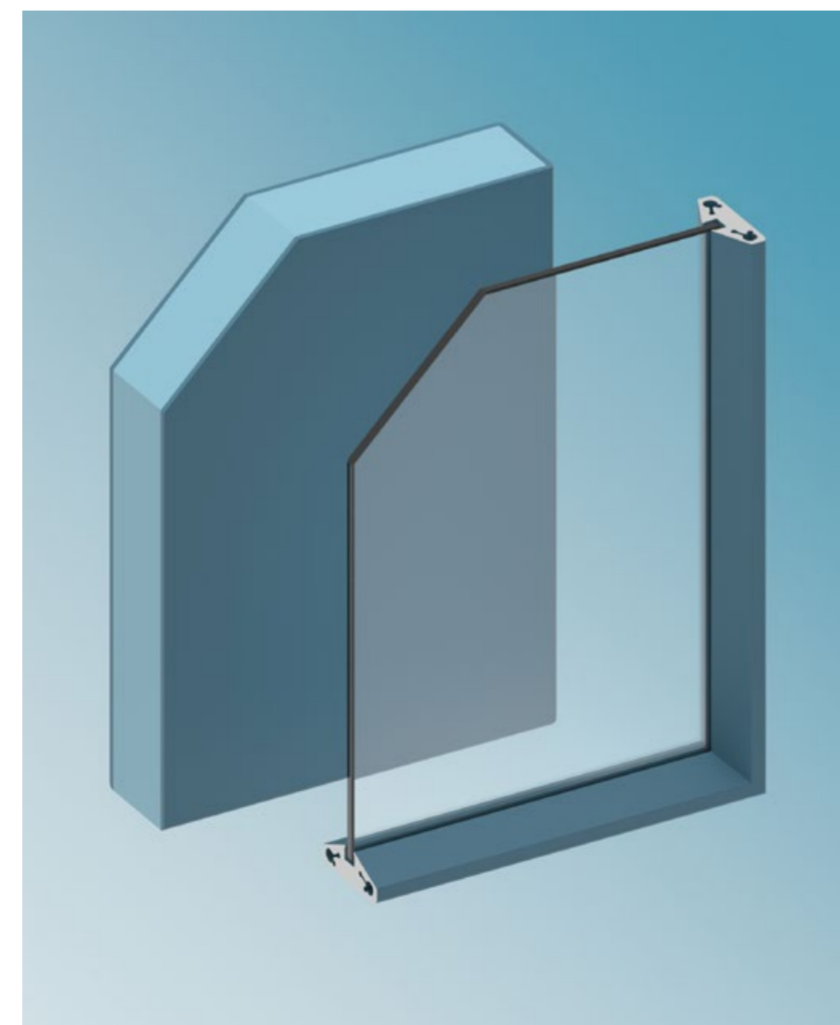
- > Flush-effect hinged door
- > **Pivoting Flush Effect**

AND



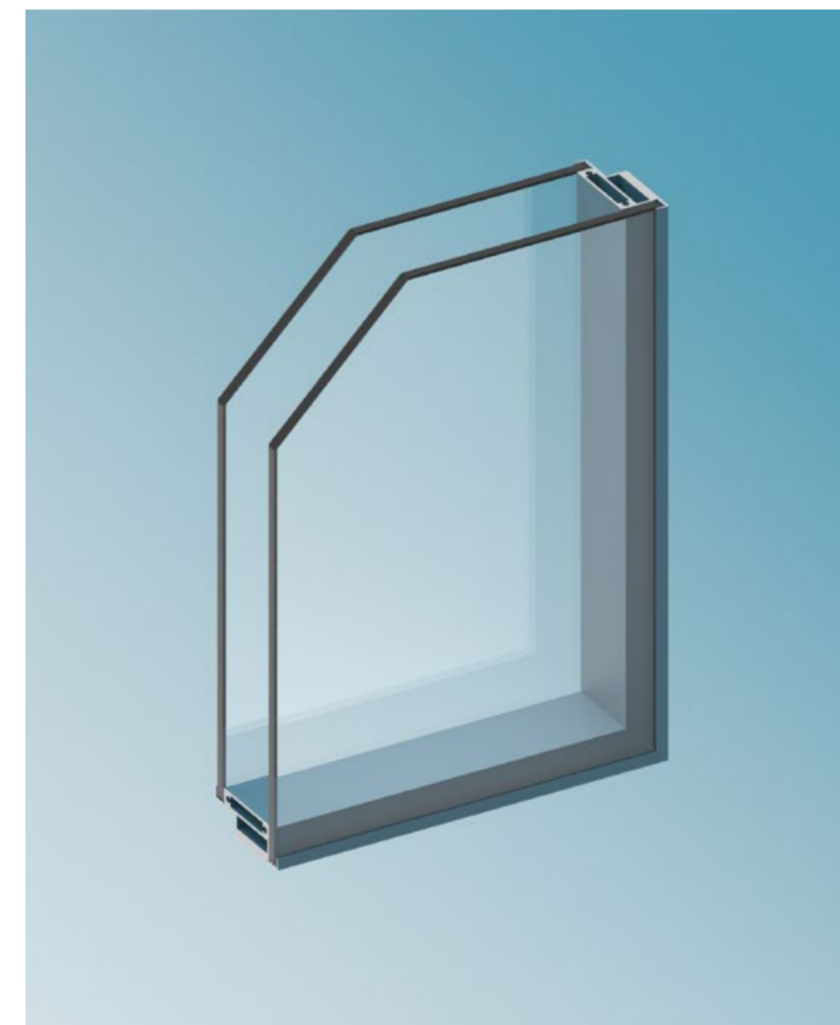
- > Hinged door and frame
- > Pocket door
- > Sliding
- > **Wooden jamb**
- > **Invisible Wall-Mounted Rail**

ENTRE-DEUX



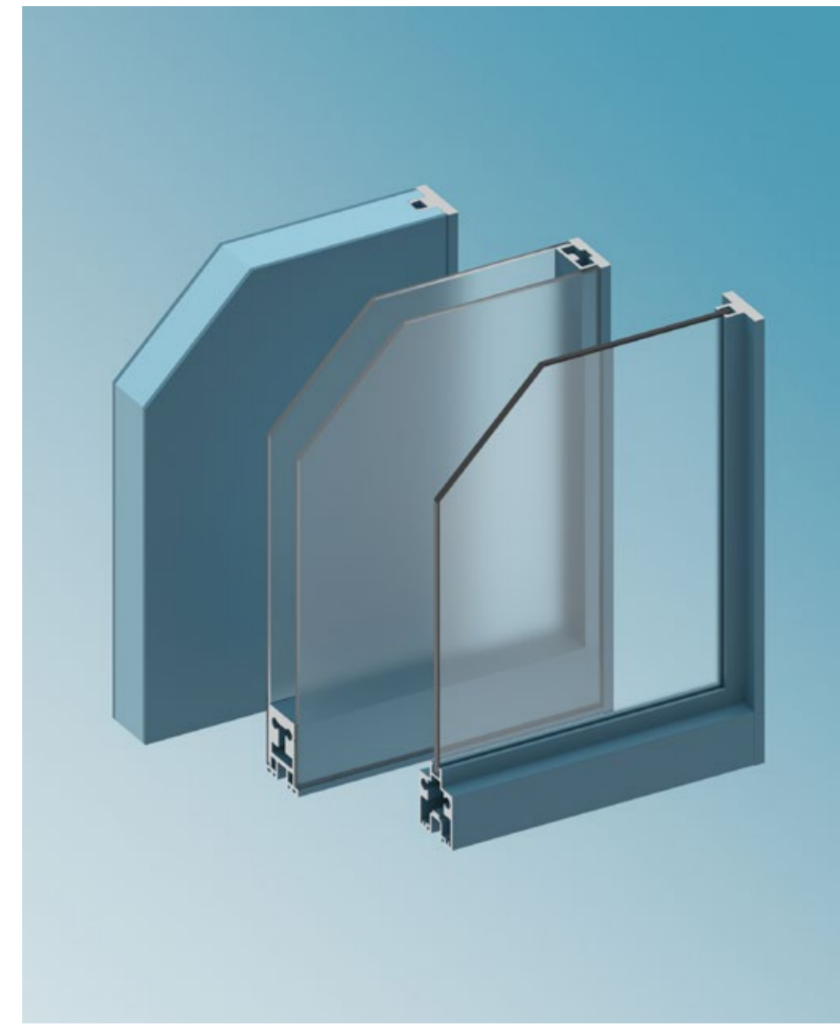
- > Hinged, without basic door frame
- > **Hinged Portal jamb**
- > **Pivoting Portal jamb**

QUIES



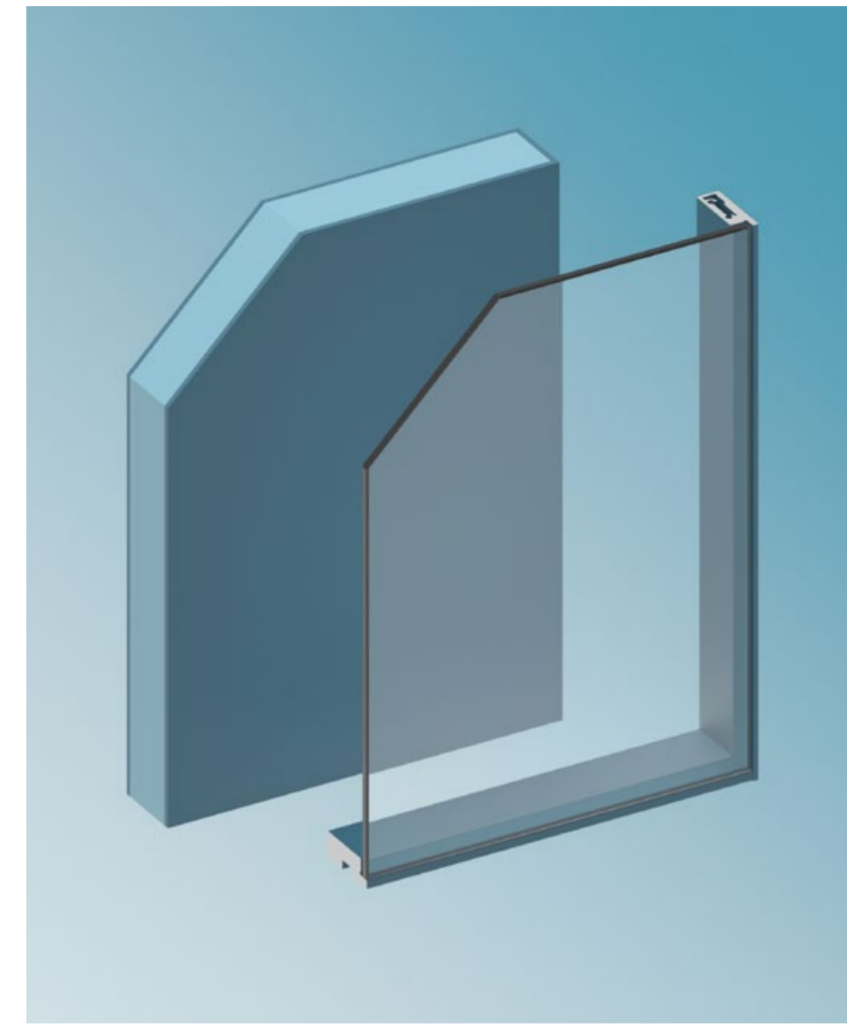
- > Hinged door and frame
- > **Jamb 45°**

QUADRA



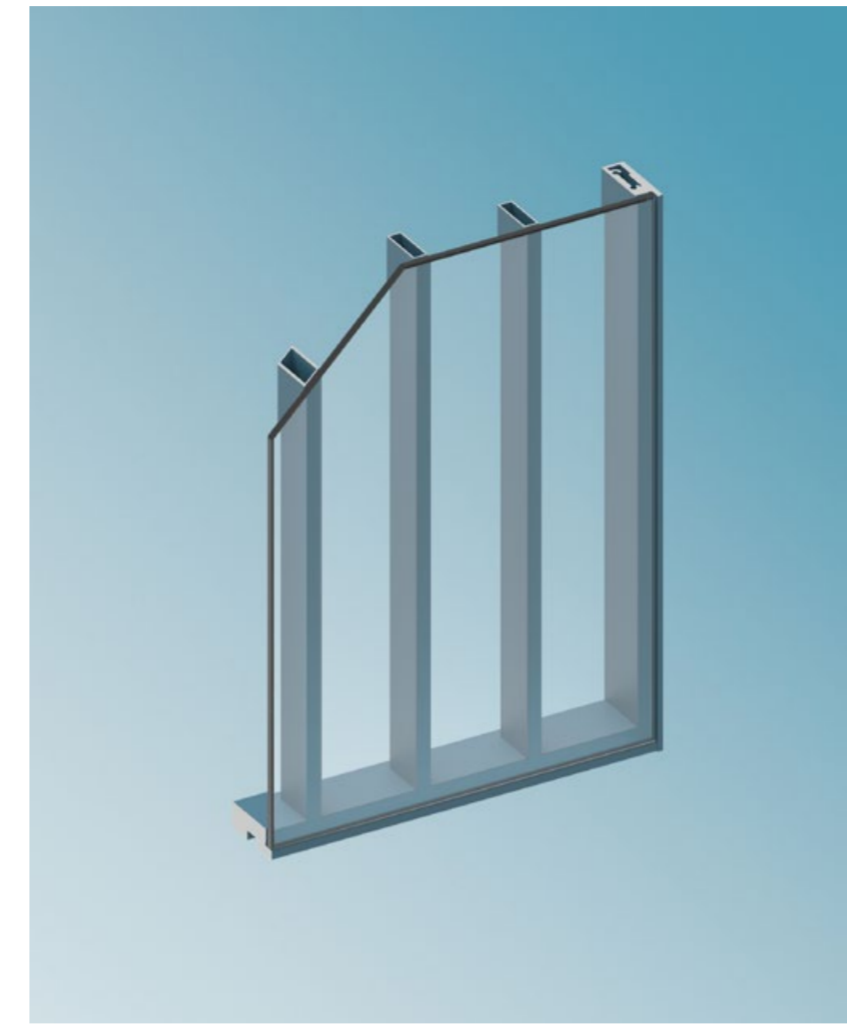
- > Hinged door and frame
- > Pocket door
- > Flush hinged door
- > Hinged, without basic door frame
- > Sliding + Pivoting
- > **Jamb 45°**
- > **Customizable jamb**
- > **Slim jamb**
- > **Without jamb**
- > **Flush Door Ext. Hinge j.**
- > **Pivoting Flush Jamb**
- > **Single Frame**
- > **Double Frame**
- > **Pivoting Frame**
- > **Evo Rail**
- > **Uno Rail**
- > **Evo + Uno Rail**

RI-TRAIT



- > Hinged door and frame
- > Pocket door
- > Flush hinged door
- > Hinged, without basic door frame
- > Sliding + Pivoting
- > **Jamb 45°**
- > **Customizable jamb**
- > **Slim jamb**
- > **Without jamb**
- > **Flush Door Ext. Hinge j.**
- > **Pivoting Flush Jamb**
- > **Single Frame**
- > **Double Frame**
- > **Pivoting Frame**
- > **Evo Rail**
- > **Uno Rail**
- > **Evo + Uno Rail**

RI-TRAIT 8B



- > Hinged door and frame
- > Pocket door
- > Flush hinged door
- > Hinged, without basic door frame
- > Sliding + Pivoting
- > **Jamb 45°**
- > **Customizable jamb**
- > **Slim jamb**
- > **Without jamb**
- > **Flush Door Ext. Hinge j.**
- > **Pivoting Flush Jamb**
- > **Single Frame**
- > **Double Frame**
- > **Pivoting Frame**
- > **Evo Rail**
- > **Uno Rail**
- > **Evo + Uno Rail**

PRIMA



- > Hinged door and frame
- > Pocket door
- > Flush hinged door
- > Hinged, without basic door frame
- > Sliding + Pivoting
- > **Jamb 45°**
- > **Customizable jamb**
- > **Slim jamb**
- > **Without jamb**
- > **Flush Door Ext. Hinge j.**
- > **Pivoting Flush Jamb**
- > **Single Frame**
- > **Double Frame**
- > **Pivoting Frame**
- > **Evo Rail**
- > **Uno Rail**
- > **Evo + Uno Rail**

CELINE



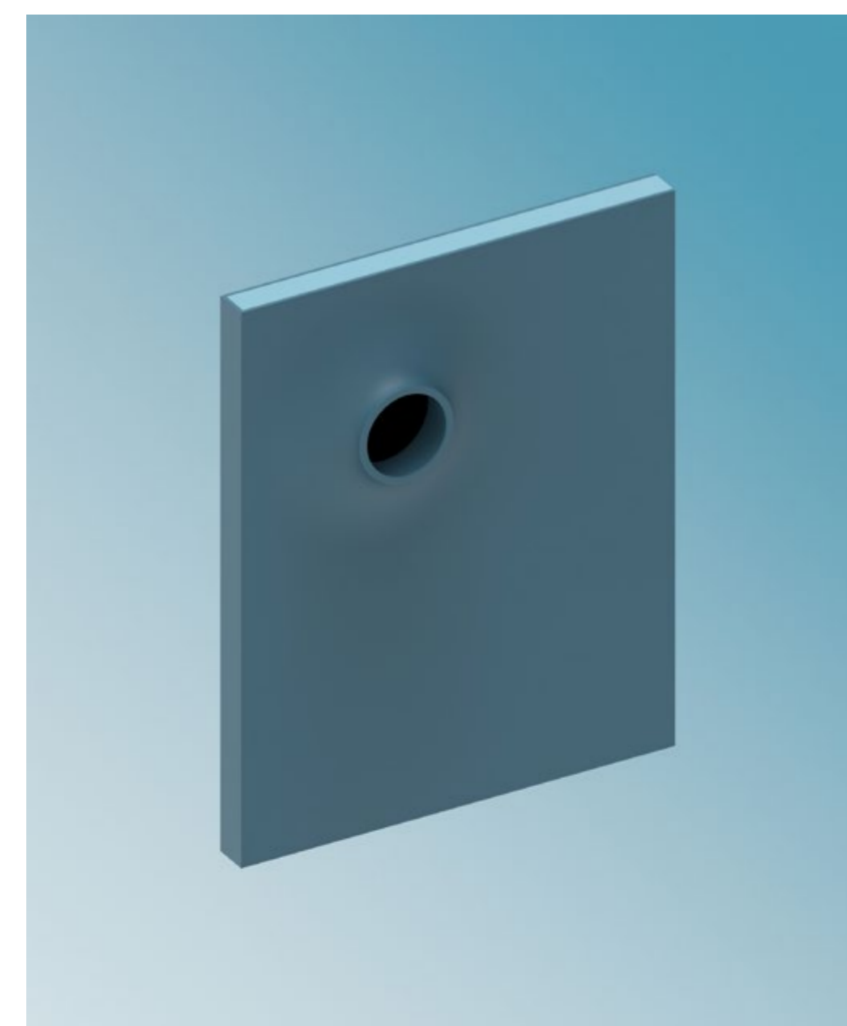
- > Hinged door and frame
- > Pocket door
- > Flush hinged door
- > Hinged, without basic door frame
- > Sliding + Pivoting
- > **Jamb 45°**
- > **Customizable jamb**
- > **Slim jamb**
- > **Without jamb**
- > **Flush Door Ext. Hinge j.**
- > **Pivoting Flush Jamb**
- > **Single Frame**
- > **Double Frame**
- > **Pivoting Frame**
- > **Evo Rail**
- > **Uno Rail**
- > **Evo + Uno Rail**

DOT



- > Pocket door
- > Sliding + Pivoting
- > **Jamb 45°**
- > **Slim Jamb**
- > **Without jamb**
- > **Evo Rail**

RING

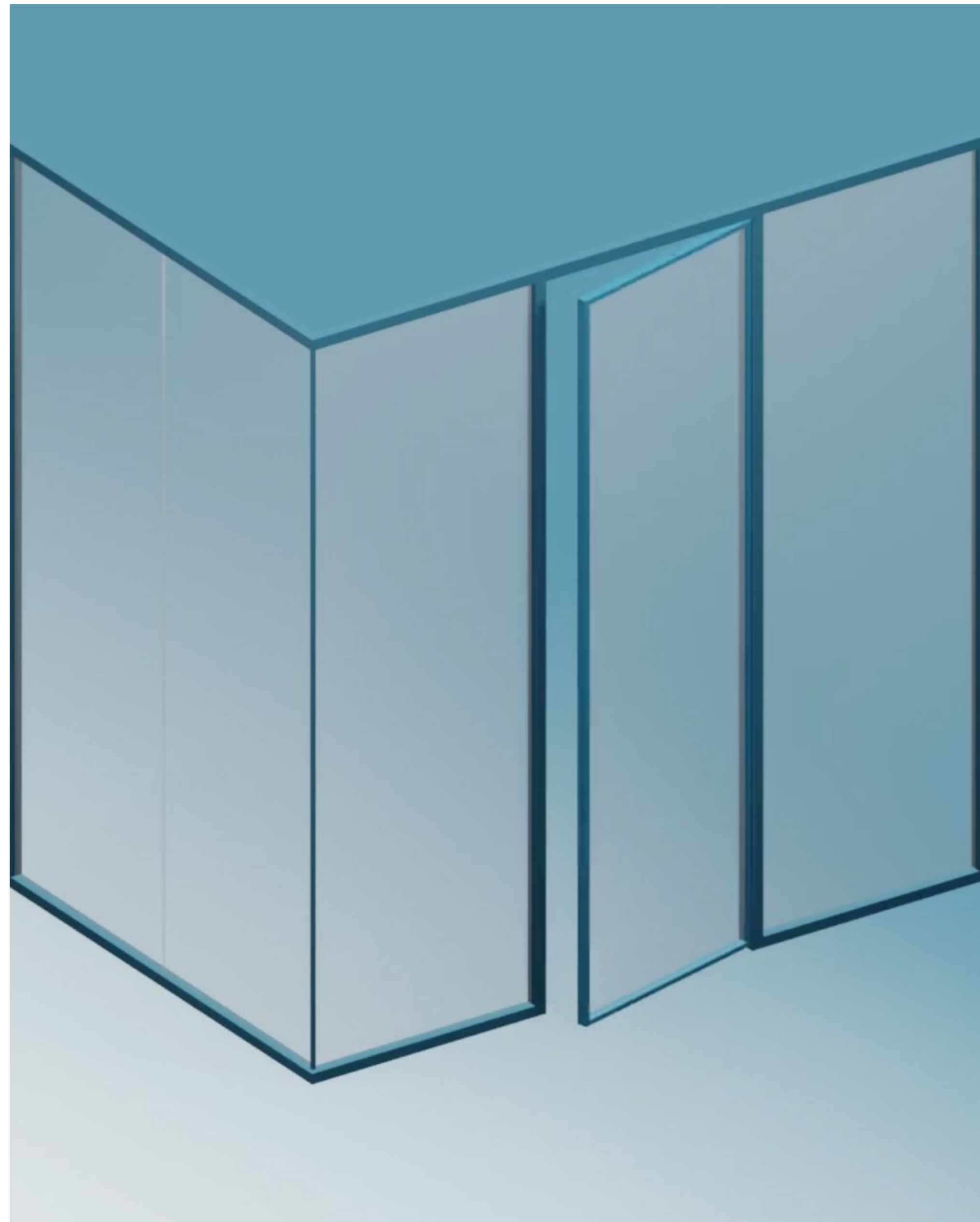


- > Hinged door and frame
- > Flush hinged door
- > **Jamb 45°**
- > **Customizable jamb**
- > **Slim Jamb**
- > **Flush Door with External Hinge**

BLOW



- > Hinged door and frame
- > Flush hinged door
- > **Jamb 45°**
- > **Customizable jamb**
- > **Slim Jamb**
- > **Flush Door with External Hinge**

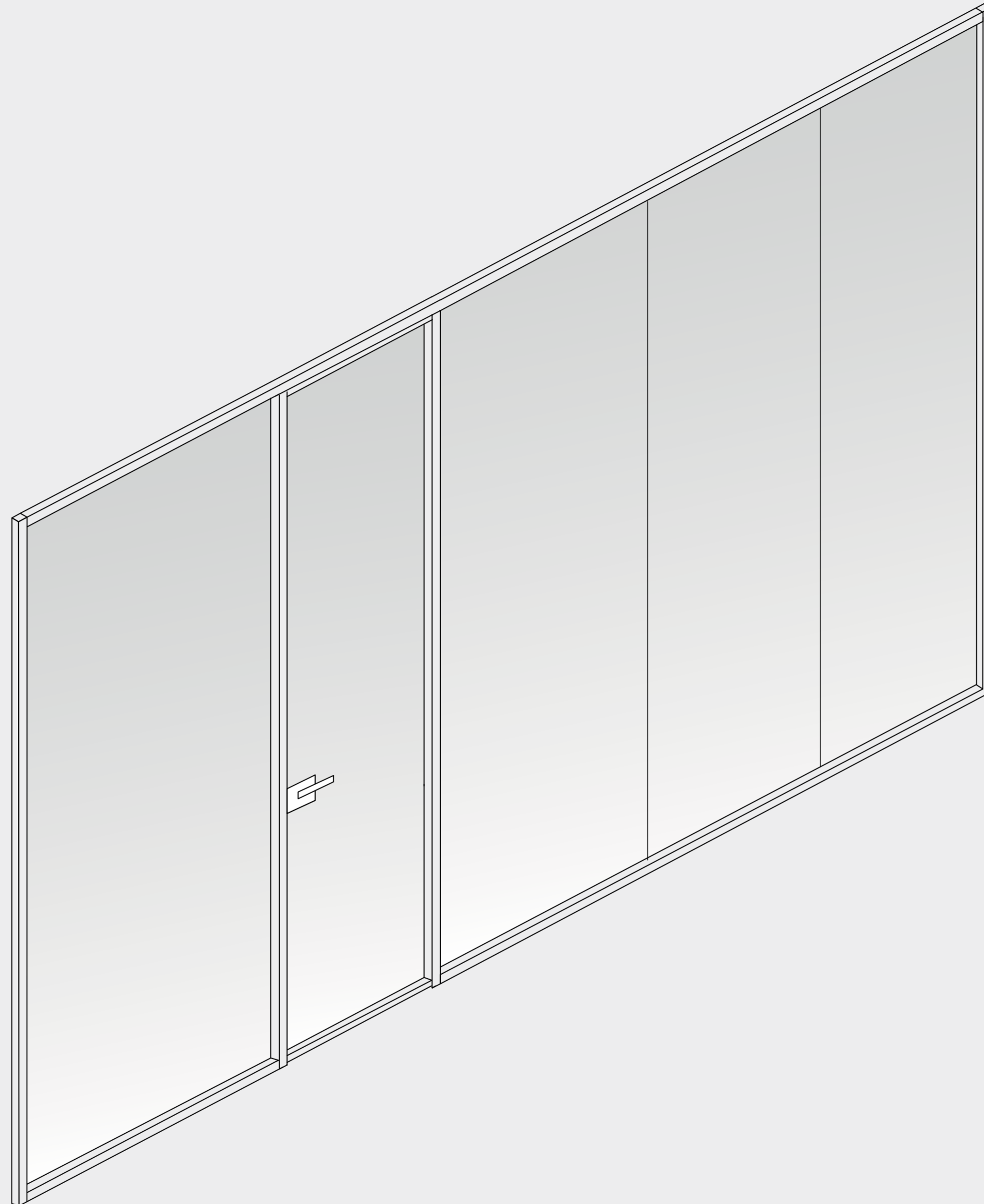


Tipology

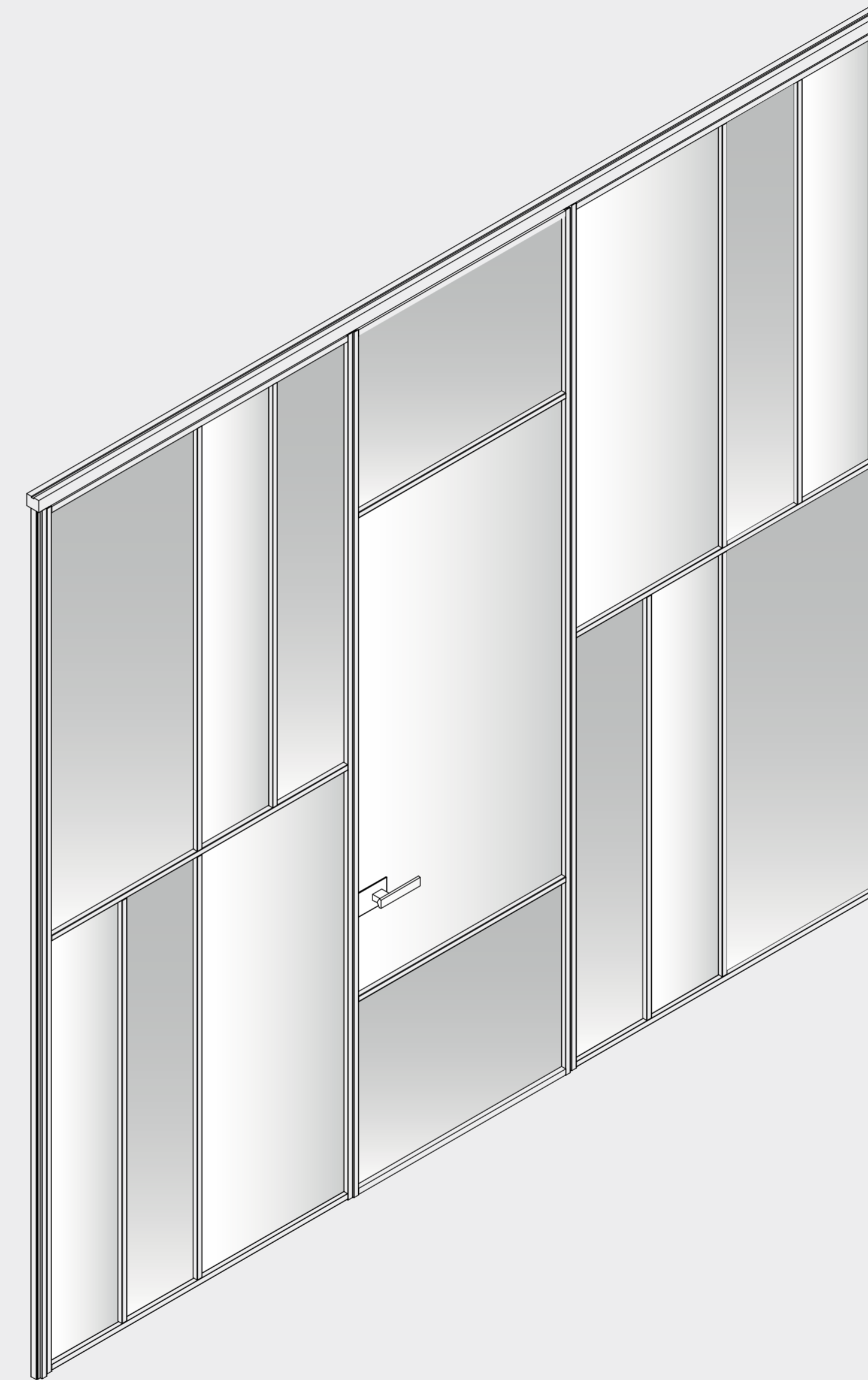
PARTITION WALL

The “partition wall” is the ideal solution for distributing spaces, when large areas need to be dealt with or specific spaces need to be isolated, both visually and acoustically, without having an architectural impact.





Continuous System



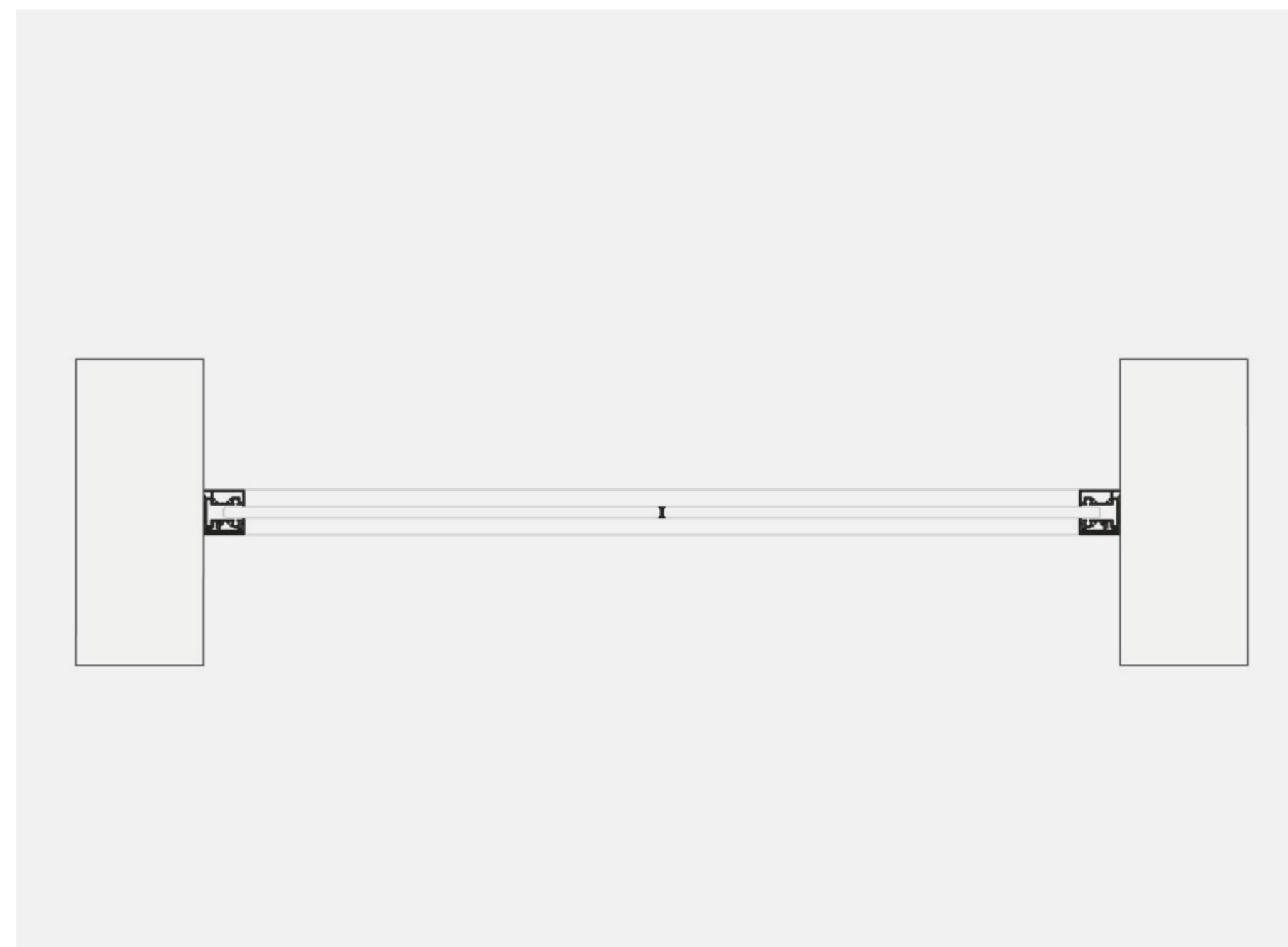
Frame System



Jamb

CONTINUOUS SYSTEM

Continuous system partition walls make it possible to define architectural spaces with transparent surfaces. Even large sized openings can be outfitted without any uprights or other visual interruptions. The result is extreme transparency and freedom of configuration, when using glass panels, including those with acoustic properties. The supports are made of highly simplified linear elements, which maintain complete glass adjustment during installation



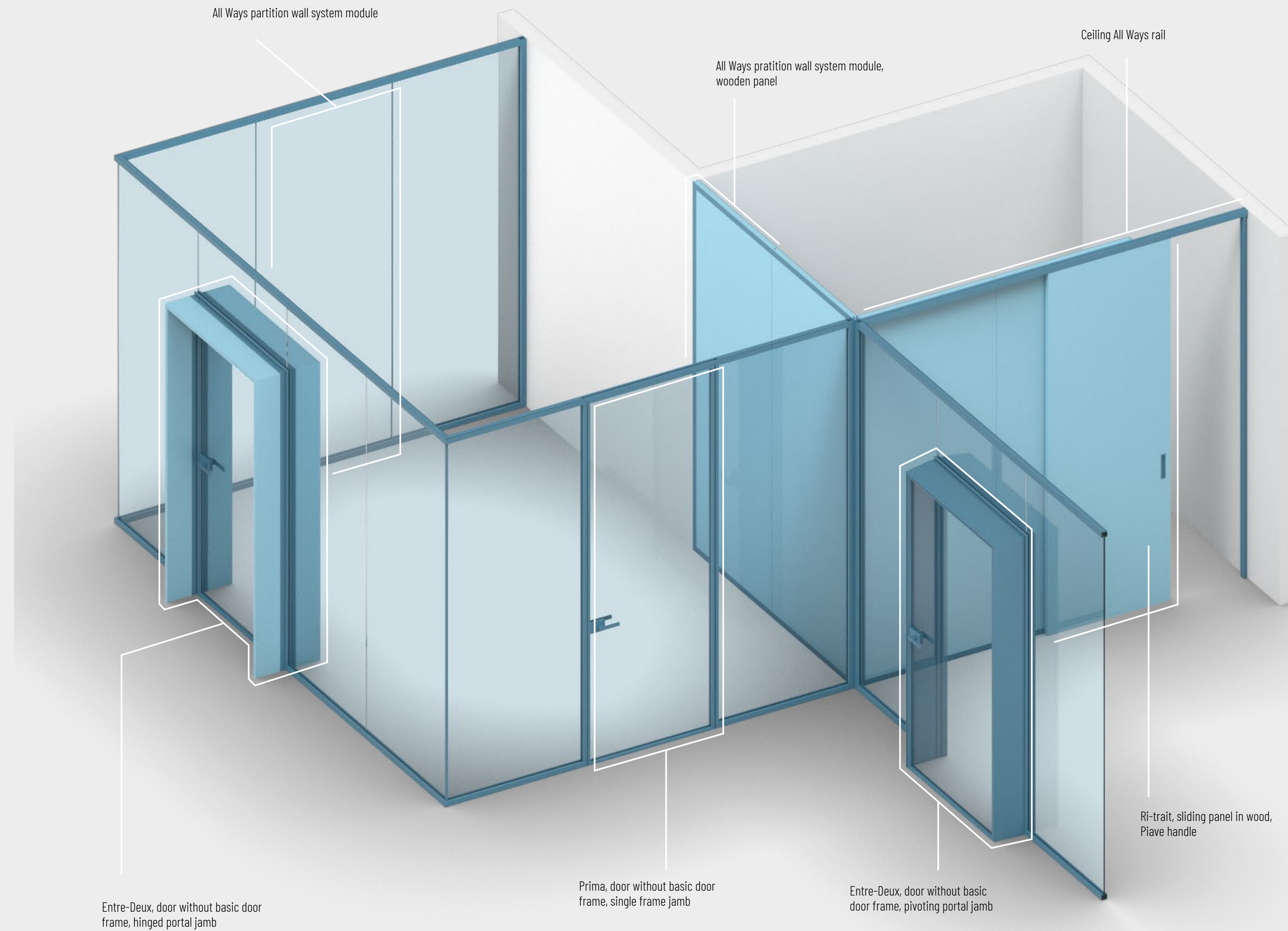


Partition Wall Continuous System
Partition Wall: ALL WAYS
Door: PRIMA

ALBED
MILANO 1924

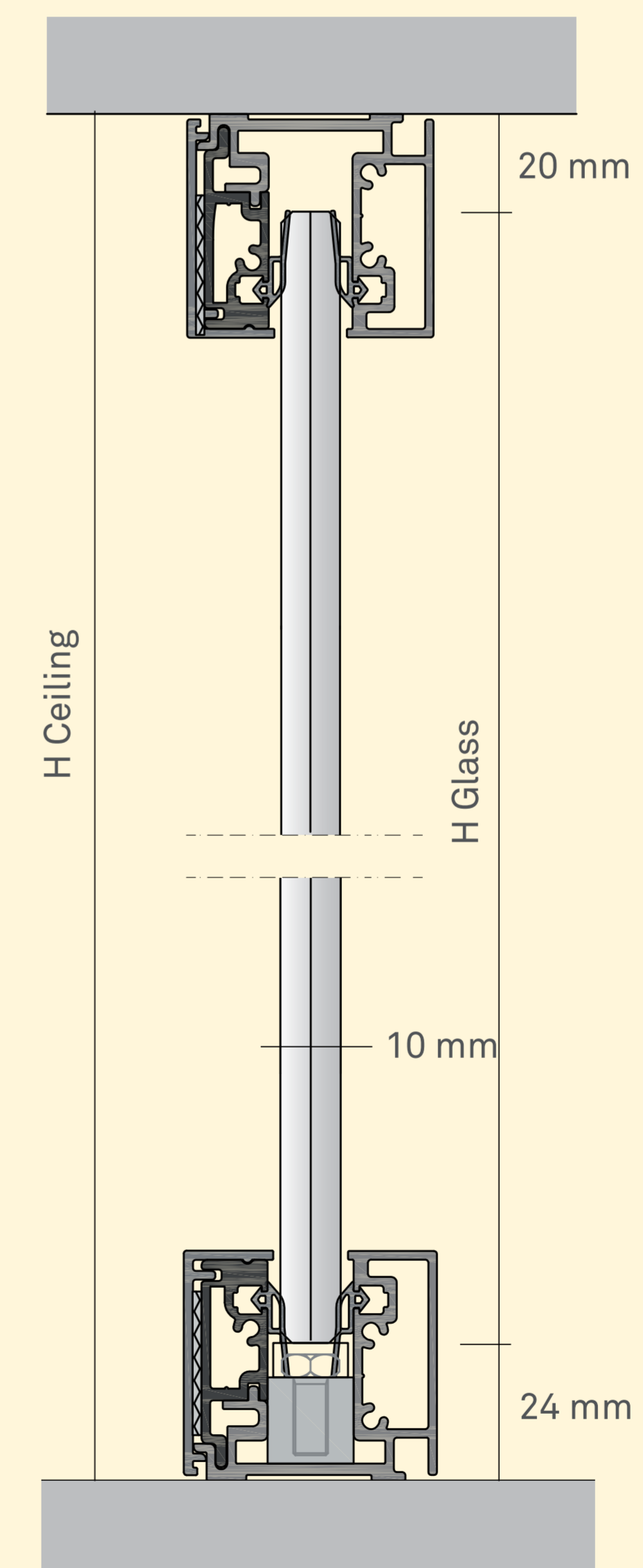
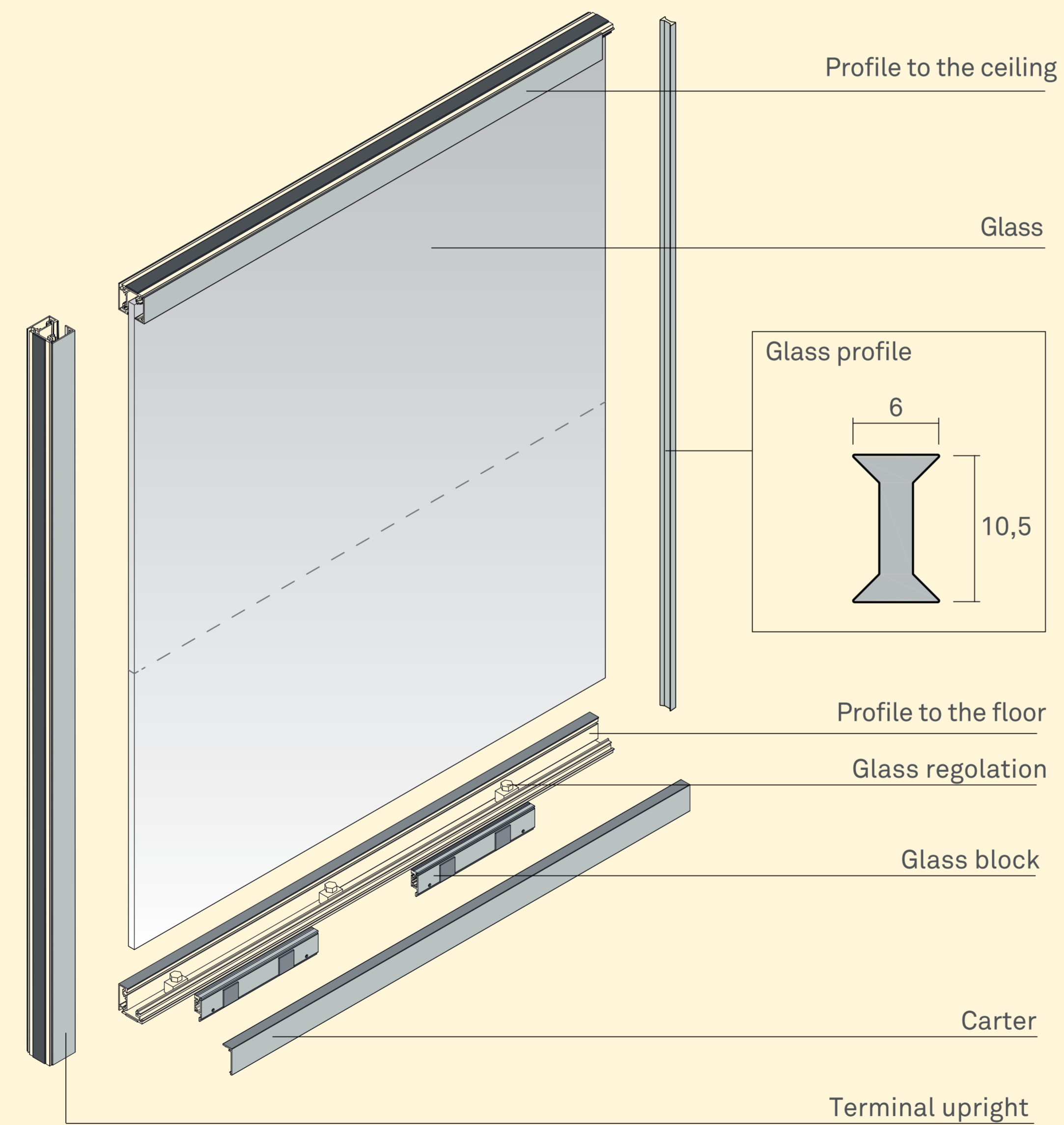
Partition Wall Continuous System
Partition Wall: ALL WAYS
Door: ENTRE DEUX





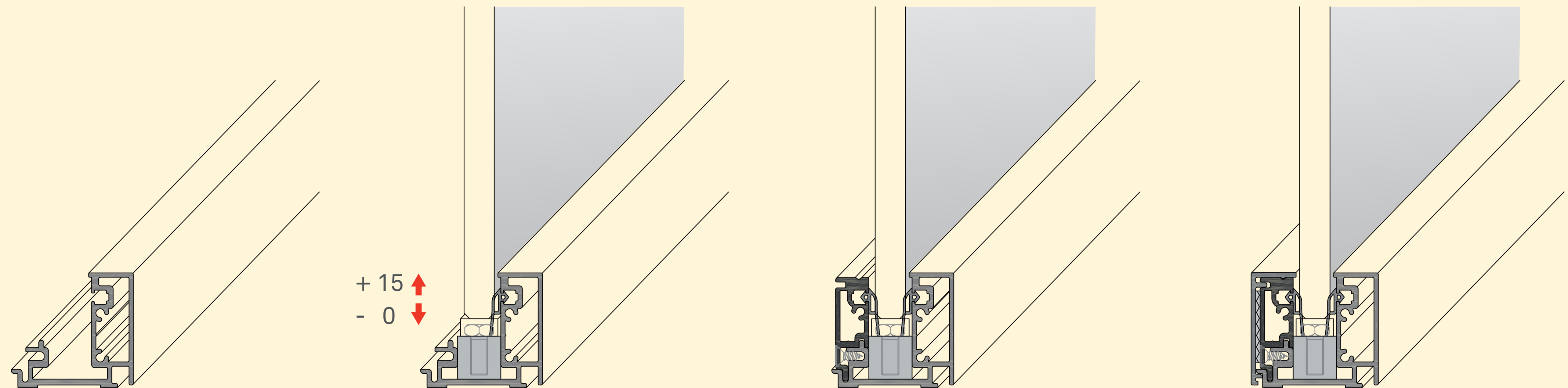
CONTINUOUS SYSTEM

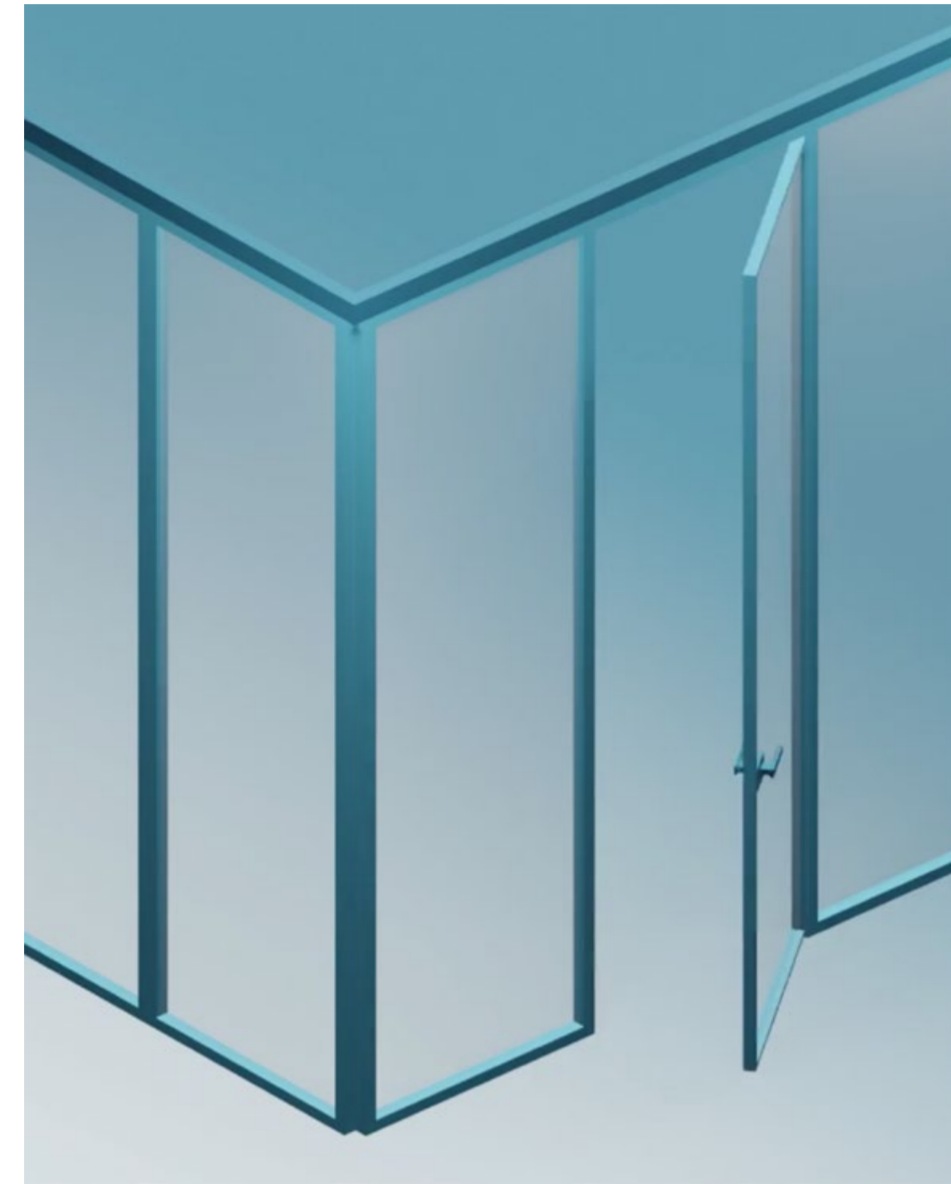
Details



CONTINUOUS SYSTEM

Adjustement

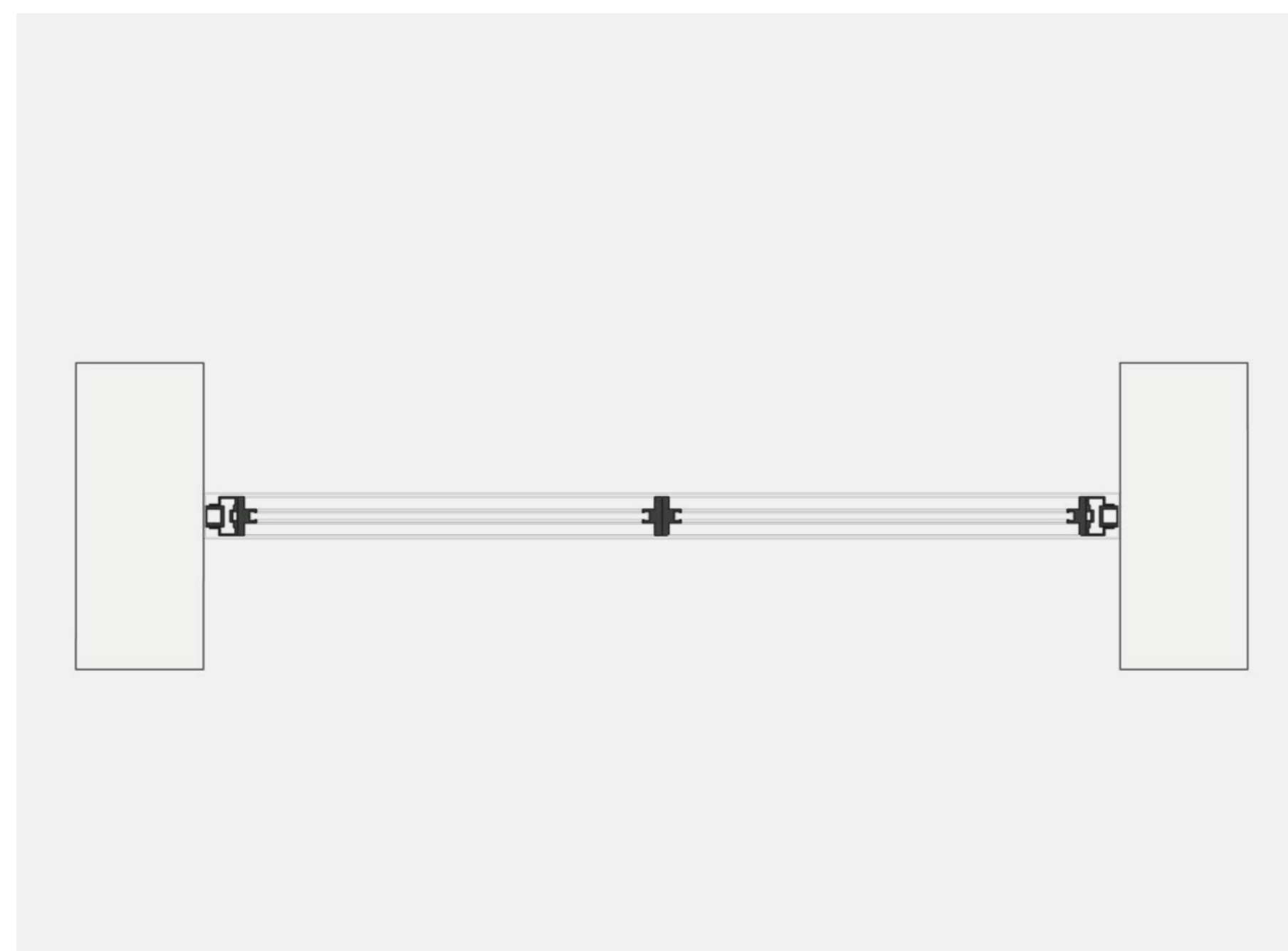




Jamb

FRAME SYSTEM

The frame system partition walls are made of individual framed elements. Each glass panel is attractively outlined by a thin aluminium profile. This partitioning system is particularly suitable for architectural approaches designed to enhance the dividing up and connection of spaces, also through playing with filters, transparency, and repetition of metal elements or glass compositions, also with differing finishes.

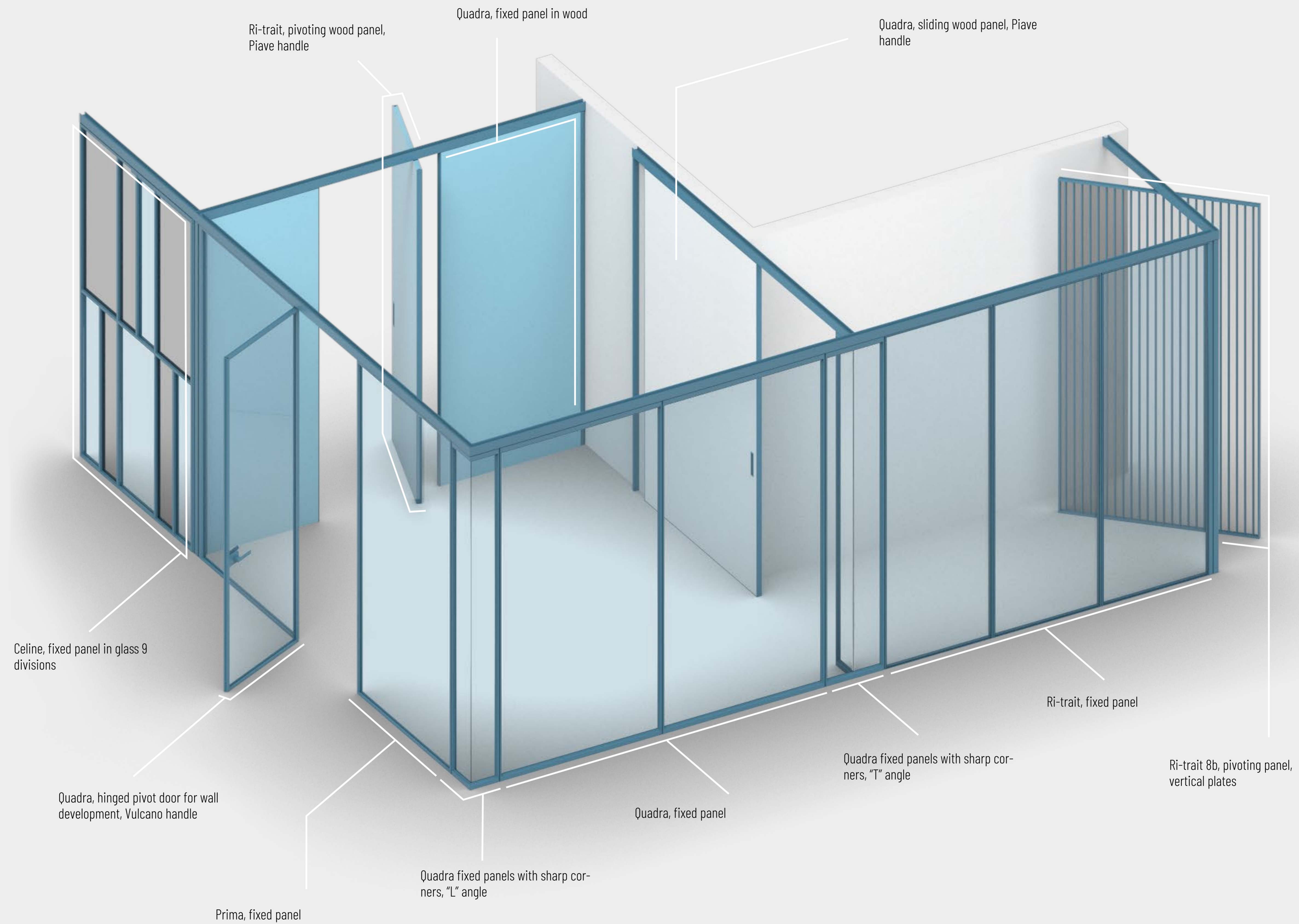




Partition wall
Frame System
Model: QUADRA

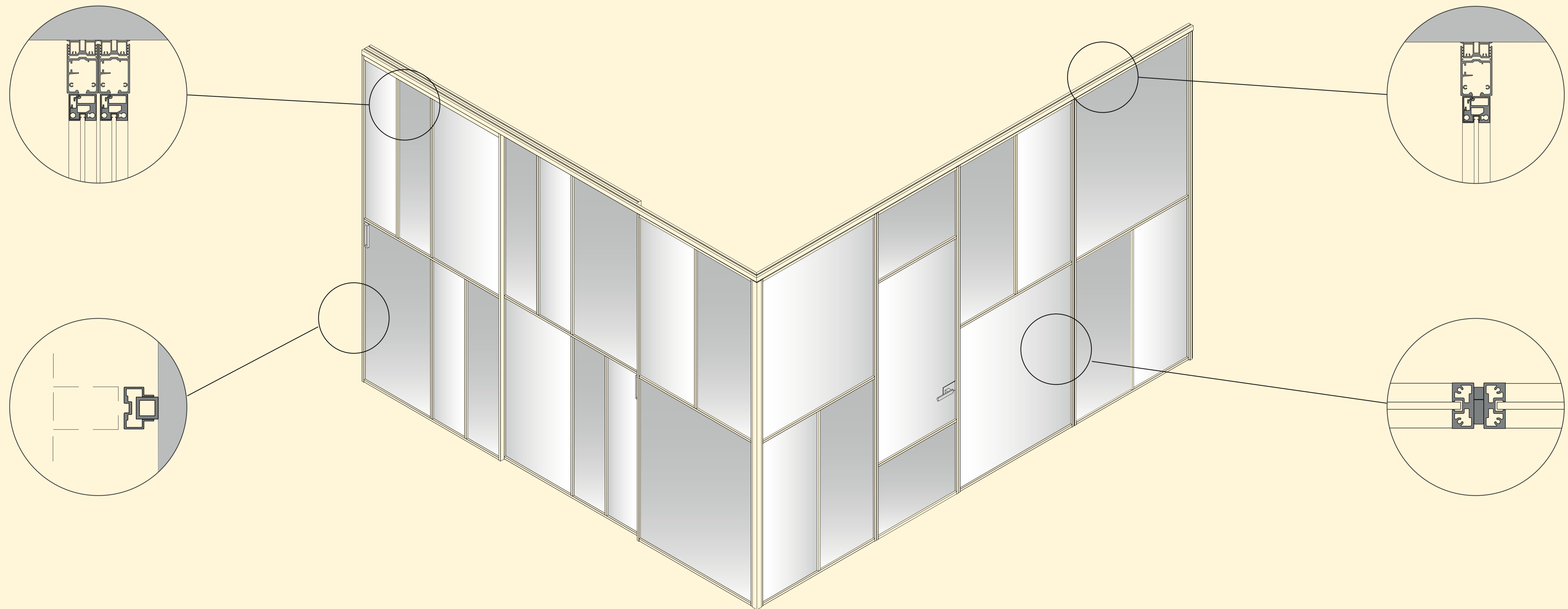


Partition wall
Frame System
Model: QUADRA



FRAME SYSTEM

Details



ALL-WAYS



> Partition wall > **Continuous System**

PRIMA



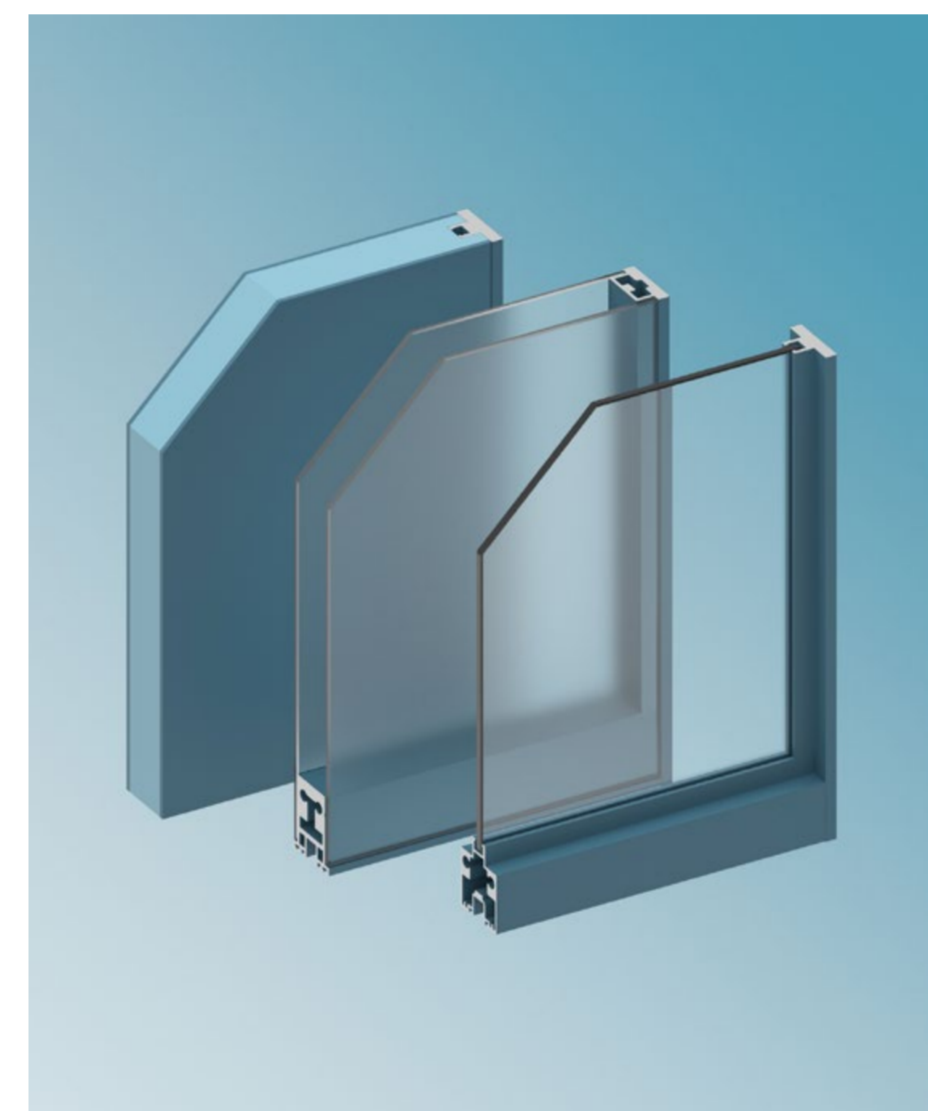
> Partition wall > **Frame System**

CELINE



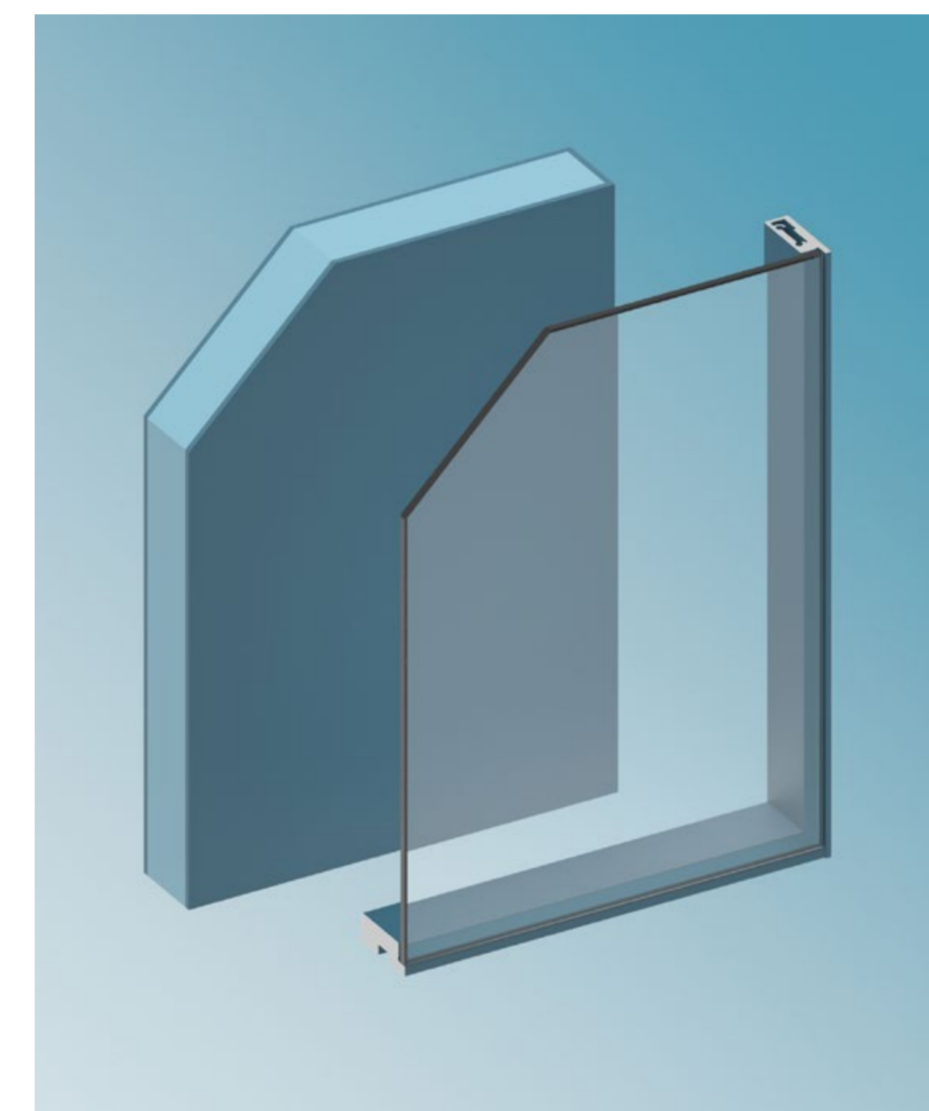
> Partition wall > **Frame System**

QUADRA



> Partition wall > **Frame System**

RI_TRAIT



> Partition wall > **Frame System**

RI_TRAIT 8B



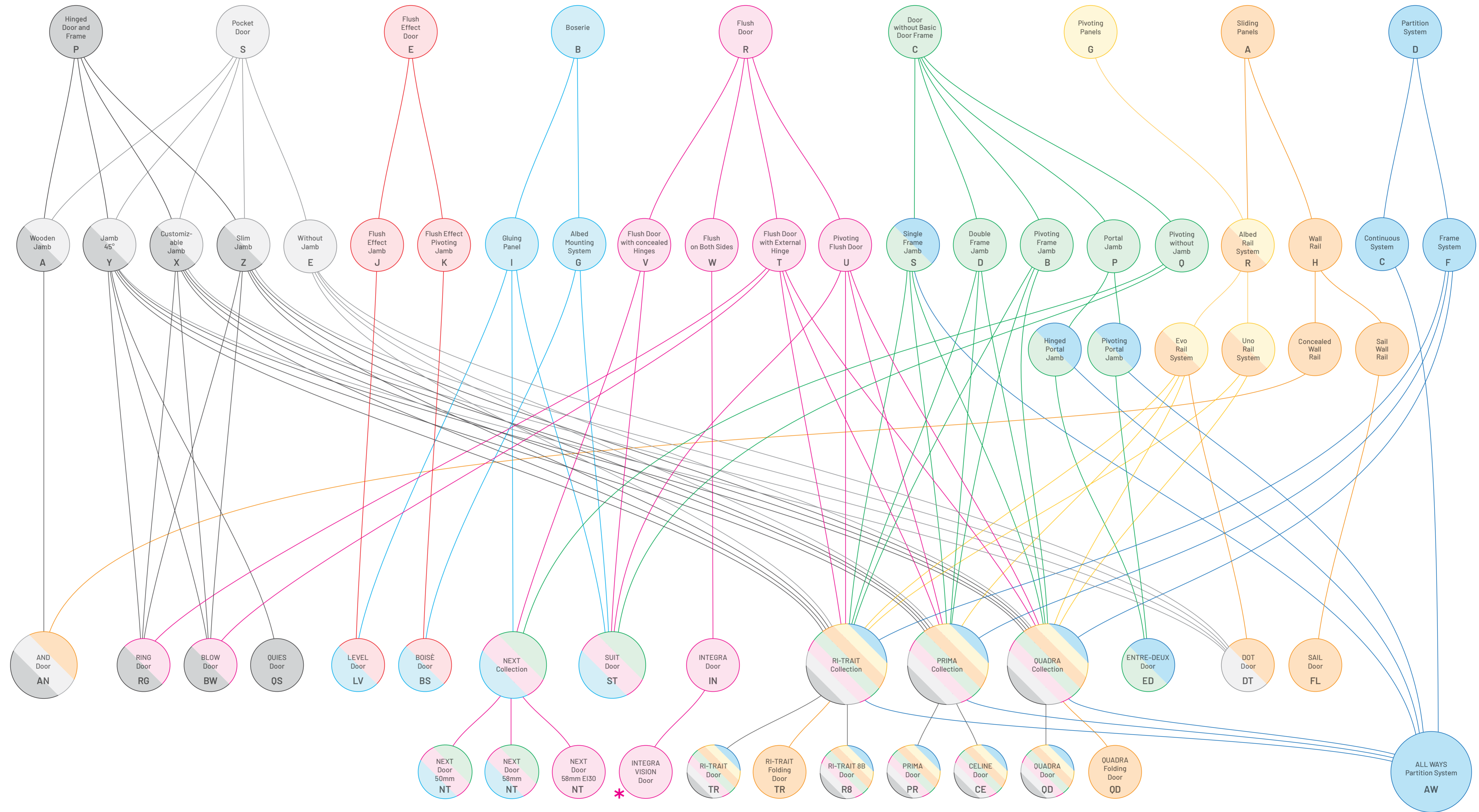
> Partition wall > **Frame System**

TIPOLOGY
What solution are you looking for?

IMPLEMENTATION
How does the solution integrate into the project?

PRODUCT
What is the aesthetics of the product?

VARIATIONS
Variations and Special versions of products



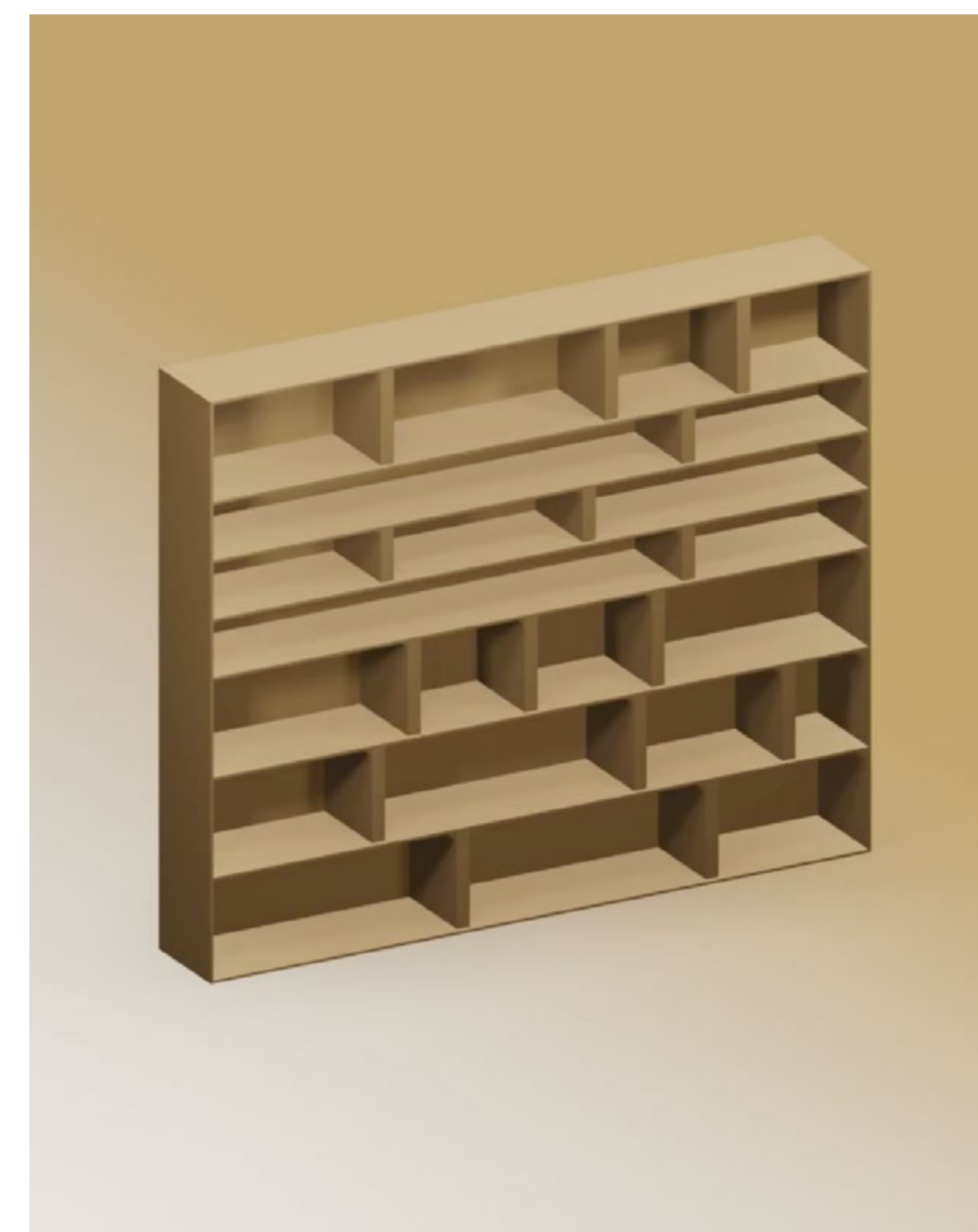
* In collaboration with EVOLUENDO

The product System

Albed's Types of furnishing accessories Albed following the product system



Walk-in closet



Bookshelves



Table



Tipology

WALK-IN CLOSET

Modular, personalisable systems that can be used to create tailor-made walk-in closets for every design need, with very high quality construction. The system of aluminium uprights makes it possible to match panels and finishes in all materials for extreme configuration.

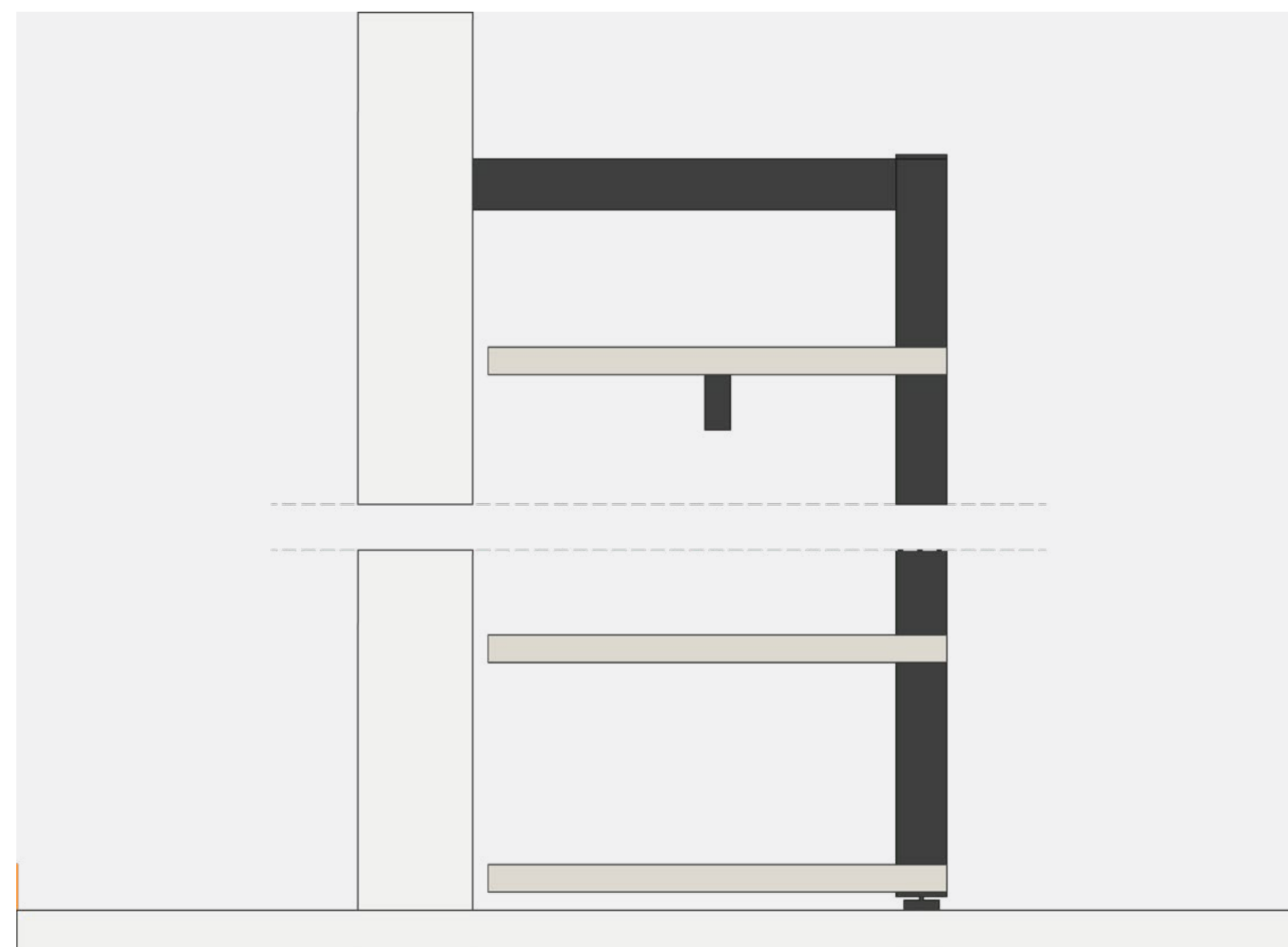




Placement

WALL MOUNTED WITH FRONT UPRIGHTS

The front uprights choice is the ideal solution when you want to opt for an essential walk-in closet without a back panel. The front uprights divide up the front and support all the system's elements, allowing minimal interaction with the back wall. This type of upright also makes installation possible when dealing with very high, non standard ceilings.

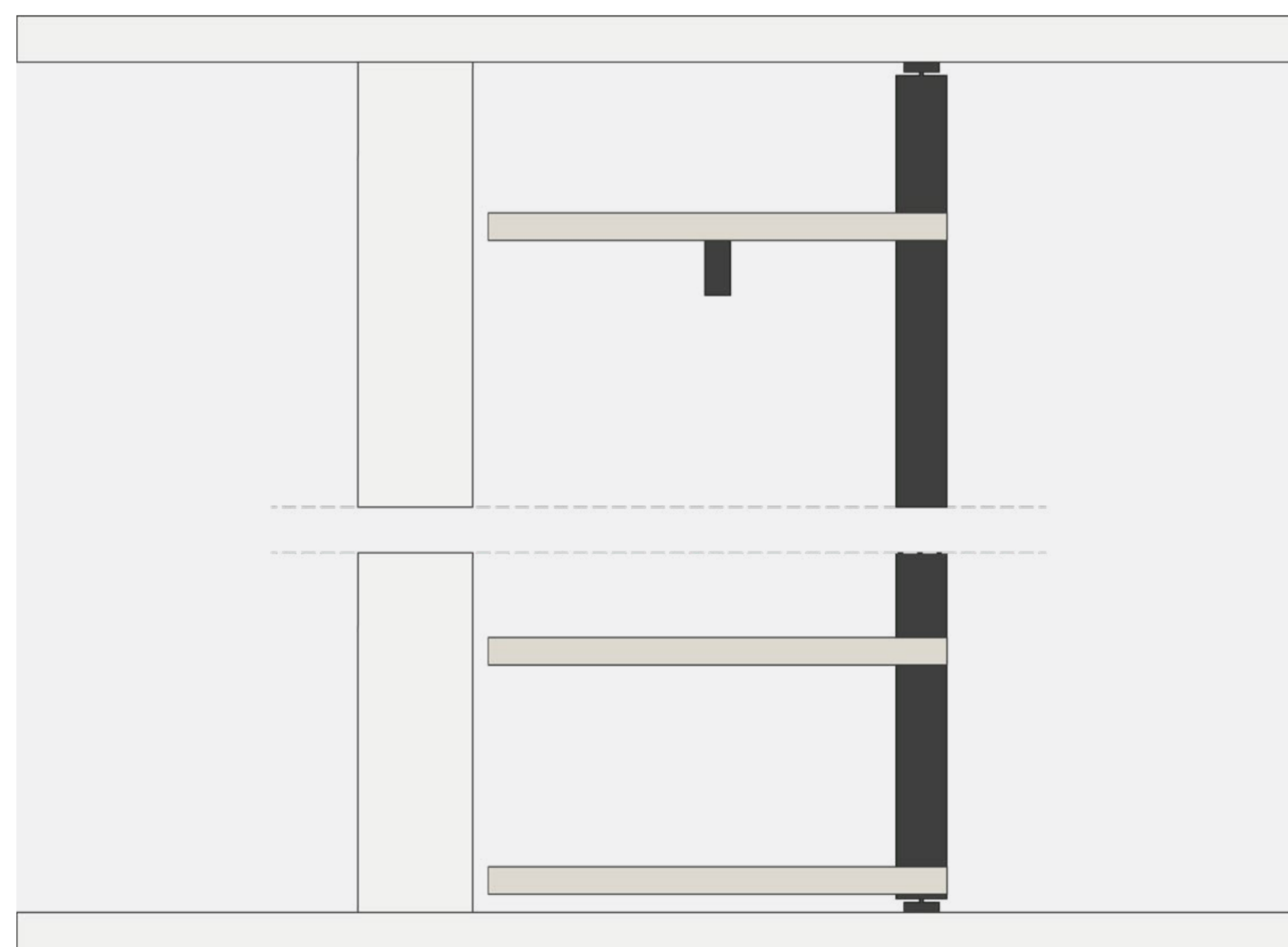




Placement

CEILING UPRIGHT

Opting for a ceiling upright solution is ideal when dealing with standard heights (up to 320 cm) and if you want the walk-in closet to go from floor to ceiling. This type of walk-in closet makes it possible to avoid any interaction with the vertical walls. For this solution, the uprights are fitted on the front, which does not allow for installing a back panel.

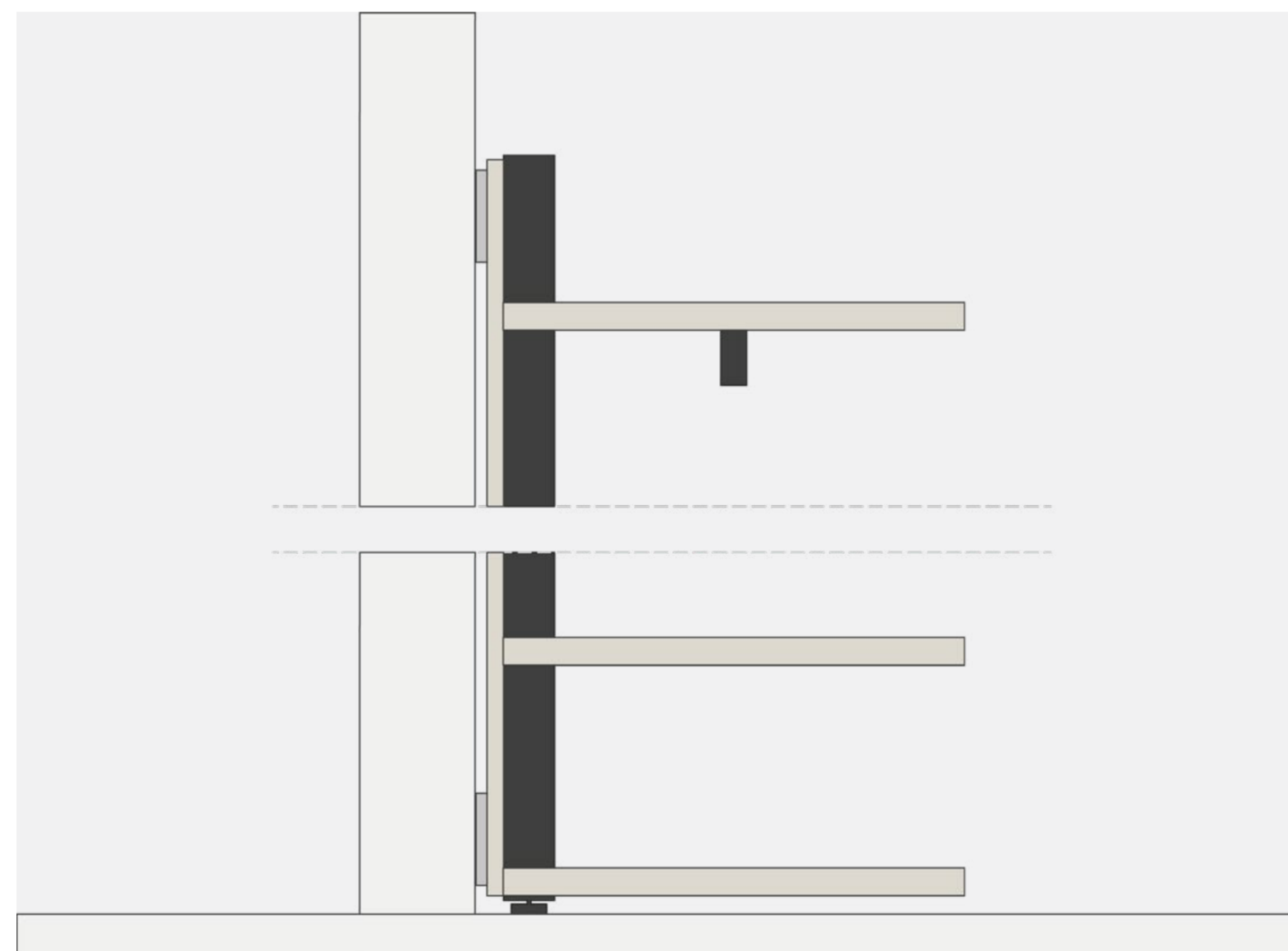




Placement

WALL MOUNTED WITH BASE UPRIGHTS

The base uprights choice is the ideal solution when you want to create a walk-in closet with a back panel. The system's elements are supported at the base, leaving the front of the walk-in closet completely free. This type of upright also makes installation possible when dealing with very high, non standard ceilings.



ALBED
MILANO 1971



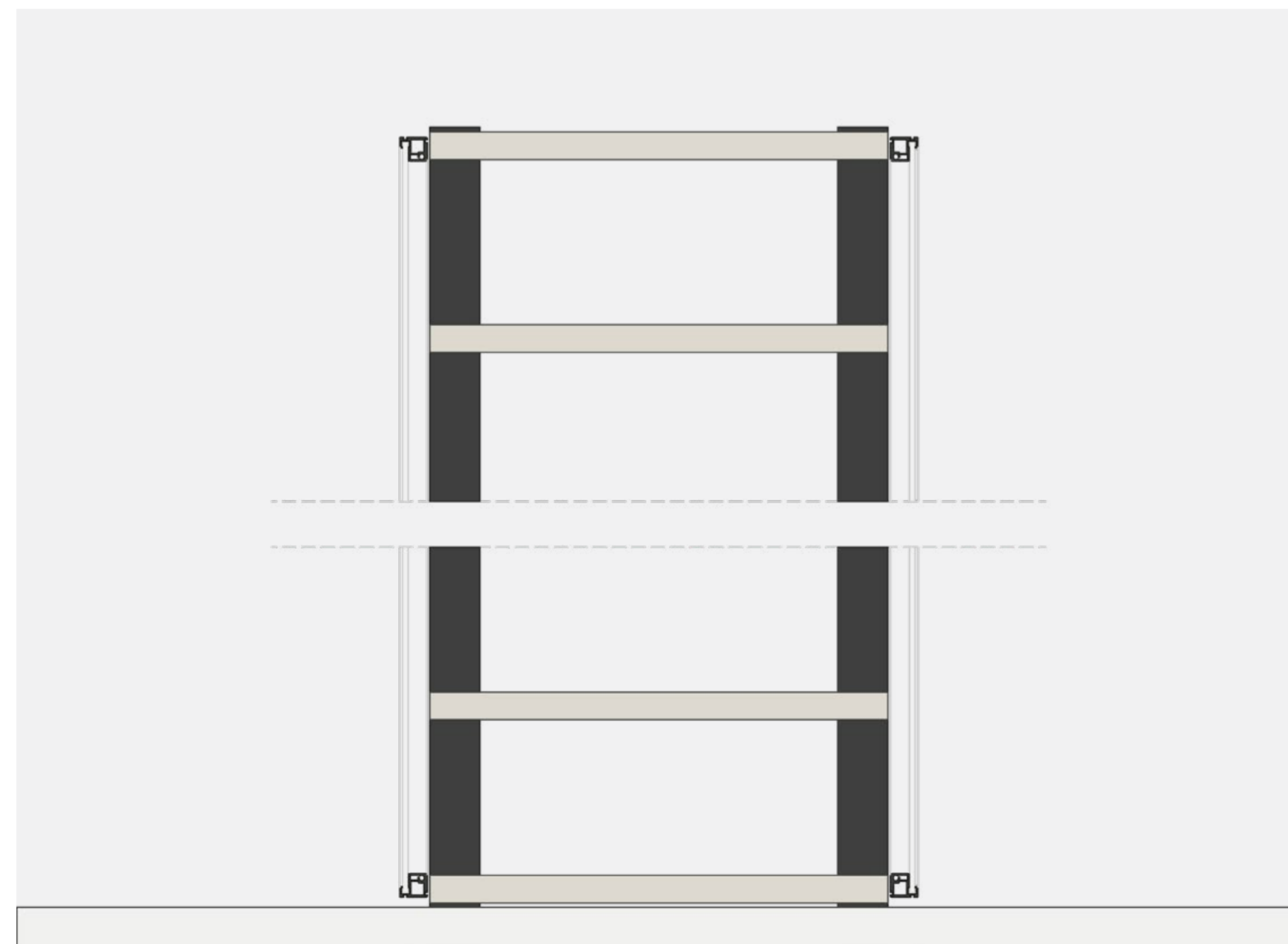
Walk-in closet
Wall mounted with base uprights
Model: Ri-vista



Placement

FREE STANDING

This solution is ideal when the walk-in closet is to be used as a furnishing item, putting it in the centre of a room or near to a bed. It is fully enclosed with its sides and glass door with very thin profiles, and as it is highly configurable and personalisable, it is ideal for applying to the most demanding requirements.

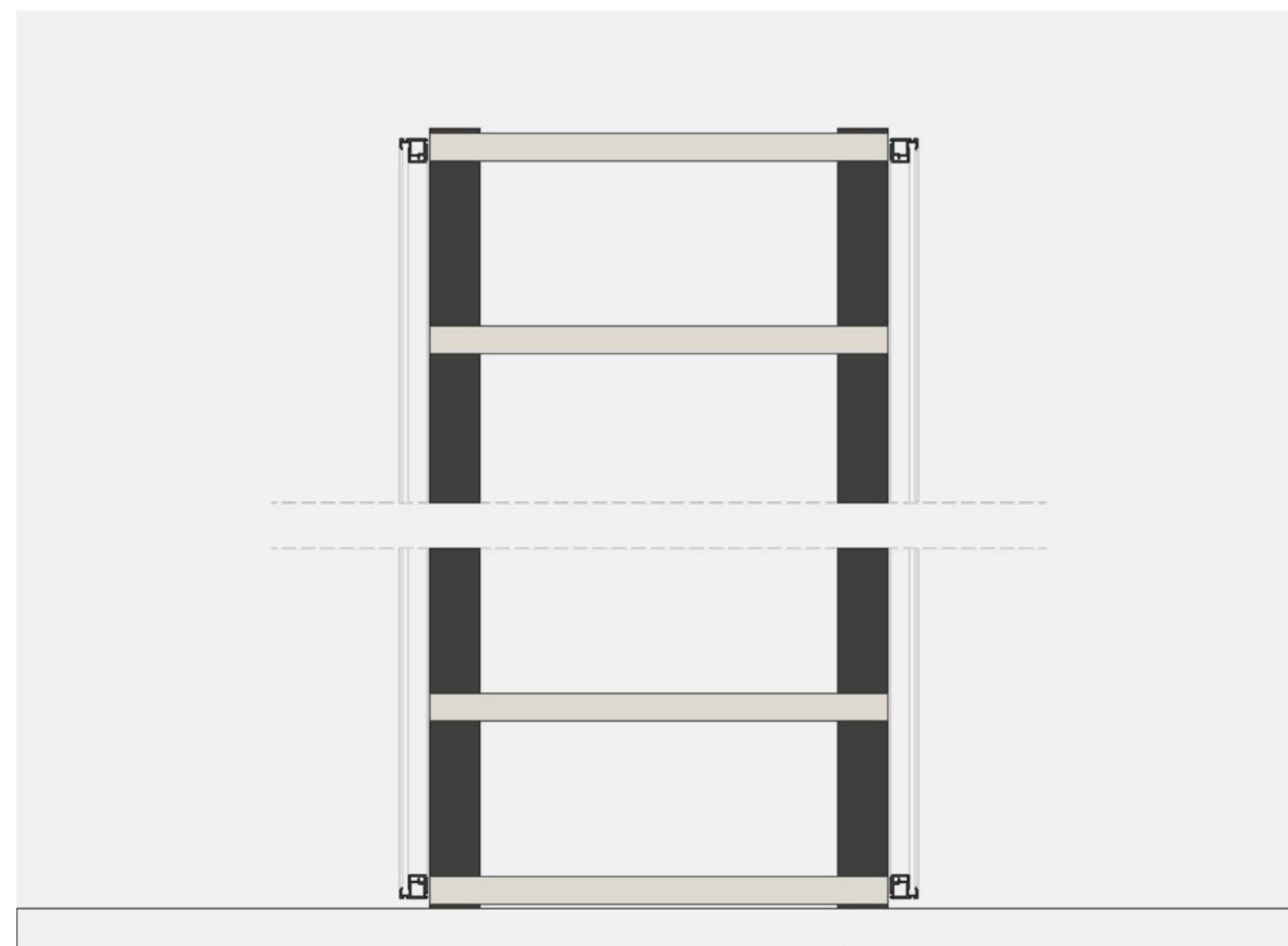




Placement

NICHE

The niche walk-in closet solution has ceiling uprights that are installed inside an architectural opening. This type of solution makes it possible to fit hinged doors on the structure itself.

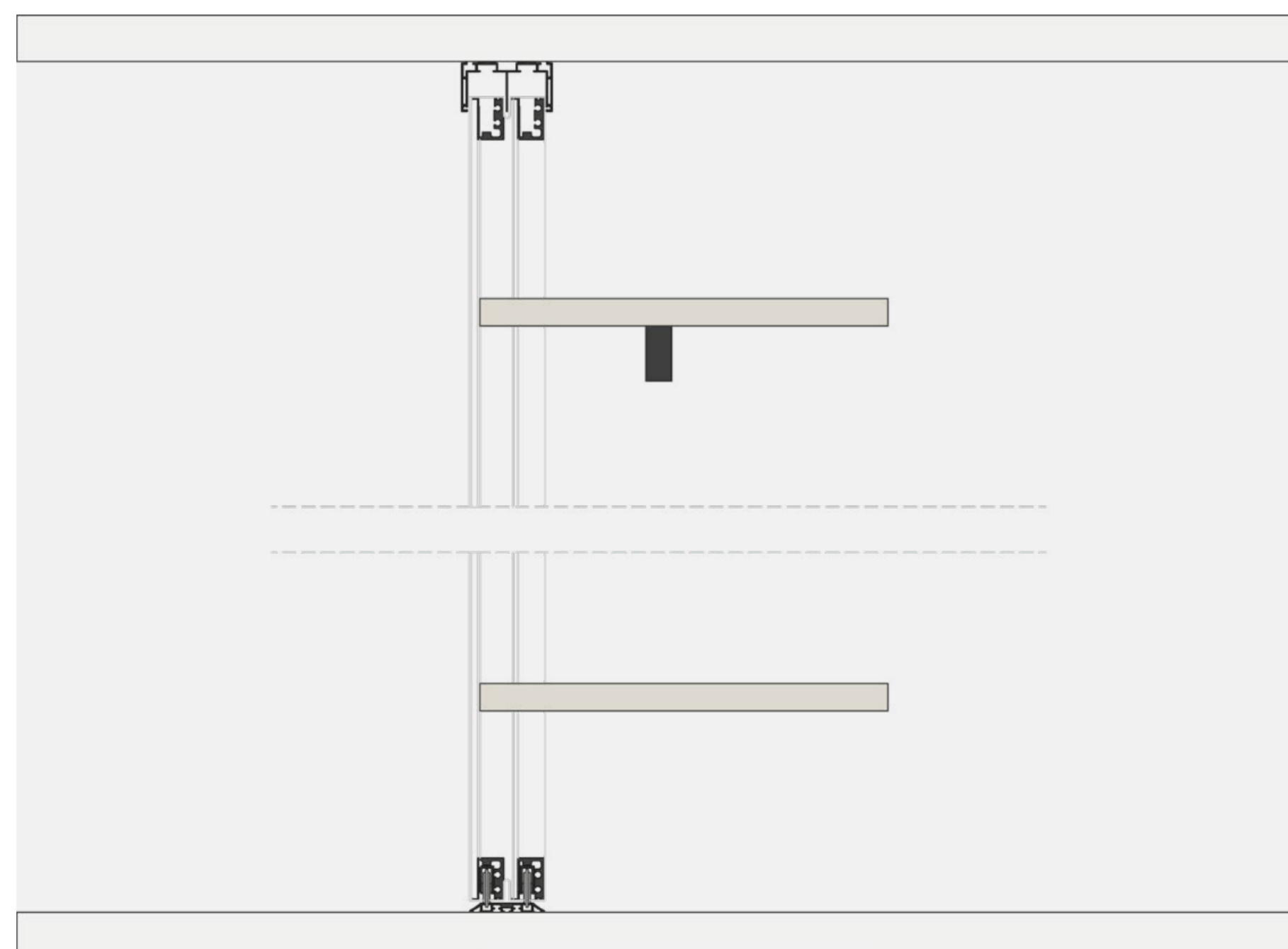


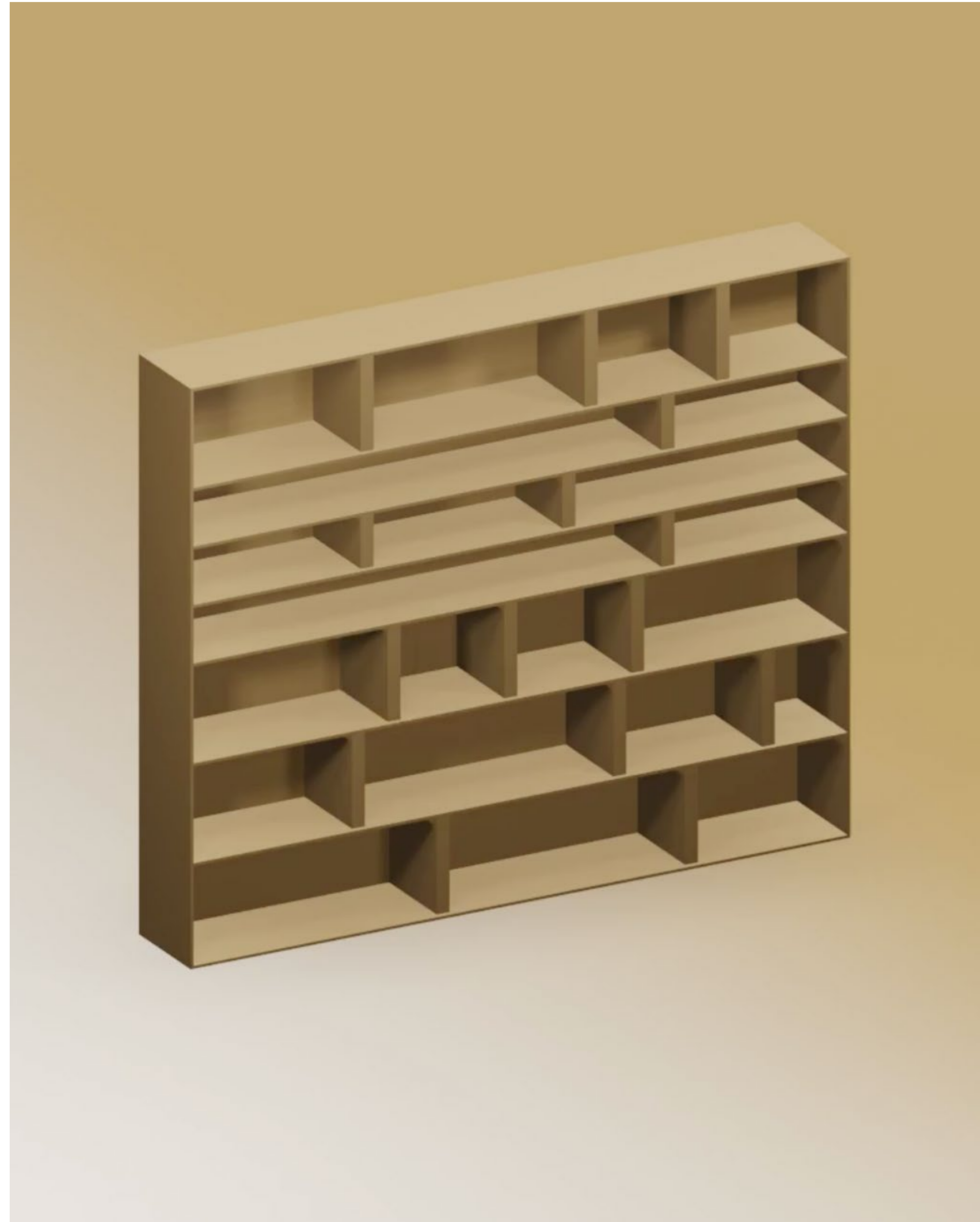


Placement

SLIDING WALL

The sliding wall solution is an ideal space saving solution for increasing the accessorised area of a walk-in closet, or when you want to divide a room dynamically and flexibly, using an enclosing system made up of moveable modules. The innovative ceiling and floor track system can accommodate an unlimited number of elements that can slide, move sideways, and, in some versions, rotate through 360°.





Tipology

BOOKCASES

An essential collection of bookcases and tables completes our interior architectural system. Our aluminium and glass technology ensure very high quality construction details, and maximum lifespan.

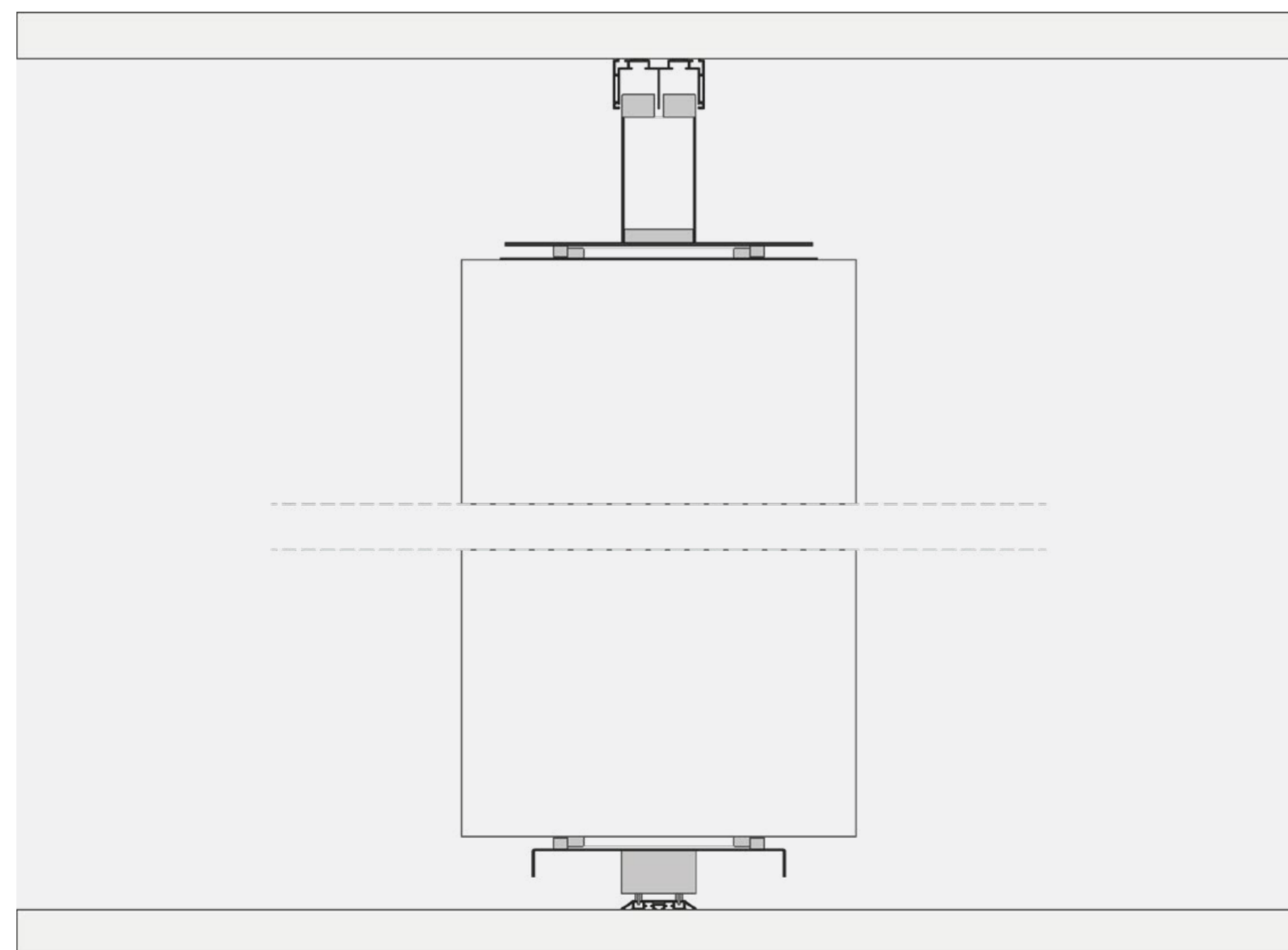


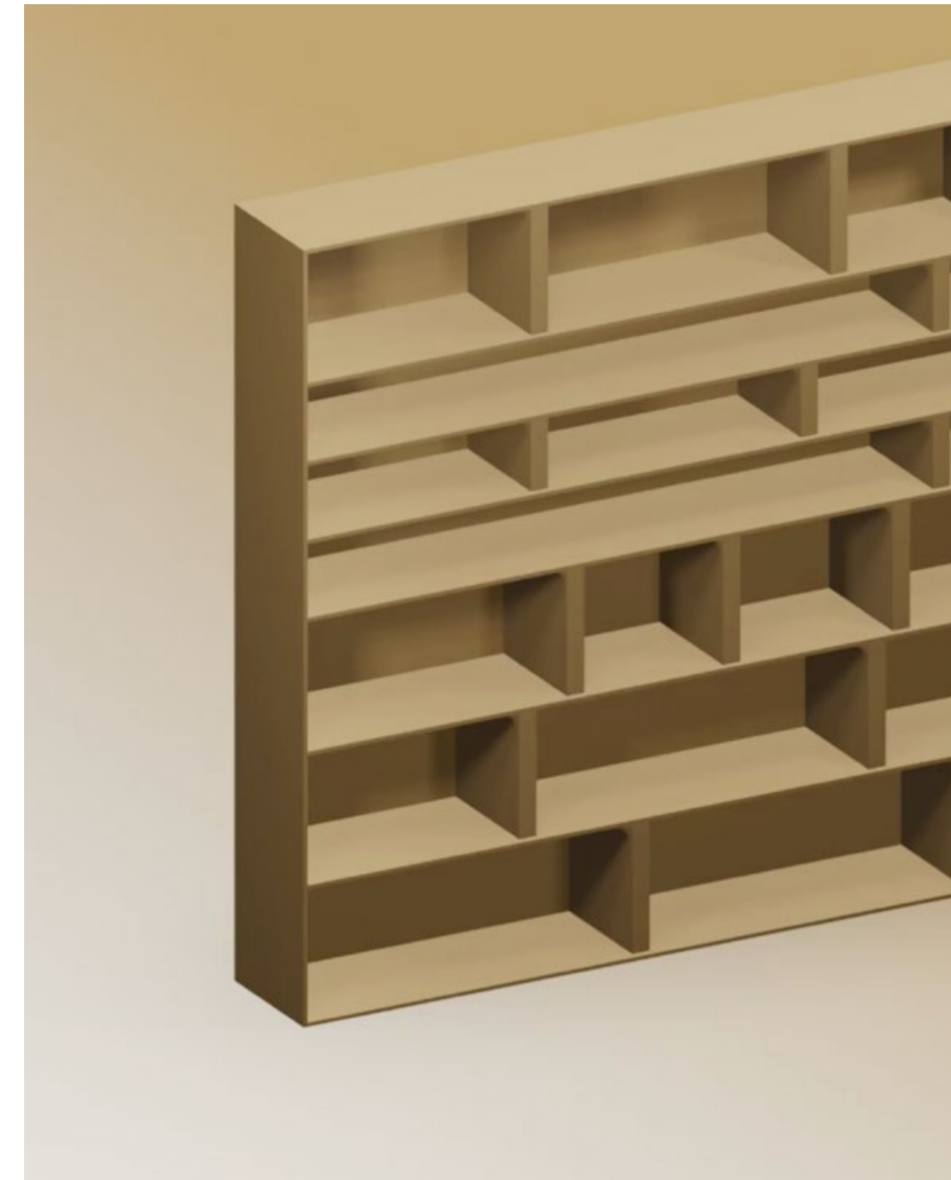


Placement

SLIDING WALL

The sliding wall solution is an ideal space saving solution for increasing the accessorised area of a walk-in closet, or when you want to divide a room dynamically and flexibly, using an enclosing system made up of moveable modules. The innovative ceiling and floor track system can accommodate an unlimited number of elements that can slide, move sideways, and, in some versions, rotate through 360°.

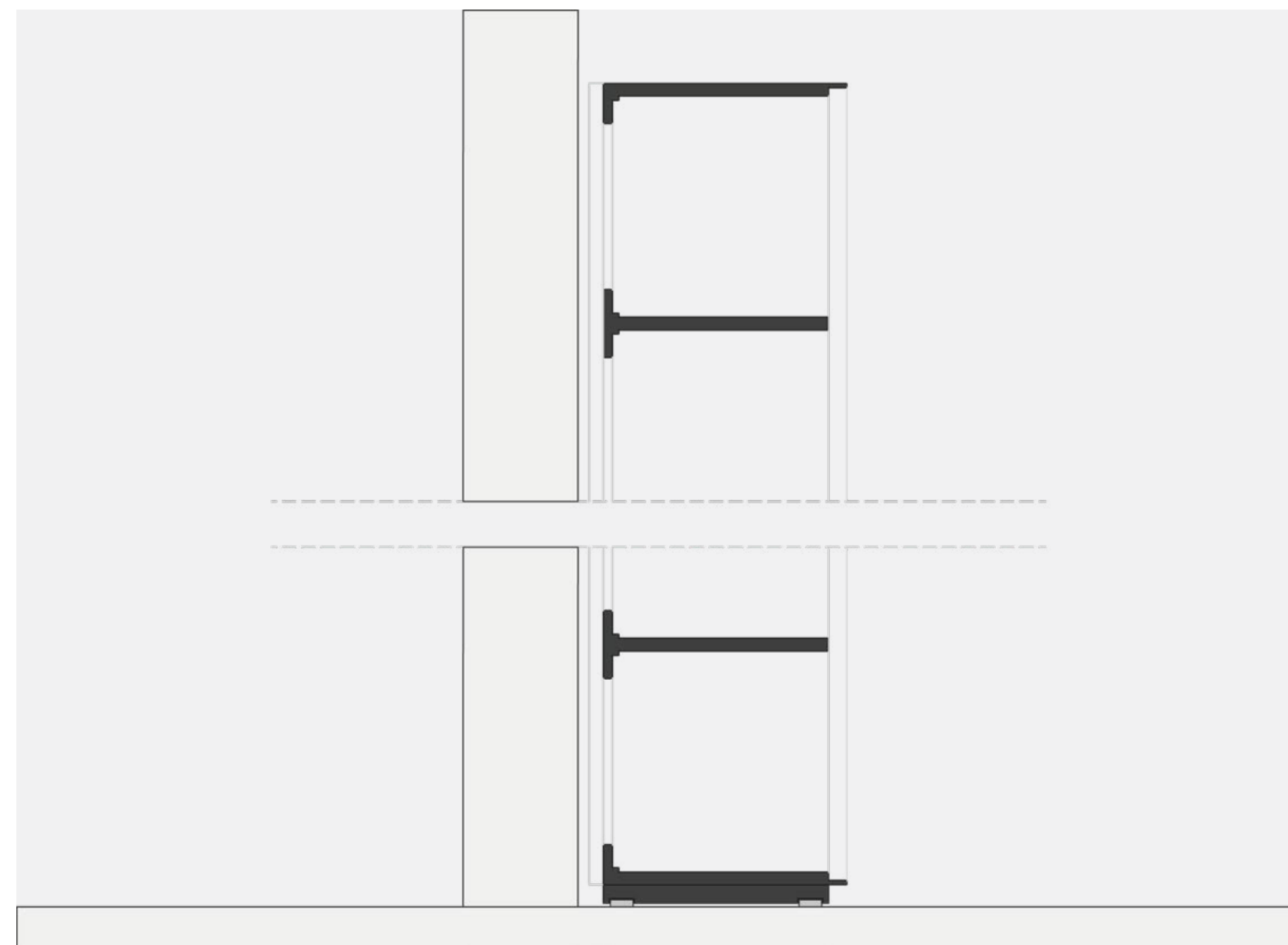




Placement

WALL UPRIGHT

The classical solution for creating a wall-mounted bookcase.





Bookcases
Wall Upright
Model: LINE



Tipology

TABLES

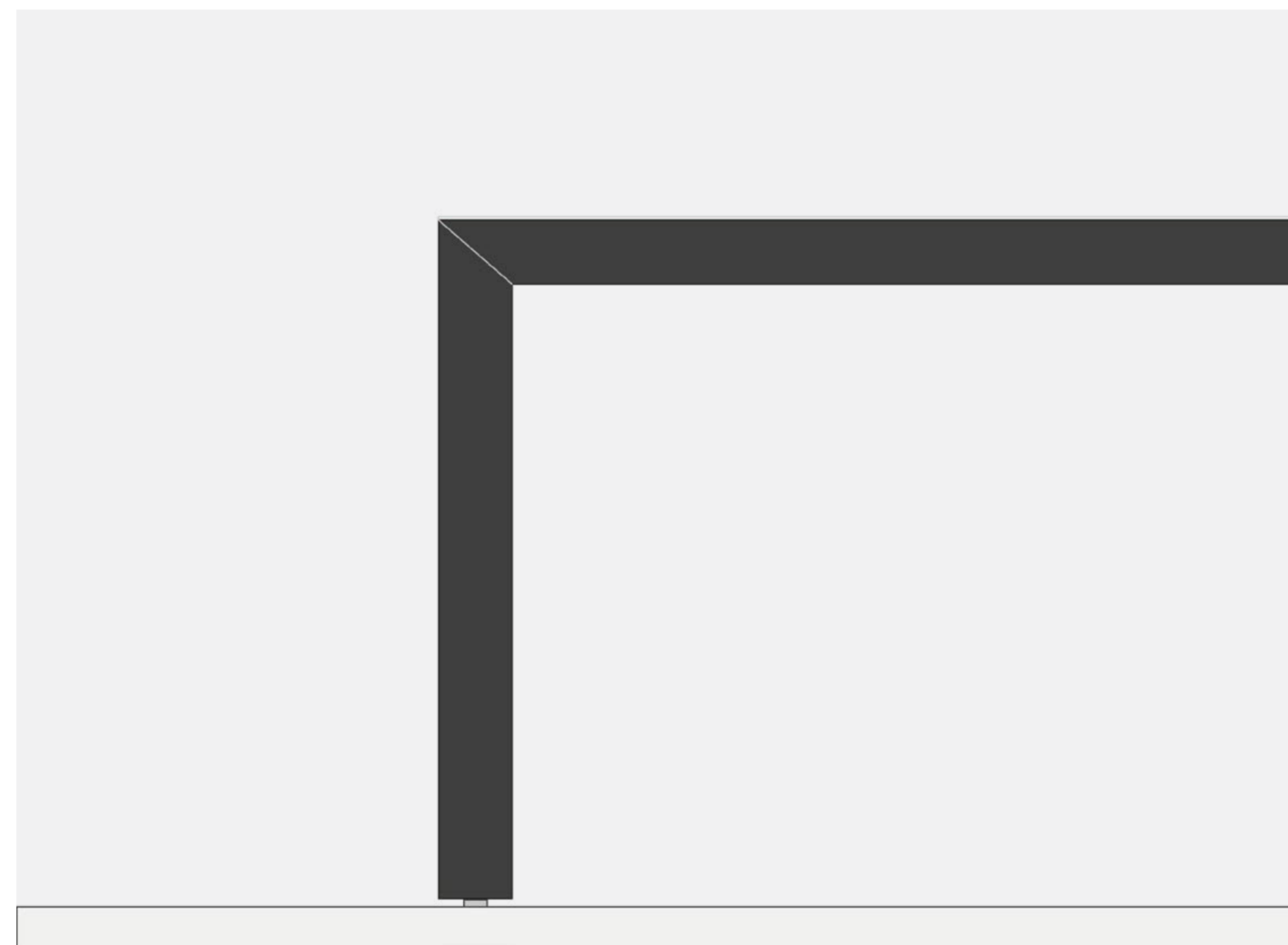
An essential collection of bookcases and tables completes our interior architectural system. Our aluminium and glass technology ensure very high quality construction details, and maximum lifespan.



Placement

NILE

The Nile table has extremely simple lines, and is suitable for both the domestic scene and the complex contract furnishings world. Its extremely rigid structure means that it can be made in significant sizes.



SOLO



- › Walk-in Closet
- › **Wall mounted with front uprights**
- › Ceiling Upright

SOLO



- › Walk-in Closet
- › **Niche**

SOLO



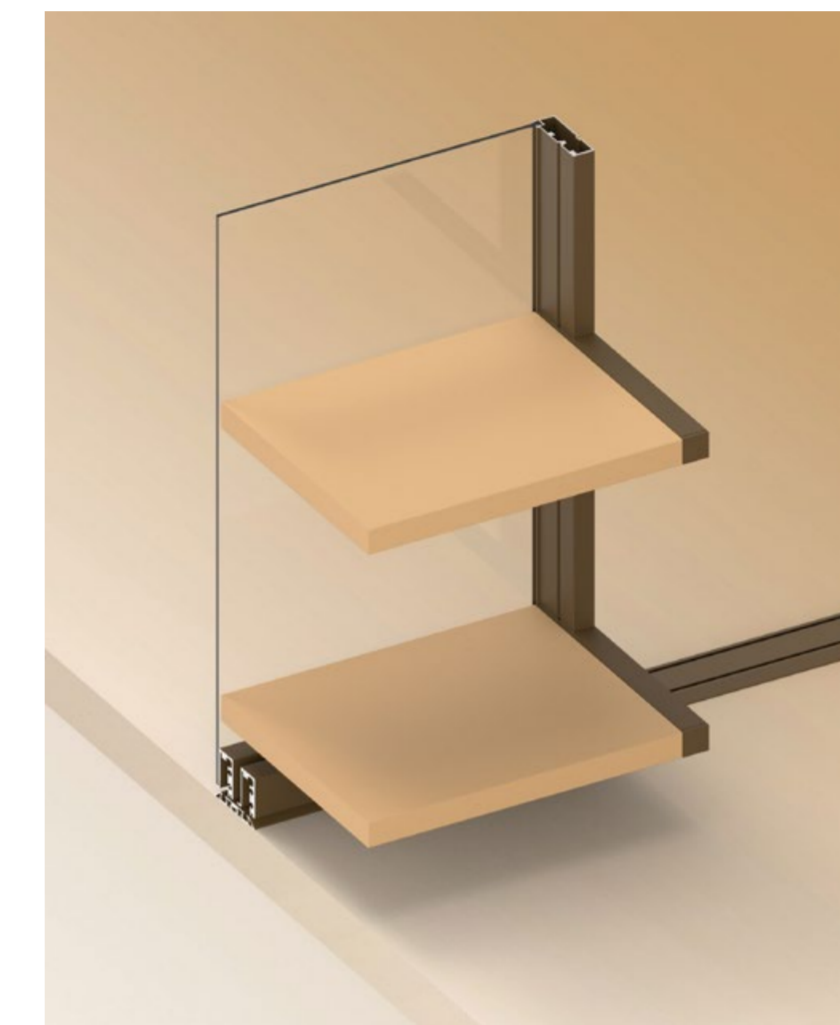
- › Walk-in Closet
- › **Free standing**

RI-VISTA



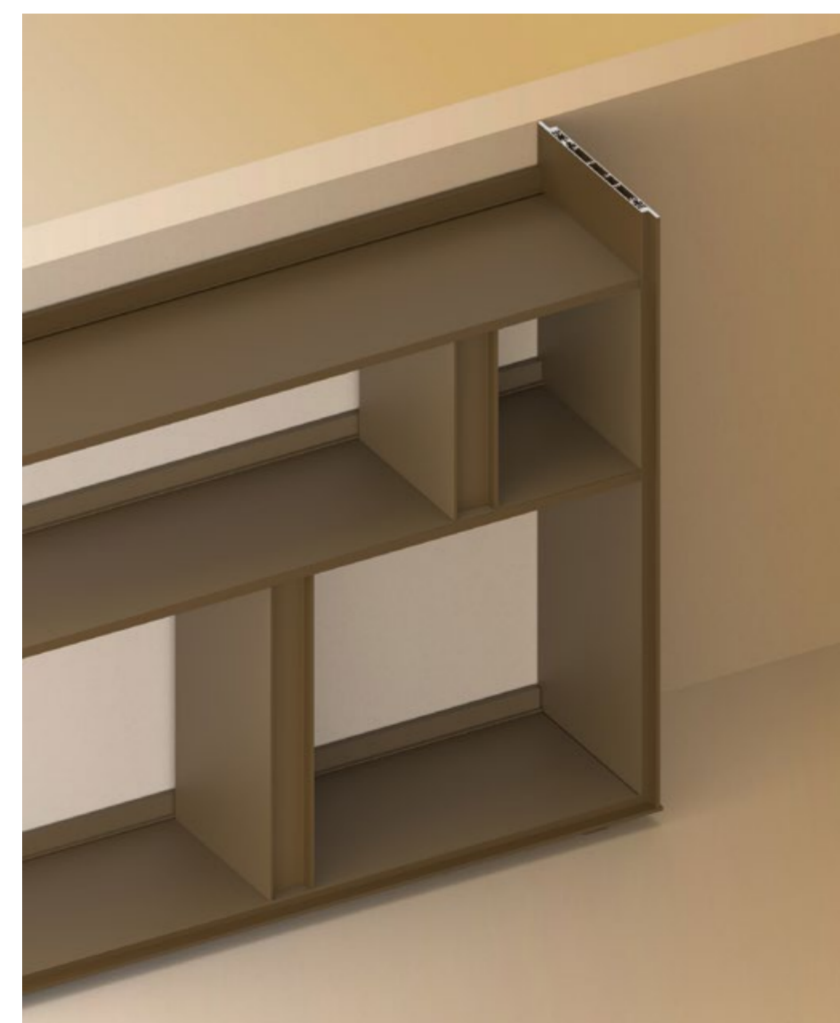
- › Walk-in Closet
- › **Wall mounted with base uprights**
- › Ceiling Upright

RI-VISTA



- › Walk-in Closet
- › **Sliding Wall**

LINE



- › Bookcase
- › **Wall upright**

RI-VISTA

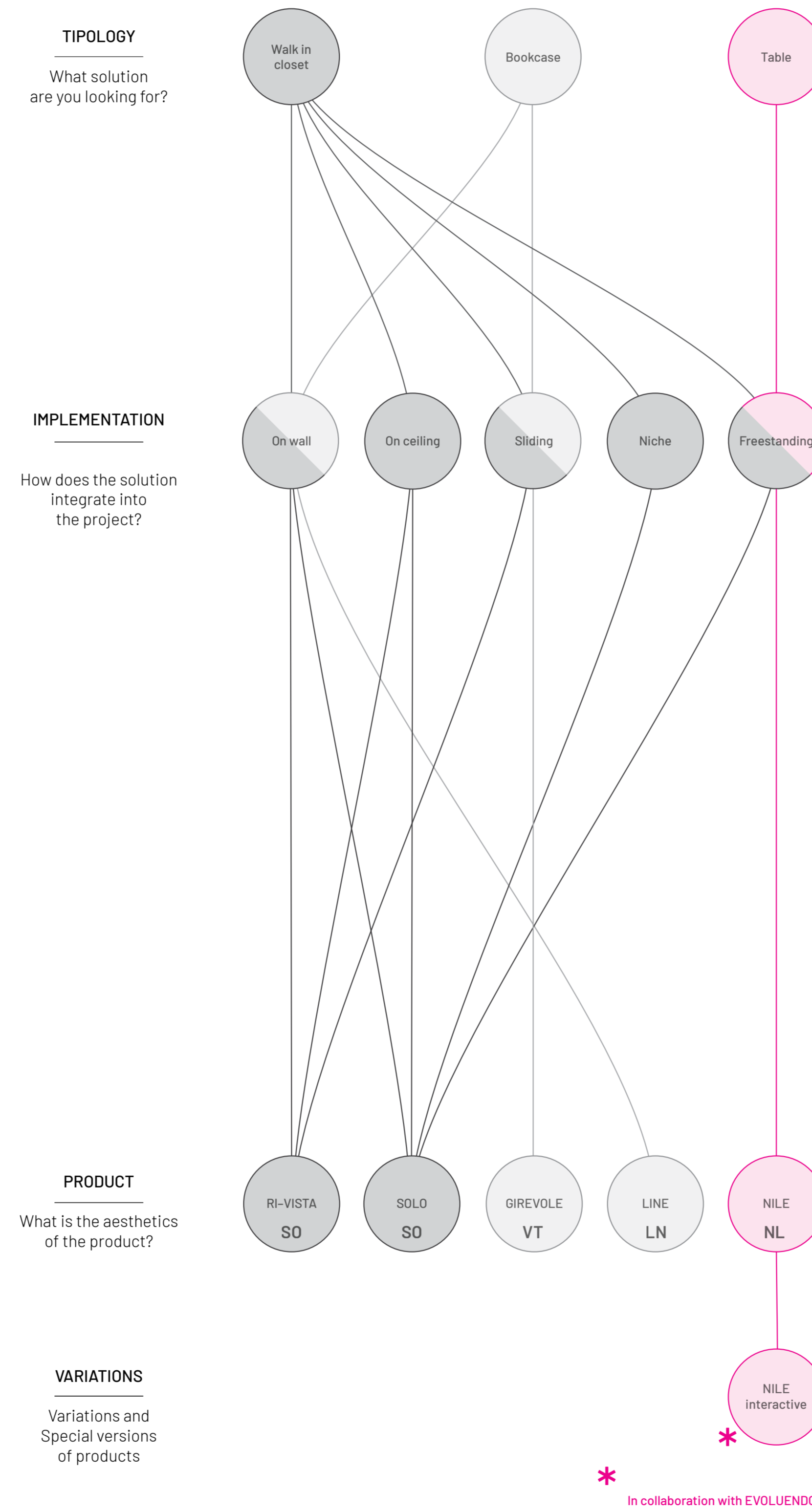


- › Bookcase
- › **Sliding Wall**

NILE



- › Tables
- › **Free standing**



www.albed.it

ALBED
MILANO 1964

Albed Flagship Store

Via Gonzaga, 7
Milano

Albed | Delmonte Srl

Via San Martino
Nova Milanese (MB)